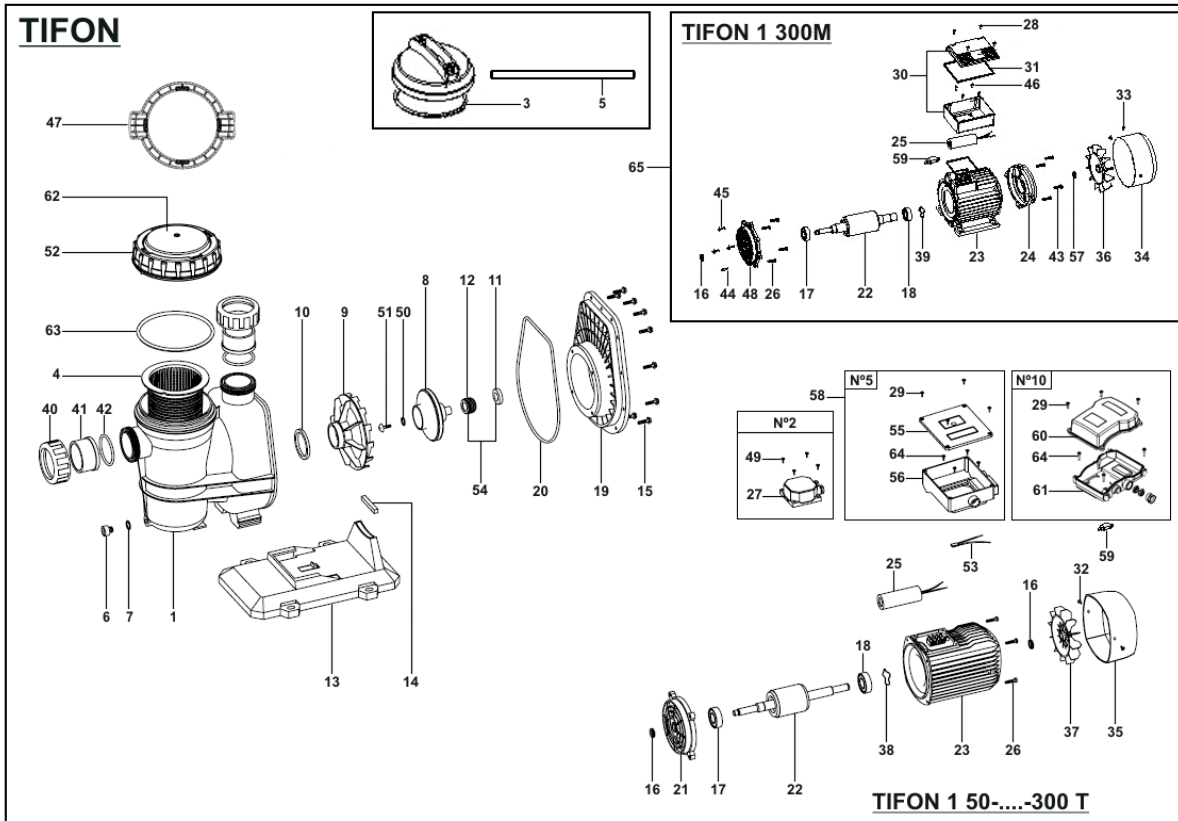


TIFON1 50/60Hz

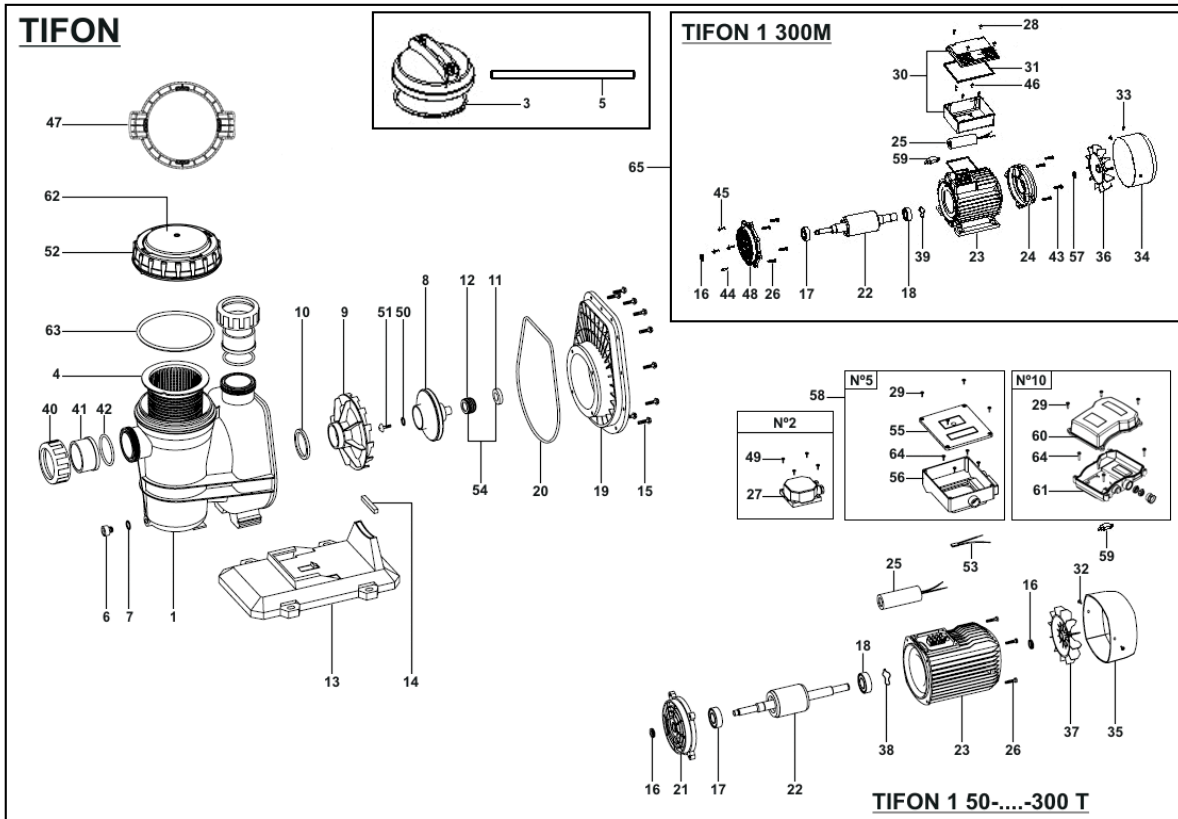


01/03/2011

Description	Modèle	Pos.	Code
CORPS DE POMPE COMPLET	TIFON1 (4/6/7/52/62/63) 2007	1	133382
JOINT DE COUVERCLE AM	TIFON1	3	4100001
FILTRE	TIFON1	4	11000821
CLE COUVERCLE AM (barr)	TIFON1	5	18000008
BOUCHON	TIFON1	6	10338
JOINT TORIQUE	TIFON1	7	390
TURBINE	TIFON1 200 50Hz	8	11100006
TURBINE	TIFON1 150 50Hz	8	11100005
TURBINE	TIFON1 100 50Hz	8	11100004
TURBINE	TIFON1 300M 50Hz	8	11000007
TURBINE	TIFON1 200M 50Hz	8	11000006
TURBINE	TIFON1 150M 50Hz	8	11000005
TURBINE	TIFON1 100M 50Hz	8	11000004
TURBINE	TIFON1 300 50Hz	8	11100082
TURBINE	TIFON1 50M 50Hz	8	11100127
TURBINE	TIFON1 75M 50Hz	8	11100128
TURBINE	TIFON1 50 50Hz	8	11100129

Description	Modèle	Pos.	Code
TURBINE	TIFON1 75 50Hz	8	11100130
DIFFUSEUR	TIFON1 50-200	9	11000009
DIFFUSEUR	TIFON1 300	9	11000010
JOINT	TIFON1	10	324
PIED	TIFON1 50...300T	13	11000011
SILENBLOCK	TIFON1 50...300T	14	9319
SILENBLOCK	TIFON1 300M	14	4100015
VIS	TIFON1	15	22
ANNEAU-ELASTIQUE	TIFON1 300M	16	4100118
ANNEAU-ELASTIQUE	TIFON1 50...300T (-2008)	16	342
ANNEAU-ELASTIQUE	TIFON1 50...300T (=+2008)	16	142698
ROULEMENT	TIFON1 6204 2RS ESPA	17	1964
ROULEMENT	TIFON1 300M 6205 ZZ ESPA	17	8000072456
ROULEMENT	TIFON1 300M 6205 ZZ FAG	17	8000072456
ROULEMENT	TIFON1 6202 2RS ESPA	18	1963
SUPPORT	TIFON1 (2007)	19	129421
JOINT DE CORPS	TIFON1	20	4100004

TIFON1 50/60Hz

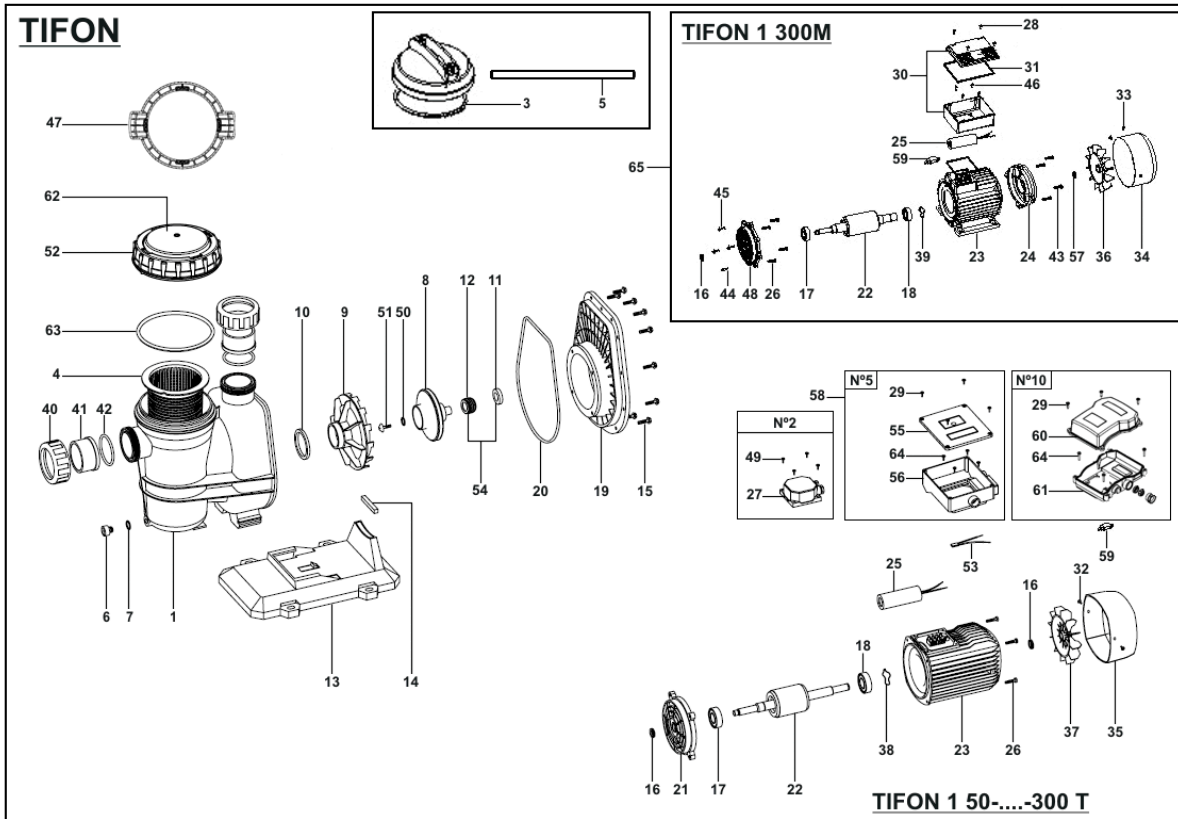


01/03/2011

Description	Modèle	Pos.	Code
BOUCLIER	TIFON1 50...300T (2008)	21	149001
AXE	TIFON1 100/150 T IE2	22	185901
AXE	TIFON1 100M	22	42200001
AXE	TIFON1 200 T IE2	22	186109
AXE	TIFON1 50/75 T	22	42200013
AXE	TIFON1 50/75M	22	42200012
AXE	TIFON1 300M (X-00125) 2008 et 20084215340013	22	1000021534
AXE	TIFON1 300M	22	1000021534
AXE	TIFON1 150M	22	42200003
AXE	TIFON1 200M	22	42200005
STATOR	TIFON1 300M 50Hz	23	97095
STATOR	TIFON1 50M/75M 50HZ	23	45000020
STATOR	TIFON1 200M 50Hz	23	45000092
STATOR	TIFON1 100M 50Hz	23	45000090
STATOR	TIFON1 150M 50Hz	23	45000091
STATOR	TIFON1 100/150 (230/400)	23	45000004
STATOR	TIFON1 50/75 (230/400)	23	45000021

Description	Modèle	Pos.	Code
STATOR	TIFON1 300 (230/400)	23	45000006
STATOR	TIFON1 200 (230/400)	23	45000005
BOUCLIER	TIFON1 300M	24	8000072347
CONDENSATEUR 25mF	TIFON1 50M/75M/100M/150M	25	21000005
CONDENSATEUR 30mF	TIFON1 200M (30mF)	25	21000006
CONDENSATEUR	TIFON1 300M (60mF)	25	8000015210
VIS	TIFON1	26	28
VIS	TIFON1 300M	26	1000011
KIT CB2 TRIPHASE	TIFON1 50T_300T	27	11100471
VIS	TIFON1 300M	28	1000050029
VIS	TIFON1 M	29	93
CAISSE	TIFON1 300M	30	11000161
VIS	TIFON1	32	71
VIS	TIFON1 300M	33	1000050047
COUVERCLE VENTILATEUR	TIFON1 300M	34	1006501300
COUVERCLE VENTILATEUR	TIFON1 50...300T	35	10528
VENTILATEUR	TIFON1 300M	36	8000072363

TIFON1 50/60Hz

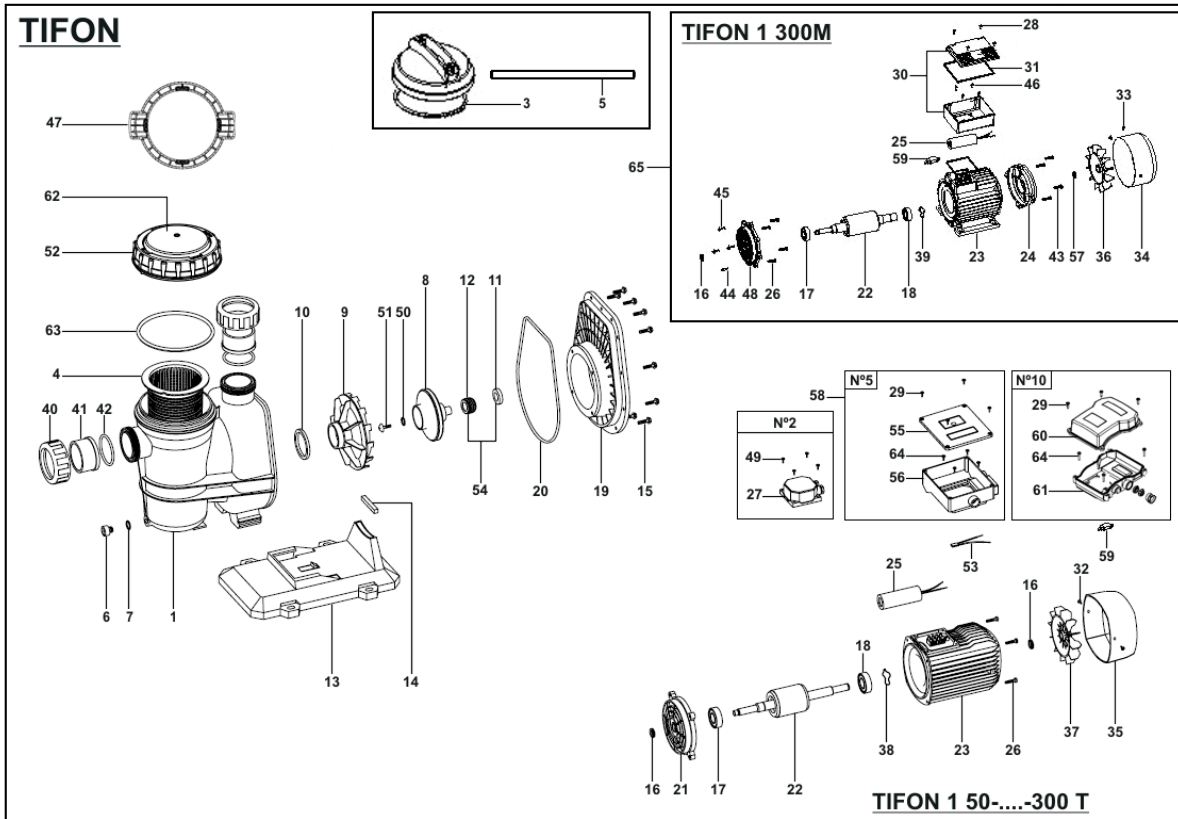


01/03/2011

Description	Modèle	Pos.	Code
VENTILATEUR	TIFON1 50...300T	37	1041
RONDELLE	TIFON1	38	142381
RONDELLE	TIFON1 300M	39	1000056003
ECROU D63	TIFON1	40	127465
RACCORD A COLLER D63	TIFON1	41	130146
JOINT TORIQUE	TIFON1	42	399
VIS	TIFON1 300M	43	1000050016
VIS	TIFON1 300M	44	1000050042
VIS	TIFON1 300M	45	1000050046
VIS	TIFON1 300M	46	95
CLE NM	TIFON1 (2007)	47	127994
SUPPORT MOTEUR-POMP	TIFON1 300M (+2009)	48	162603
VIS	TIFON1 T	49	6
JOINT TORIQUE	TIFON1 T	50	300
VIS	TIFON1 T	51	11000764
ECROU COUVERCLE NM	TIFON1 (2007)	52	133381
KLIXON	TIFON1 50/75M	53	10000241

Description	Modèle	Pos.	Code
KLIXON	TIFON1 100/150/200M	53	1478
GARNITURE MECANIQUE	TIFON (414+547) 2003	54	8000074574
GARNITURE MECANIQUE	TIFON (414+547+129906) 2007	54	8000074583
COUVERCLE CAISSE	TIFON1 50M-...-200M	55	128143
CAISSE	TIFON1 50M-...-200M sn011056	56	128138
ANNEAU-ELASTIQUE	TIFON1 300M	57	342
KIIT CB5 R/METRIQUE PP	TIFON1 50M-...-200M	58	2800128138
KLIXON	TIFON1 150M	59	10000005
KLIXON	TIFON1 100M	59	198808
KLIXON	TIFON1 300M	59	8000065015
KLIXON	TIFON1 200M	59	198808
COUVERCLE	TIFON 50-...-200M (2010)	60	135136
CAISSE	TIFON 50-...-200M sn<271461xxx	61	136411
COUVERCLE NM	TIFON1 (2007)	62	129423
JOINT COUVERCLE NM	TIFON1 (2007)	63	139235
VIS	TIFON 50-...-200M	64	1000119
STATOR	TIFON1 300M 50Hz COMPLET	65	49000004

TIFON1 50/60Hz



01/03/2011

Description	Modèle	Pos.	Code
PIED	TIFON1 300M (2511-...)	13	11000011
SILENBLOCK	TIFON 300M	14	6047
ROULEMENT	TIFON 300 M 620 522 ESPA	18	8000072456
JOINT	TIFON1 300 M	31	1000004415
STATOR	TIFON1 300M 50Hz COMPL	25	165758
ROULEMENT	TIFON1 6204 2RS FAG	17	8000072536
AXE	TIFON1 300 T IE2	22	186133
CONDENSATEUR	TIFON1 300 M	27	8000015410
CAISSE	TIFON1 50-200M/T sn>2714-xxxx	13	11100478
CAISSE	TIFON1 300T sn>2714-xxxx	27	11100478
CAISSE	TIFON1 50-200M sn>2714-xxxx	14	133890