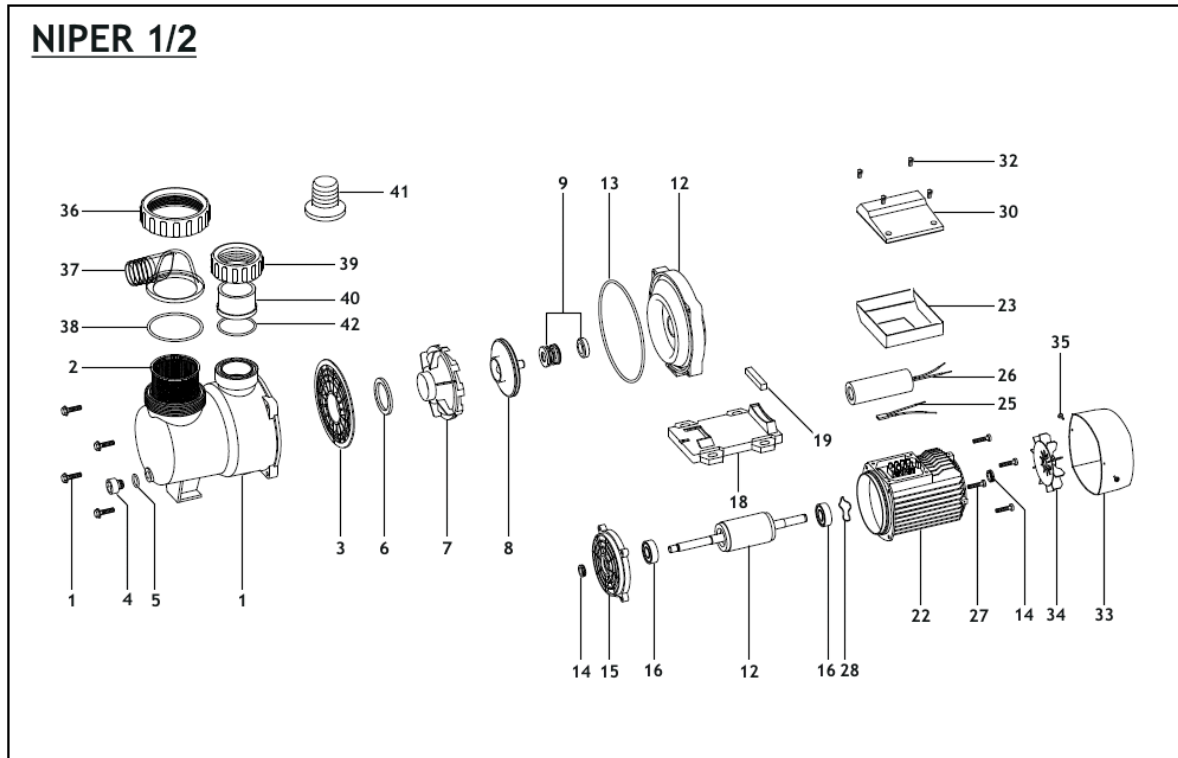


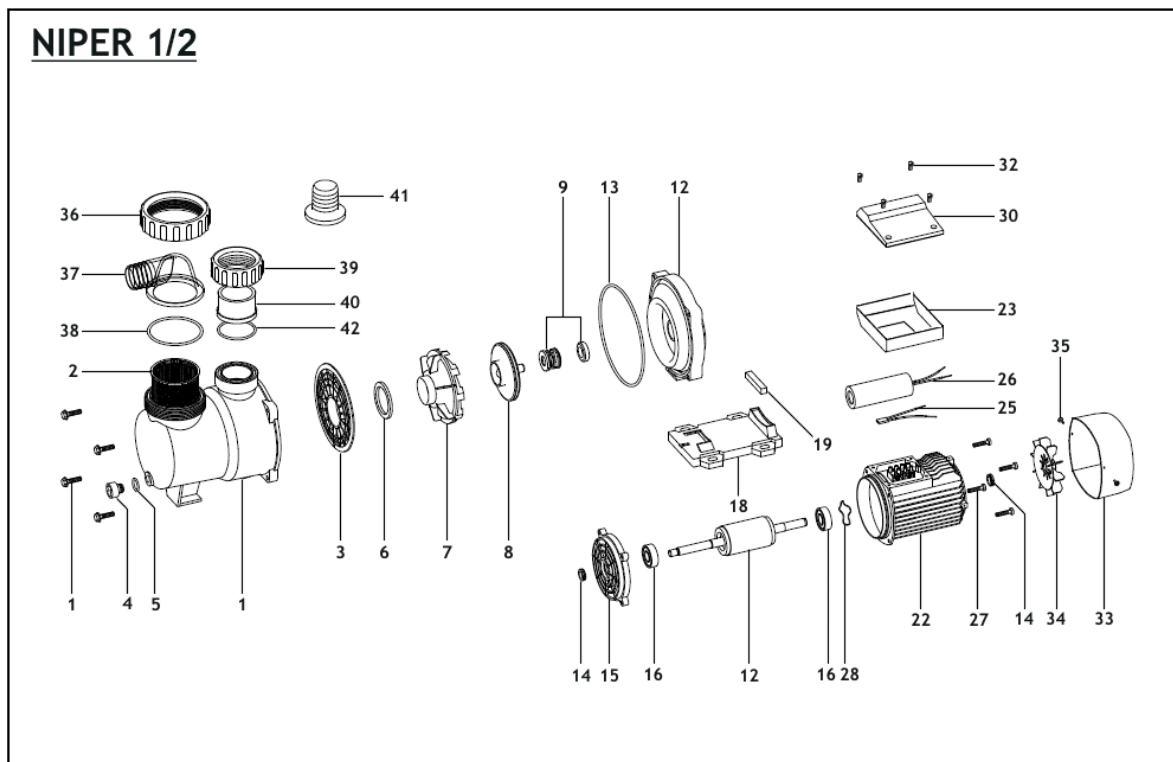
# NIPER 1/2 50/60Hz



Description	Modèle	Pos.	Code
CORPS	NIPER	1	10401
FILTRE	NIPER	2	1000010304
SEPARATEUR	NIPER	3	10305
BOUCHON	NIPER	4	10150
JOINT	NIPER	5	345
JOINT	NIPER	6	6017
DIFFUSEUR	NIPER	7	10498
TURBINE	NIPER2 450M 230V 50Hz	8	10497
TURBINE	NIPER1 350M 230V 50Hz	8	10495
TURBINE	NIPER2 400M 230V 50Hz	8	10496
GARNITURE MECANIQUE (NIPER2)	NIPER2	9	8000072594
VIS	NIPER	11	13
VIS	NIPER (MODIF.2008)	11	125868
SUPPORT	NIPER (MODIF.2008)	12	146122
JOINT TORIQUE	NIPER	13	6018
ANNEAU-ELASTIQUE	NIPER	14	341
ANNEAU-ELASTIQUE	NIPER (mod.2009)	14	142698

Description	Modèle	Pos.	Code
BOUCLIER	NIPER (mod.2009)	15	154447
PIED	NIPER1	17	10307
PIED	NIPER2	18	10493
SILENBLOCK	NIPER	19	6016
VIS	NIPER1	20	69
AXE	NIPER2 450M	21	5981
AXE	NIPER1 350M/2 400M	21	5980
STATOR	NIPER2 400M 230V 50Hz	22	43000001
STATOR	NIPER1 350M 50Hz (-2006)	22	43000321
STATOR	NIPER1 350M 230V 50Hz +2	22	43000003
STATOR	NIPER2 450M 230V 50Hz	22	43000004
CAISSE	NIPER	23	130784
JOINT	NIPER	24	122968
KLIXON	NIPER2 450 M 50 Hz	25	14117
CONDENSATEUR 6mF 300V NIPER2	NIPER2 400M	26	21000001
CONDENSATEUR 6mF 300V NIPER1	NIPER1 350M/ 50/60Hz	26	21000001
VIS	NIPER (MODIF.2008)	27	138312

# NIPER 1/2 50/60Hz



Description	Modèle	Pos.	Code
VIS	NIPER	27	28
RONDELLE	NIPER	28	190252
COUVERCLE	NIPER 50Hz	30	10516
VIS	NIPER	32	93
COUVERCLE VENTILATEUR	NIPER	33	10394
VENTILATEUR	NIPER	34	125402
VIS	NIPER	35	71
ECROU COUVERCLE	NIPER	36	10526
RACCORD COUDE	NIPER	37	10302
JOINT TORIQUE	NIPER	38	80000162
ECROU	NIPER	39	10464
RACCORD A COLLER D.50	NIPER	40	10463
RACCORD CANNELE	NIPER	41	10475
JOINT TORIQUE	NIPER	42	306
KLIXON	NIPER 1/2 350M/400M 50/60Hz	25	10000120
ROULEMENT 6201 2RS	NIPER 1/2 50/60Hz	16	1962
CONDENSATEUR 12 MF	NIPER2 450 M	26	21000003