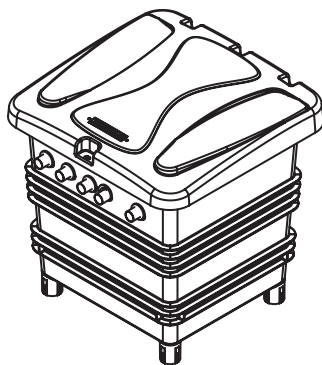
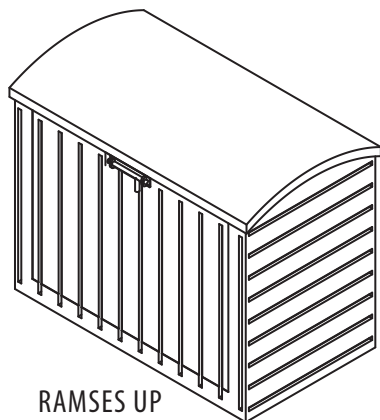


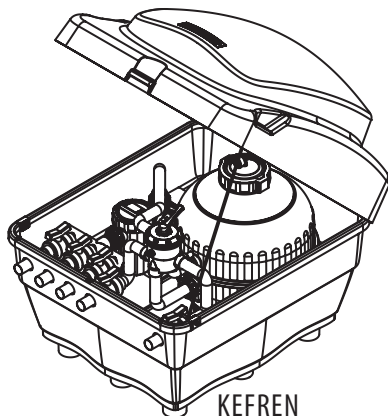
KEOPS



RAMSES



RAMSES UP



KEFREN

<b>English - COMPACT FILTRATION HOUSING INSTRUCTION AND MAINTENANCE MANUAL</b> .....	3
<b>Français - LOCAUX COMPACTS DE FILTRATION MANUEL D'INSTRUCTIONS ET D'ENTRETIEN</b> .....	17
<b>Español - CASETAS DE FILTRACIÓN COMPACTAS MANUAL DE INSTRUCCIONES Y MANTENIMIENTO</b> .....	31
<b>Italiano - LOCALI TECNICI COMPATTI PER GRUPPI FILTRANTI MANUALE DI USO E MANUTENZIONE</b> .....	45
<b>Deutsch - KOMPAKTER FILTERKASTEN BEDIENUNGS- UND WARTUNGSANLEITUNG</b> .....	59
<b>Português - CAIXAS DE FILTRAÇÃO COMPACTAS MANUAL DE INSTRUÇÃO E MANUTENÇÃO</b> .....	73
<b>Ελληνικά - ΣΥΜΠΑΓΕΙΣ ΘΑΛΑΜΟΙ ΦΙΛΤΡΑΝΣΗΣ ΕΓΧΕΙΡΙΔΙΟ ΟΔΗΓΙΩΝ ΧΡΗΣΗΣ ΚΑΙ ΣΥΝΤΗΡΗΣΗΣ</b> .....	87



**This manual basic information on the safety measures to be adopted during installation, maintenance and start-up. The fitter and the user must therefore read the instructions before installation and start-up.**

The manual can be downloaded as a PDF file from the website: **[www.astralpool.com](http://www.astralpool.com)**

## 1. GENERAL SAFETY

The following symbols are used in this manual:



**DANGER:** indicates a dangerous situation that could result in serious injury or death if not avoided.



**WARNING:** indicates a dangerous situation that could result in serious injury or death if not avoided.



**CAUTION:** indicates a dangerous situation that could result in serious injury or death if not avoided.



**INFORMATION:** is used to refer to matters not related to personal injury.

## GENERAL SAFETY RECOMMENDATIONS:



### DANGER

- Anyone who assembles this unit must have the qualifications required to do so.
- All contact with electric current must be avoided.
- The regulations in force on the prevention of accidents must be observed.
- The installation must comply with the standards of IEC 364-7-702: INSTALLATION.
- The installation must comply with all local and/or national regulations in force.
- The COMPACT UNIT must be disconnected from the power supply whenever any maintenance jobs or the replacement of spare parts must be carried out.
- Do not handle the unit if you are standing in water.
- This unit **MAY NOT BE CONNECTED TO A STANDARD SOCKET.**
- This unit **MUST BE PROPERLY WIRED.** This must be carried out by a specialist in compliance with the regulations in force on electrical safety in the country of installation.
- The power supply to the housing unit must **ALWAYS BE PROTECTED BY A 30 Ma RESIDUAL-CURRENT CIRCUIT BREAKER.**
- There must be **AN EARTH CONNECTION.**
- Use a sufficiently **THICK CABLE** for the housing's power supply and its distance from the control panel.
- Fit a lock or padlock to prevent children or unauthorized persons from getting into the housing.
- **ALWAYS SWITCH THE PUMP OFF WHEN CHANGING THE POSITION OF THE SELECTOR VALVE.**
- Do not open the cover of the compact unit if it is likely to be exposed to wind or strong drafts.
- Under no circumstances may the manufacturer be held liable for the assembly, installation or start-up of any electrical components that have not been made by it.

## 2. INSTALLATION

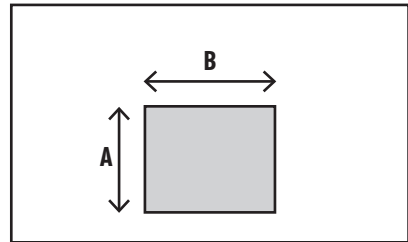
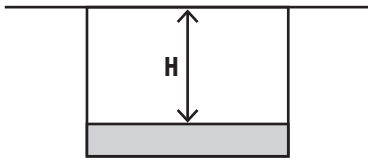
### 2.1. LOCATION

It is recommended that the unit be placed at least 3.5 m from the edge of the pool, and in compliance with the regulations in force at any given time.

### 2.2. PROCEDURE

Dig a hole large enough for the housing, as well as for the water pipes and electrical wiring required. (Only applies to RAMSESE, KEOPS and KEFREN housing)

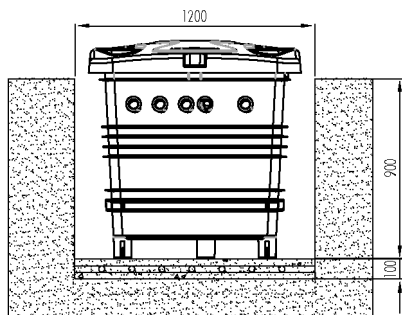
- Level the bottom of the hole and compact the soil.
- Put the housing in place.
- Fit the water pipes, including the waste water pipe, and the electrical wiring protected by corrugated conduit.
- For in-ground housing, put in a concrete base that just covers the legs (15–20 cm).
- Fill the remaining space in the hole with gravel for drainage and compact it. Leave a slight incline at the top to prevent flooding.



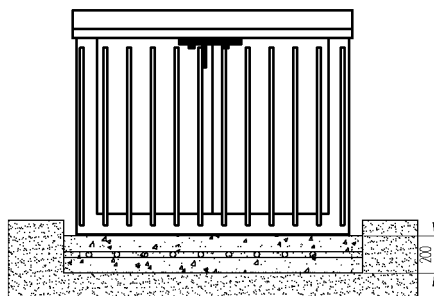
	<b>A</b>	<b>B</b>	<b>H</b>
<b>KEOPS</b>	113 cm	120 cm	95 cm
<b>KEFREN</b>	115 cm	115 cm	60 cm
<b>RAMSESE</b>	109 cm	107 cm	90 cm
<b>RAMSESE UP</b>	120 cm	146 cm	-

## EXCAVATION WORK

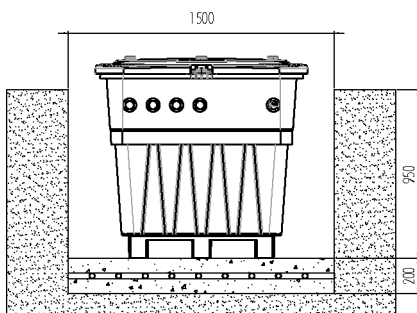
### RAMSES



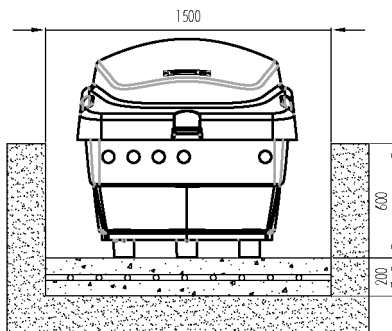
### RAMSES UP



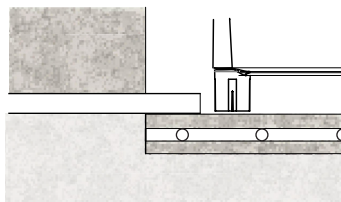
### KEOPS



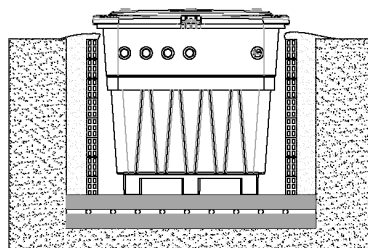
### KEFREN



Dig out underground channels in a bed of sand for drainage down the main drain



For in-ground housing, build a retaining wall filled with gravel for drainage, with an incline at the top to prevent flooding in the hole dug out.

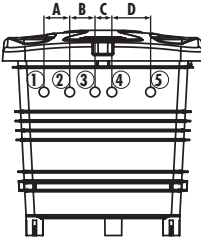
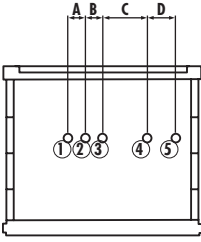
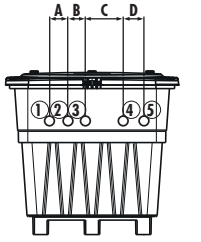
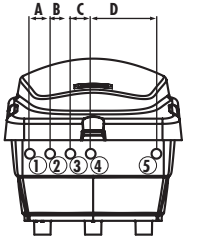


For KEOPS housing on soft soil, fit inner reinforcement (ref. 31105R1000)

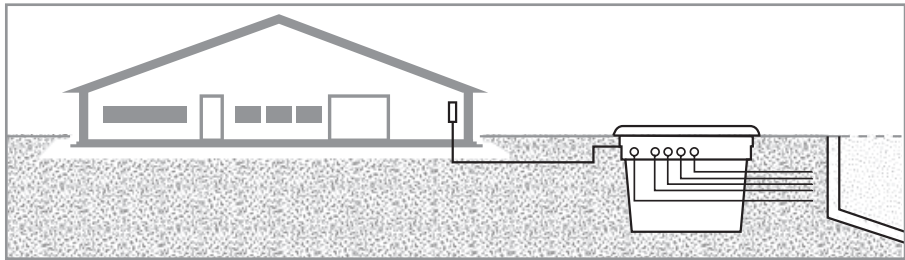







Compact the soil before putting the housing on the ground. Place concrete slabs on the bottom to make the housing more stable.

### 2.3. PIPING AND VALVES

RAMSES		RAMSES UP		KEOPS		KEFREN									
															
A	B	C	D	A	B	C	D	A	B	C	D	A	B	C	D
180 mm	180 mm	130 mm	280 mm	132 mm	132 mm	295 mm	205 mm	132 mm	132 mm	282 mm	164 mm	132 mm	132 mm	132 mm	428 mm

IN			OUT	
1. SKIMMER (Ø50)	2. MAIN DRAIN (Ø50)	3. SUCTION INLET (Ø50)	4. WASTE WATER PIPE (Ø50)	5. RETURN TO POOL (Ø50)



-  To connect the piping, glue it to the fittings supplied with the pump: the fittings to the pump's suction and return inlets are threaded and come with watertight seals to prevent leaking.
-  Ensure the return pipes are fitted completely perpendicular to and perfectly aligned with the inlet to be connected to prevent the pump and the piping being subject to external forces, which besides making assembly difficult could even break them.
-  Fit the suction pipes slightly inclined towards the pump (2%) to prevent pockets of air from forming.
-  For the pump to work properly, prime the pump's prefilter until the water flows out of the suction conduit.
-  To prevent damage during shipping, the filtration housing is disconnected from the pump's waste water pipe. It must be glued before proceeding with its external connection

## 2.4. WIRING

Make a hole in the side of the housing into which the power supply is to be fed of the same diameter as the cable to be fitted. It is recommended that a H07-RNF cable be used. Calculate the diameter of the cable based on power consumption and voltage drop. Fit cable glands to the cable inlet suitable for the size of the cable. It is recommended that the cable be protected with a suitable conduit throughout its length.



This unit **MAY NOT BE CONNECTED TO A STANDARD SOCKET.**



This unit **MUST BE PROPERLY WIRED.** This must be carried out by a specialist in compliance with the regulations in force on electrical safety in the country of installation.



The unit must be connected to a 230 V AC mains supply at 50 Hz.



The power supply to the housing unit must **ALWAYS BE PROTECTED BY A 30 Ma RESIDUAL-CURRENT CIRCUIT BREAKER.**



There must be **AN EARTH CONNECTION.**



A multiple disconnection device must be used with a separation of at least 3 mm between contacts in order to disconnect the filter from the mains.



Use a sufficiently **THICK CABLE** for the housing's power supply and its distance from the control panel.



The electrical installation must comply with **STANDARD VDE 0100, Part 702.** The installation must also comply with all local and/or national regulations in force.

To complete the electrical installation, ascertain whether there is a distribution board. If there is a distribution board, proceed to point 2.4.1, "With distribution board inside the housing". If there is not a distribution board, proceed to point 2.4.2, "Without distribution board".



Whilst connecting the power cables to the unit, take special care in the layout of the wiring inside the junction box, check that no pieces of cable have been left inside after closing it and that the earth conductor has been properly connected.



Particular attention must be paid to ensure that no water whatsoever is able to get into the motor or any of the live electrical components.



Should the intended use not be as described, further adjustments may have to be made and additional technical standards may apply.



It is recommended that no holes be made in the filter housing as water in the surrounding land may penetrate any holes buried underground.

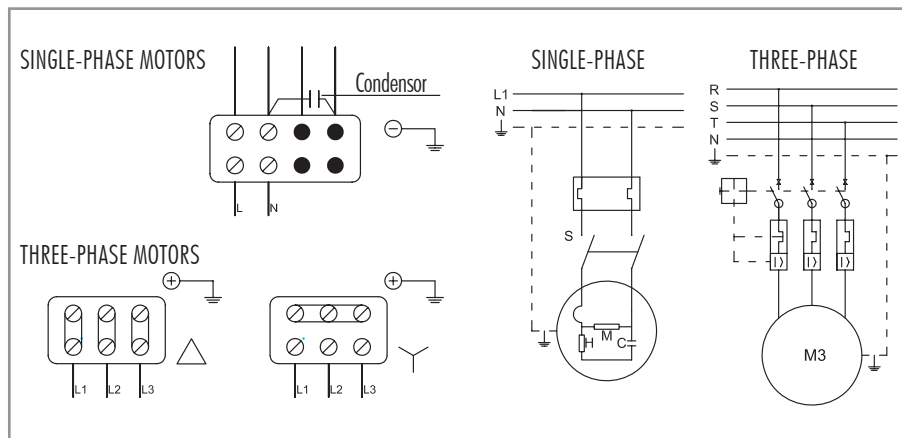
### 2.4.1. WITH DISTRIBUTION BOARD INSIDE THE HOUSING

For safety, place terminal strips of a suitable size on the ends of the cables to be connected.

**TIMER, layout of the distribution board WITH/WITHOUT TRANSFORMER**

### 2.4.2. WITHOUT DISTRIBUTION BOARD

The following diagram shows the terminal board (junction box) of the pump, which may be SINGLE-PHASE OR THREE-PHASE.

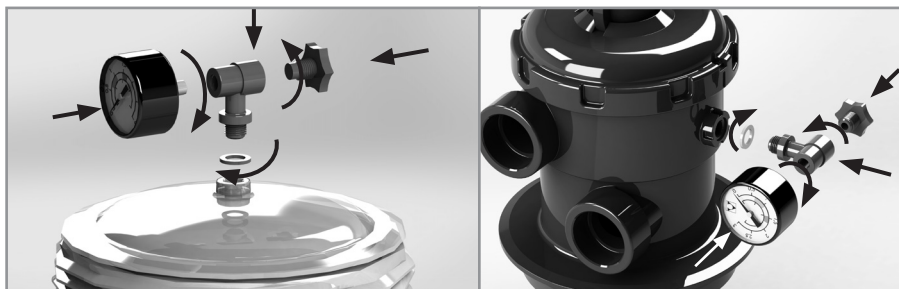


This unit **MUST BE PROPERLY WIRED**. This must be carried out by a specialist in compliance with the regulations in force on electrical safety in the country of installation.



### 3. START-UP

1. Take the cover(s) off the housing in order to begin the start-up. Unscrew the 6 screws that join the cover to the hinge, before lifting it off.
2. Open the filter and fill with water half way up. Protect the diffuser inside the filter so that no sand can get into it.
3. Fill the filter with silex sand of a 0.4–0.8 grain size with the amount shown on the label or 2/3 of the way up the total filter height.
4. Assemble the pressure gage, the seal and the air bleed cap. It is not necessary to use Teflon seal tape, as the seal makes this joint watertight. Do not use any tools to tighten the pressure gage's T-piece. Tightening it by hand will suffice.




**Pressure gage assembly (with side valve)**


**Pressure gage assembly (with top valve)**

5. Clean any remaining sand off the opening and the cover, as well as off the seal housing and close the filter. For further information, see the filter's manual.
6. If the housing were above the pool's water level, the pump must be primed by opening the prefilter and filling it with water.
7. If the housing were below the pool's water level, just open the pressure and check valves, and open the air bleed valve until the filter and pump are full of water.
8. Place the valves in the following positions.
  - SKIMMER: OPEN
  - MAIN DRAIN: OPEN
  - POOL CLEANER: OPEN
  - CHECK VALVE: OPEN
  - SELECTOR VALVE: BACKWASH
9. Turn the filter on and backwash it. Backwash until crystal clear water can be seen through the selector valve's sight glass.
10. Turn the pump off. Put the selector valve in the rinse position and turn on the pump for 15 seconds. Turn the pump off again and put the selector valve in the filtration position.

11. Turn the pump on.
12. Put the housing cover(s) back on by screwing the screws back in at the rear of the cover(s).

 Turn the pump off whenever the selector valve is being handled. Otherwise the filter and the whole installation could be damaged.

 It is recommended that a lock or padlock be fitted to prevent children or unauthorized persons from getting into the housing.

 Before switching the unit on, check the calibration of the motor protection circuit breakers, and that protection devices against electric shocks and mechanical failures are properly positioned and fitted.

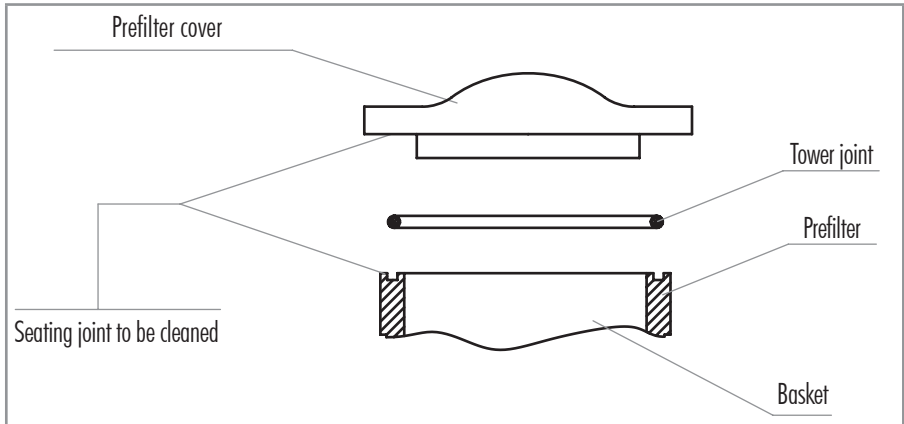
 Do not start the pump up if there is no water in the pool.

 Do not run the filtration unit if the water level does not cover the skimmer's flap.

### 3.1. PUMP

Before starting the pump up, perform the following operations:

Take the prefilter cover off.



Fill the pump with water through the prefilter until it flows out of the suction conduit.

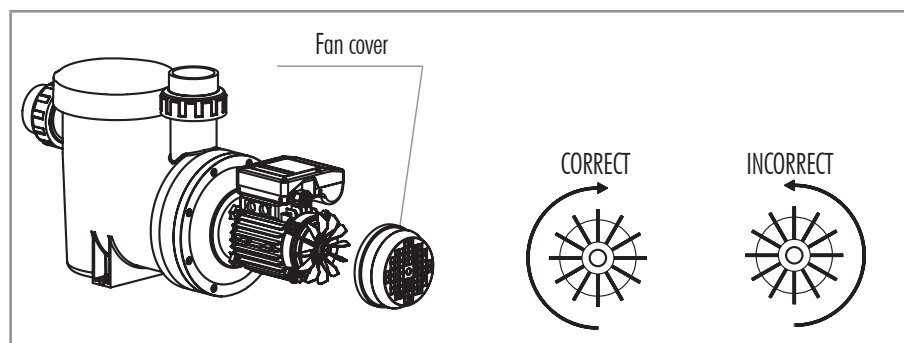
Put the basket back inside the prefilter, if it had to be removed to perform the previous operations, so that large particles are unable to get inside the pump that could block it.

Check that the mains voltage and frequency correspond to the figures displayed on the pump's rating plate.

Put the prefilter cover in place and close it, without forgetting to place the seal in its housing.

Under no circumstances should the pump be run without having filled the prefilter with water beforehand, otherwise this could damage the mechanical seal, which in turn will cause water leakage.

Check that the motor rotates in the right direction by observing the fan at the back of the motor through the sight glass on the fan's cover.



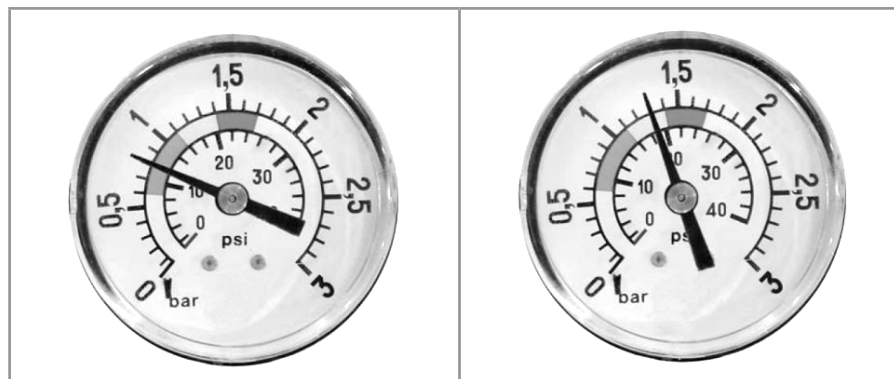
Open all the valves and turn the motor on.

Self-prime the piping and wait for a reasonable amount of time for this to be completed.

## 4. OPERATION

### 4.1. FILTRATION

Turn the lever on the selector valve to the "FILTRATION" position while the pump is off. Start the pump. While it is working it is advisable to look at the pressure gage from time to time, as the reading given will show the filter's saturation level.



**0.8 kg/cm<sup>2</sup> – 11.4 PSI:**  
normal pressure at the start of a filtration cycle

**1.3 kg/cm<sup>2</sup> – 18.5 PSI:**  
this pressure reading shows that the filter should be backwashed

## 4.2. BACKWASHING

The solid particles in a pool that are collected in the main drain and skimmers are retained by the sand in the filter and, therefore, the amount of water that passes through it constantly decreases. This is why the pressure gradually rises. When the pressure reaches  $1,3 \text{ kg / cm}^2$ , a "BACKWASH" must be performed.

### This is done as follows:

The selector valve should be set to the "BACKWASH" position and the pump will start to work. Let it run for 2 minutes. The selector valve's sight glass should nevertheless be observed to check that this is the right time, as the process will depend on how much dirt has built up in the filter.

## 4.3. RINSING

After having performed a filter "BACKWASH" and before turning the filtration system on, it is recommended to "RINSE" the filter to prevent the initially cloudy water following the backwashing process from flowing directly into the pool. To do so, turn the valve to the "RINSE" position while the pump is off. Then let the pump run for approximately 1 minute. The selector valve's sight glass should nevertheless be observed to check that this is the right time, as the process will depend on how much dirt has built up in the filter.

## 4.4. RECIRCULATION

When the selector valve is in this position, the water from the pump circulates directly into the pool without going through the filter.

## 4.5. DRAINING

Should there not be a drain at the bottom of the pool, it can be drained through the filter pump by setting the valve to the "DRAIN" position. To perform this operation, open the valves on the main drain and close the skimmers and pool cleaner.

## 4.6. CLOSED

This position stops water from going into the filter.

# 5. MAINTENANCE

## 5.1. FILTER

Do not use solvents to clean the filter, as this could damage the gloss coating on the filter housing.

Replace any damaged components and seals whenever required.

Backwash and rinse the filter as per the operating instructions.

To get the most out of the sand, clean it once a year using solid or liquid ASTRAL Filnet. It is recommended that the sand be changed approximately every 3 years.

### Winterizing:

In order to prevent damage to the filter over winter, the following operations should be performed:

- Backwash and rinse the filter as per the above instructions.
- Drain all the water out of the filter.
- Take the cover of the filter off so that it is well ventilated while not being used.
- When the filter is to be put back into operation, follow the START-UP instructions.

## 5.2. PUMP

Clean the prefilter basket regularly to avoid pressure drops. Do not hit the basket during the cleaning process as this could potentially damage it.

If the pump stops, check that the motor's amp reading while in operation is the same or below that displayed on the manufacturer's rating plate, failing which contact your nearest approved service engineer.

Drain the pump in the event that it will spend some time without running, i.e., mainly in cold countries where there is also a risk of freezing temperatures.

To drain the pump, remove the air purge cap (10).

Every time the prefilter is opened, clean off any dirt on the seal and its housing to ensure the cover is watertight when closed.

The pump components that are prone to wear and tear through routine use must be regularly replaced for the pump to maintain good performance. The pump's perishable components and consumables are listed in the table below along with their estimated service life.

COMPONENT DESCRIPTION	ESTIMATED SERVICE LIFE
O-rings and seals in general	1 year
Mechanical seal	1 year
Bearings	1 year

The estimated service life of the above components has been calculated based on the product's normal conditions of use in a standard installation.

Follow the instructions in the installation manual for the pump to run to the end of its service life.

### 5.3. OTHER COMPONENTS



For the rest of the components in the housing, check the user and maintenance manual for each component and proceed as instructed in order to ensure that the unit as a whole runs safely to maximum capacity.



Avoid absolutely all contact, even accidental, with the unit's moving parts.



Wait until the unit has completely stopped before attempting to carry out any maintenance work.



Before carrying out any maintenance work on electrical or mechanical parts, ensure that the unit has been disconnected from the mains and that start-up devices have been blocked.



Ensure that the ground is dry before touching any electrical components.



Do not handle the unit if you are standing in water.

## 6. TROUBLESHOOTING TABLE

PROBLEM	REASONS	SOLUTIONS
The unit does not filter but it recirculates the water.	The filter is operating without the cartridge.	Check that the filter cartridge is correctly installed.
The unit does not circulate the water.	No electrical power.	Check the electrical connection and ensure that electricity reaches the socket.
	Motor protector is not properly adjusted.	Check the pump's consumption and adjust the motor protector on the control panel.
The unit only circulates a little water.	The filter is saturated.	Perform a filter backwash.
	Prefilter of the pump or skimmer is blocked.	Clean the pump prefilter or the skimmer basket.
	Air enters the suction pipe.	Check the condition of connectors and suction pipe joints.
	Water level of the swimming pool is insufficient.	Fill the swimming pool until the water covers half the hinged gate of the skimmer.
	Incorrect voltage.	Check that the mains voltage matches the voltage indicated on the motor's rating plate.
	Pressure drops in suction.	Check that no elements causing are abnormal pressure drops.
The pump does not prime.	Air intake.	Check all pipe connections and the pump cover. Fill the prefilter of the water pump.
The housing fills with water.	The drain of the box has not been installed.	Install a drain to remove water from the box.







**Le manuel que vous avez entre les mains contient des informations importantes relatives aux mesures de sécurité à adopter pour l'installation, la maintenance et la mise en service. Il est pour cela indispensable que l'installateur et l'utilisateur lisent les instructions avant de passer au montage et à la mise en marche.**

Le manuel peut être téléchargé sous format pdf depuis la page suivante: [www.astralpool.com](http://www.astralpool.com)

## 1. SÉCURITÉ GÉNÉRALE

Les symboles employés dans ce manuel sont les suivants :



**DANGER** indique une situation dangereuse, pouvant entraîner des blessures graves ou la mort si rien n'est fait pour l'éviter.



**AVERTISSEMENT** indique une situation dangereuse qui pourrait entraîner des blessures graves ou la mort si rien n'est fait pour l'éviter.



**PRÉCAUTION** indique une situation dangereuse pouvant entraîner des blessures légères ou modérées.



**INFORMATIONS** est employé pour faire référence à des questions non relatives à des dommages corporels.

## CONSIGNES GÉNÉRALES DE SÉCURITÉ :



### DANGER

- Les personnes chargées du montage doivent avoir la qualification nécessaire pour ce type de travaux.
- On évitera d'entrer en contact avec le courant électrique.
- Il convient de respecter les règles en vigueur en matière de prévention des accidents.
- À cet effet, les règles IEC 364-7-702 devront être respectées : INSTALLATIONS
- L'installation devra répondre à la réglementation locale et/ou nationale applicable en vigueur.
- Toute opération d'entretien ou de remplacement des pièces doit être réalisée lorsque le COMPACT est débranché du réseau.
- Ne pas manipuler avec les pieds mouillés.
- Cet appareil NE PEUT PAS ÊTRE BRANCHÉ À UNE PRISE DE COURANT SIMPLE.
- Cet appareil REQUIERT UNE INSTALLATION ÉLECTRIQUE ADAPTÉE. Celle-ci devra être réalisée par un spécialiste suivant les réglementations électriques de sécurité en vigueur dans chaque pays.
- L'alimentation électrique du local technique doit TOUJOURS ÊTRE PROTÉGÉE PAR UN DIFFÉRENTIEL DE 30 MA ET UN INTERRUPTEUR MAGNÉTOHERMIQUE.
- Il est indispensable D'INSTALLER UNE PRISE DE TERRE.
- Utiliser un CÂBLE À SECTION adapté à la puissance du local et à la distance du tableau.
- Poser une serrure ou un cadenas afin que les enfants ou des personnes non autorisées ne puissent accéder à l'intérieur du local technique.
- TOUJOURS RÉALISER LES CHANGEMENTS DE POSITION DU SÉLECTEUR AVEC LA POMPE À L'ARRÊT.
- Ne pas ouvrir le couvercle du local compact s'il risque d'être soumis à des vents ou des courants d'air importants.
- Le fabricant dégage toute responsabilité pour le montage, l'installation, la mise en marche, toute manipulation ou ajout de composants électriques n'ayant pas été réalisés dans ses installations.

## 2. INSTALLATION

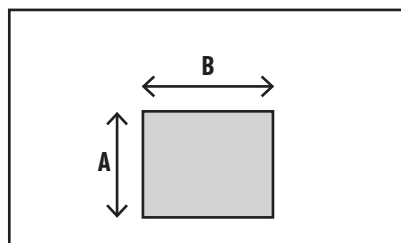
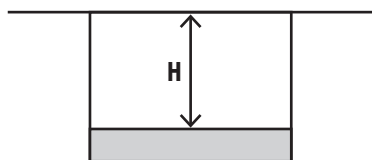
### 2.1. LIEU

Il est conseillé de placer l'appareil loin de la piscine, à une distance de 3,5 m du bord de la piscine, et toujours, selon la réglementation applicable en vigueur.

### 2.2. PROCÉDURE

Réaliser l'excavation pour loger le local technique et les conduites hydrauliques et électriques nécessaires. (Ne s'applique qu'aux locaux techniques RAMSES, KEOPS et KEFREN).

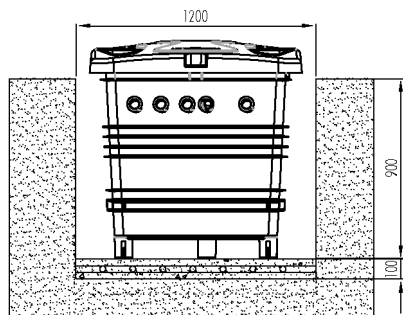
- Nivelier et compacter la base.
- Placer le local technique.
- Installer les tuyaux hydrauliques, en y incluant l'évacuation et l'installation électrique protégée avec un tuyau ondulé.
- Pour les locaux enterrés, faire une base en béton pour recouvrir les pieds (15-20 cm).
- Remplir l'espace restant dans l'orifice avec du gravier pour faciliter le drainage et le compactage. Confectionner une rampe légère dans la partie supérieure afin d'éviter les inondations.



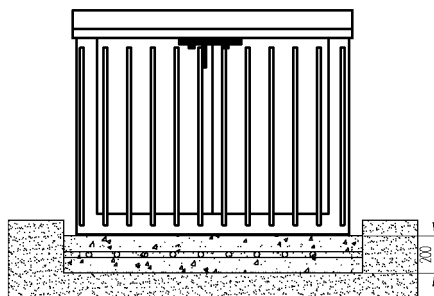
	<b>A</b>	<b>B</b>	<b>H</b>
<b>KEOPS</b>	113 cm	120 cm	95 cm
<b>KEFREN</b>	115 cm	115 cm	60 cm
<b>RAMSES</b>	109 cm	107 cm	90 cm
<b>RAMSES UP</b>	120 cm	146 cm	-

## EXCAVATION

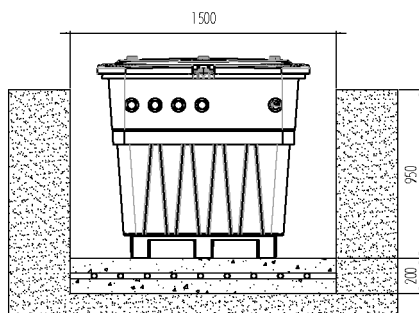
## RAMSES



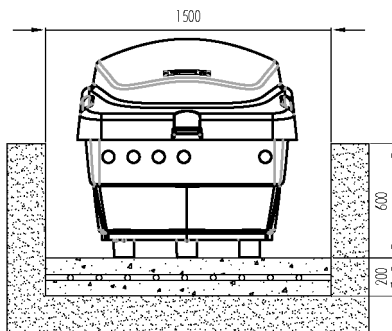
## RAMSES UP



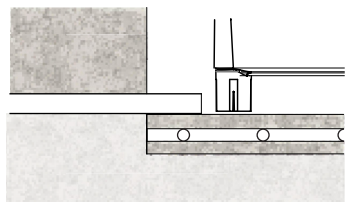
## KEOPS



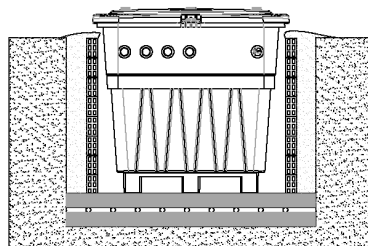
## KEFREN



Creuser des canalisations enfouies, avec un lit de sable, un écoulement relié à l'évacuation générale.



Pour les locaux enterrés, réaliser un mur de contention avec un remplissage de gravier pour le drainage, avec une rampe supérieure pour éviter les inondations dans l'orifice réalisé.

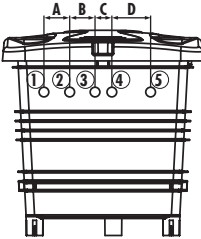
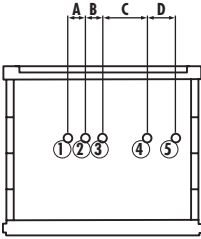
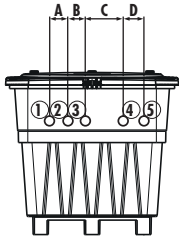
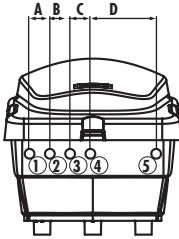


Dans les installations de locaux KEOPS, sur terrain mou, installer un renfort intérieur Réf. 31105R1000

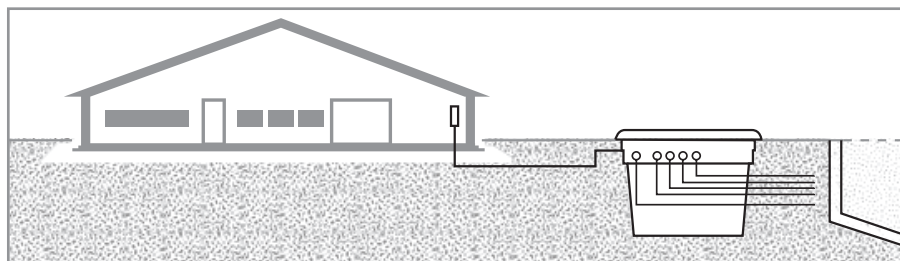







Compacter le terrain avant d'enterrer le local. Installer la dalle de béton dans la partie inférieure afin d'améliorer la stabilité du local.

## 2.3. TUBES ET VANNES

RAMSES		RAMSES UP		KEOPS		KEFREN									
															
A	B	C	D	A	B	C	D	A	B	C	D	A	B	C	D
180 mm	180 mm	130 mm	280 mm	132 mm	132 mm	295 mm	205 mm	132 mm	132 mm	282 mm	164 mm	132 mm	132 mm	132 mm	428 mm

IN			OUT	
1. SKIMMER (Ø50)	2. SIPHON (Ø50)	3. BOUCHE D'ASPIRATION (Ø50)	4. ÉVACUATION (Ø50)	5. RETOUR À PISCINE (Ø50)



-  Pour relier les tuyaux, coller le tuyau à l'embranchement fourni avec la pompe ; les raccords aux bouches d'aspiration et d'impulsion de la pompe sont filetés et comportent des joints d'étanchéité pour éviter la perte d'eau.
-  Réaliser l'installation des tuyaux d'impulsion intégralement à l'horizontale, puis bien centrer par rapport à la bouche à relier afin d'éviter que la pompe et le tube ne soient soumis à des efforts externes qui, en plus d'empêcher le montage pourraient les casser.
-  Installer les tuyaux d'aspiration avec une légère pente vers la pompe de 2 % pour éviter la formation de poches d'air.
-  Pour un correct fonctionnement de la pompe, procéder à l'amorçage du préfiltre de la pompe jusqu'à ce que l'eau affleure par le tuyau d'aspiration.
-  Pour des raisons de transport, le tuyau d'évacuation de la pompe du boîtier de filtration est débranché. Il faudra le coller avant de procéder à son raccordement extérieur.

## 2.4 ÉLECTRIQUE

Perforer le local du côté où est prévue l'entrée de l'alimentation électrique à un diamètre correspondant au câble à installer. Il est conseillé d'utiliser un câble H07-RNF. Déterminer la section du câble en fonction de la puissance consommée et de la chute de tension. Installer à l'entrée prévue des presse-étoupes adaptés à la section du câble. Il est conseillé de protéger le câble sur son parcours avec un tube adéquat.



Cet appareil NE PEUT PAS ÊTRE BRANCHÉ À UNE PRISE DE COURANT SIMPLE.



Cet appareil REQUIERT UNE INSTALLATION ÉLECTRIQUE ADAPTÉE. Celle-ci devra être réalisée par un spécialiste suivant les réglementations électriques de sécurité en vigueur dans chaque pays.



L'appareil doit être connecté à une prise à une tension de 230 V de courant alternatif et 50 Hz



L'alimentation électrique du local technique doit être **TOUJOURS PROTÉGÉE PAR UN DIFFÉRENTIEL DE 30 mA et UN INTERRUPTEUR MAGNÉOTHERMIQUE.**



Il est indispensable **D'INSTALLER UNE PRISE DE TERRE.**



Il est indispensable d'utiliser un dispositif à déconnexion multiple gardant un espace minimum de 3 mm entre les contacts pour débrancher le filtre de l'alimentation électrique.



Utiliser un **CÂBLE À SECTION** adaptée à la puissance du local et à la distance du tableau.



L'installation doit être conforme à la **RÉGLEMENTATION VDE 0100, Partie 702.** De plus, elle devra répondre à la réglementation locale et/ou nationale applicable en vigueur.

Pour réaliser l'installation électrique, il est nécessaire de déterminer l'existence du tableau électrique. S'il y a un tableau électrique, procédez comme indiqué au point 2.4.1 Avec tableau électrique à l'intérieur du local. S'il n'y a pas de tableau électrique, procédez comme indiqué au point 2.4.2 Sans tableau électrique.



Pendant le branchement des câbles électriques à l'appareil, faire attention à la disposition à l'intérieur du boîtier de branchements, vérifier qu'il ne reste pas de morceaux de câbles après la fermeture et que le conducteur à la terre est correctement branché.



Il faudra s'assurer en particulier qu'aucune eau ne pénètre dans le moteur et les parties électriques sous tension.



Dans le cas où l'utilisation prévue ne serait pas celle indiquée ici, des adaptations et des réglementations techniques supplémentaires pourraient être nécessaires.



Il est conseillé de ne pas perforer le boîtier de filtration, car l'eau contenue dans le terrain peut pénétrer dans l'un des orifices restés sous-terre.

## 2.4.1. AVEC TABLEAU ÉLECTRIQUE À L'INTÉRIEUR DU LOCAL

Par mesure de sécurité, placer les terminaux aux extrémités des câbles à connecter, et adaptés à leur section.

### Temporisateur, détail armoire électrique TRANSFO/PAS DE TRANSFO

**ATTENTION!** CONNECTER LE FIL DE MASSE D'ENTRÉE AVEC CÂBLE DE MASSE DE LA POMPE

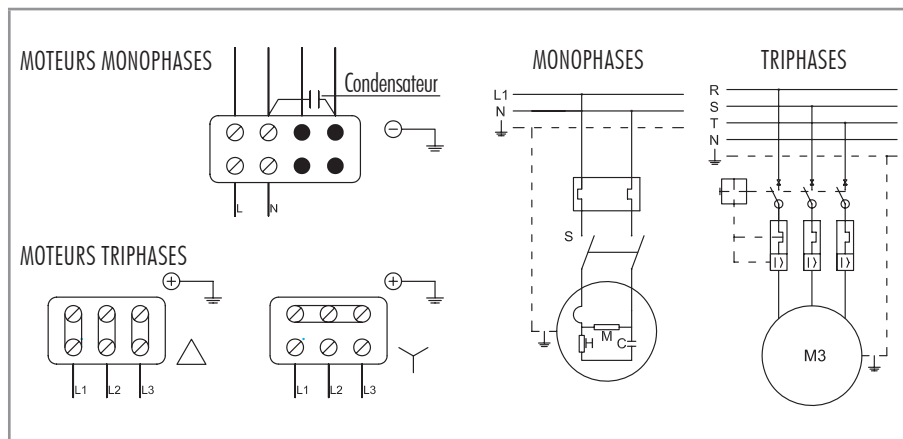
EARTH / TERRE  
TIERRA / TERRA  
SCHUTZLEITER / TERRA

NEUTRAL / NEUTRE  
NEUTRO / NEUTRO  
NEUTRALLEITER / NEUTRO

PHASE / PHASE  
FASE / FASE  
PHASENLEITER / FASE

## 2.4.2. SANS TABLEAU ÉLECTRIQUE

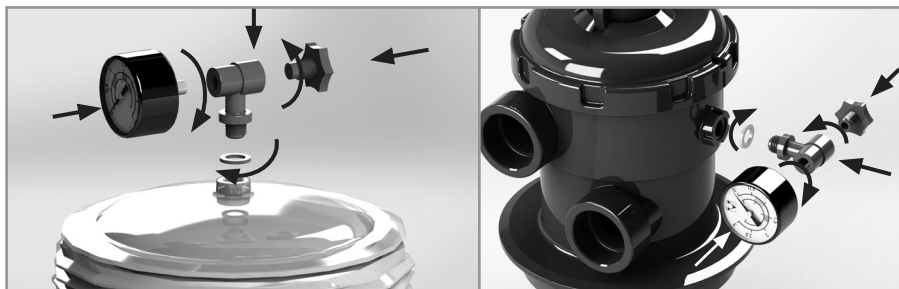
Le diagramme suivant fait référence au bornier (boîte de connexions) de la pompe, qui peut être MONOPHASÉE ou TRIPHASÉE.



Cet appareil REQUIERT UNE INSTALLATION ÉLECTRIQUE ADAPTÉE. Celle-ci devra être réalisée par un spécialiste suivant les réglementations électriques de sécurité en vigueur dans chaque pays.

### 3. MISE EN MARCHÉ

1. Sortir le/s couvercle/s du local pour lancer la mise en marche. Dévisser les 6 vis qui unissent le couvercle de la charnière, avant de le soulever.
2. Ouvrir le filtre et remplir d'eau jusqu'à la moitié. Protéger le diffuseur de l'intérieur du filtre pour empêcher l'introduction de sable.
3. Remplir le filtre avec du sable silex d'une granulométrie de 0.4-0.8 à la quantité indiquée sur l'étiquette des caractéristiques soit jusqu'au 2/3 de la hauteur totale du filtre.
4. Monter le T du manomètre, le joint, le manomètre puis le couvercle de purge d'air. L'utilisation de la bande de téflon n'est pas nécessaire, car l'étanchéité à ce point se fait à travers le joint. N'utiliser aucun outil pour serrer le T du manomètre, avec la main c'est suffisant.



Montage manomètre (avec vanne latérale)

Montage manomètre (avec vanne sur le haut)

5. Retirer les restes de silex de la bouche et du couvercle, et nettoyer le logement du joint et fermer le filtre. Pour plus d'informations, consulter le manuel du filtre.
6. Si le local est au dessus du niveau de l'eau de la piscine, il faudra amorcer la pompe, en ouvrant le préfiltre et en versant de l'eau jusqu'à ce qu'il soit plein.
7. Si le local est au dessous du niveau de l'eau, il suffira d'ouvrir les vannes d'aller-retour et ouvrir la purge d'air jusqu'à ce que le filtre et la pompe soient remplis d'eau.
8. Placer les vannes dans la position suivante :
  - SKIMMER : OUVERTE
  - SIPHON : OUVERTE
  - NETTOYEURS DE FOND : OUVERTE
  - RETOUR : OUVERTE
  - SÉLECTEUR : LAVAGE
9. Mettre en marche la pompe et réaliser un lavage du filtre. Effectuer l'opération de lavage jusqu'à ce que par le viseur du sélecteur, on voit l'eau propre et claire.
10. Débrancher la pompe. Placer le sélecteur en position de rinçage et actionner la pompe pendant 15 secondes. Arrêter à nouveau la pompe et placer le sélecteur sur la position filtration.

11. Brancher la pompe.
12. Replacer les couvercles du local en fixant la partie arrière sur les vis correspondantes.



Toute manipulation avec le sélecteur doit être réalisée avec la pompe à l'arrêt. Cela pourrait occasionner des dommages sur le filtre et l'installation.



Il est conseillé d'installer une serrure ou un cadenas afin que des enfants ou des personnes non autorisées ne puissent accéder à l'intérieur du local technique.



Avant la mise en marche de l'appareil, vérifier que le calibrage des dispositifs de protection électrique du moteur et les protections contre des contacts électriques et mécaniques sont correctement situées et fixées.



Ne pas mettre la pompe en marche sans eau dans la piscine.

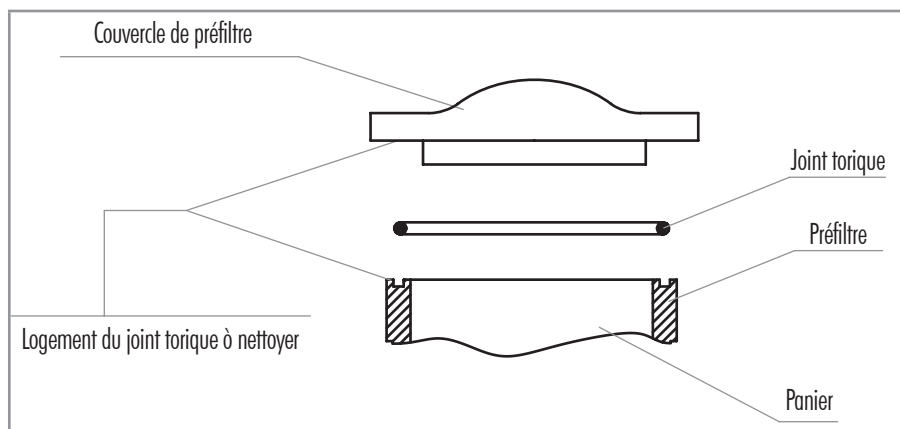


Ne pas mettre en marche l'opération de filtration si le niveau de l'eau ne parvient pas à couvrir une partie du couvercle basculant du skimmer.

### 3.1. POMPE

Avant de mettre en marche la pompe, réaliser les opérations suivantes :

Démonter le couvercle du préfiltre.



Remplir la pompe d'eau à travers le préfiltre jusqu'à ce qu'elle affleure par le tuyau d'aspiration.

Placer à nouveau le panier à l'intérieur du préfiltre, si pendant ces opérations il a été extrait, afin d'éviter la pénétration de particules épaisses à l'intérieur de la pompe, qui pourraient la bloquer.

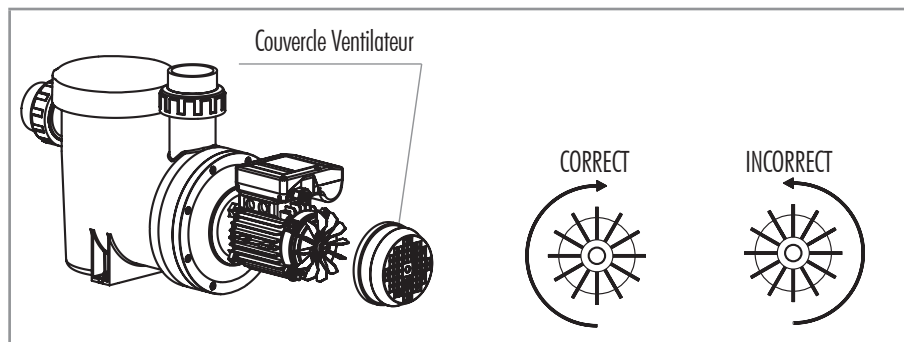
Vérifier que la tension et la fréquence du réseau correspondent à celles déterminées sur la plaque de caractéristiques de la pompe.



Placer le couvercle du préfiltre et fermer, sans oublier de disposer le joint dans son logement.

Les pompes ne peuvent travailler en aucun cas si préalablement le préfiltre n'a pas été rempli, car dans le cas contraire, le joint mécanique peut être endommagé et provoquer une perte d'eau à travers ce dernier.

Vérifier que le sens de rotation du moteur est correct, en utilisant le ventilateur placé à l'arrière du moteur, en l'observant à travers la grille du couvercle du ventilateur.



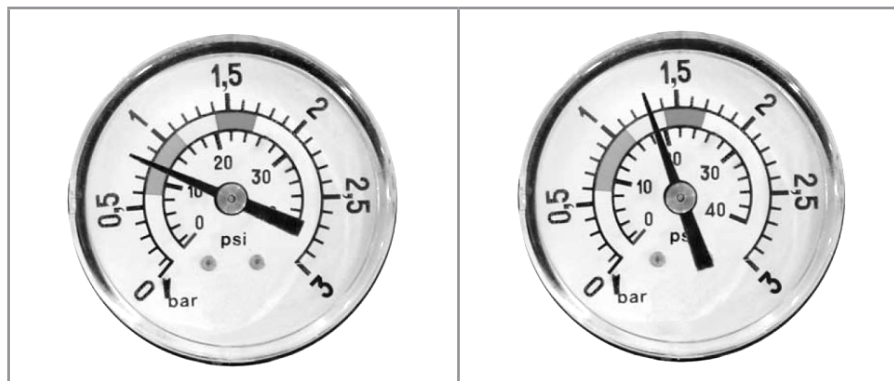
Ouvrir toutes les vannes et brancher le moteur.

Procéder à l'auto-amorçage des tuyaux et attendre qu'il se réalise dans un temps raisonnable.

## 4. OPÉRATION

### 4.1. FILTRATION

Mettre la pompe en marche. Pendant le fonctionnement, il convient d'observer régulièrement le manomètre, qui nous indiquera le degré de saturation du filtre.



**0,8 kg/cm<sup>2</sup> – 11,4 PSI :**

Pression normale en lançant un cycle de filtration

**1,3 kg/cm<sup>2</sup> – 18,5 PSI :**

Cette pression indique qu'il faut procéder au LAVAGE

## 4.2. LAVAGE

Les particules solides que contient la piscine et qui sont recueillies par le siphon et les skimmers sont retenues dans le sable du filtre, le passage de l'eau se réduisant donc progressivement. C'est pourquoi la pression augmente peu à peu. Lorsque la pression atteint  $1,3 \text{ kg / cm}^2$ , on réalisera un « LAVAGE ».

**On procédera de la manière suivante :**

On placera le sélecteur sur la position « LAVAGE » et la pompe se mettra en marche. Effectuer cette action pendant 2 minutes. Toutefois, observer le viseur du sélecteur pour vérifier si la durée est correcte, car elle dépend de la saleté accumulée dans le filtre.

## 4.3. RINÇAGE

Après avoir réalisé un « LAVAGE » du filtre et avant de mettre le système en filtration, il convient de réaliser un « RINÇAGE » pour éviter que la première quantité d'eau même trouble aille directement dans la piscine. Pour cela, avec la pompe à l'arrêt, mettre le sélecteur en position de « RINÇAGE ». Mettre la pompe en marche pour réaliser cette opération pendant environ une minute. Toutefois, observer le viseur du sélecteur pour vérifier si la durée est correcte, car elle dépend de la saleté accumulée dans le filtre.

## 4.4. RECIRCULATION

Lorsque nous plaçons le sélecteur sur cette position, l'eau en provenance de la pompe circule directement vers la piscine, sans passer par l'intérieur du filtre.

## 4.5. VIDANGE

Si la piscine n'est pas dotée d'une évacuation dans le fond du bassin, il est possible de la vider à l'aide de la pompe du filtre en plaçant la vanne sur la position « VIDANGE ». Pour réaliser cette opération, ouvrir les vannes du siphon et fermer celles des skimmers et du nettoyeur de fonds.

## 4.6. FERMÉ

Cette position ferme l'entrée de l'eau dans le filtre.

# 5. ENTRETIEN

## 5.1. FILTRE

Pour nettoyer le filtre, ne pas utiliser de dissolvants, le brillant pouvant disparaître et le filtre pouvant être endommagé.

Remplacer les pièces et les joints détériorés si nécessaire.

Réaliser les lavages et les rinçages nécessaires conformément aux instructions de fonctionnement.

Nettoyer le sable chaque année pour un meilleur service avec ASTRAL Filnet solide ou Filnet liquide. Il est conseillé de changer le sable tous les 3 ans environ.

### Hivernage :

Pour ne pas endommager le filtre pendant la période d'hivernage, il est nécessaire de réaliser les opérations suivantes :

- Réaliser un lavage et un rinçage selon les instructions précédentes.
- Vider l'eau du filtre.
- Retirer le couvercle du filtre pour qu'il reste ventilé, pendant la période d'inactivité.
- Quand il faudra remettre le filtre en fonctionnement, suivre les instructions de MISE EN MARCHÉ.

## 5.2. POMPE

Nettoyer le panier du préfiltre régulièrement pour éviter les chutes de pression. Ne pas lui faire subir de chocs pendant le processus de nettoyage pour éviter de casser le panier.

Si la pompe s'arrête, vérifier que la consommation d'ampères du moteur en fonctionnement soit égale ou inférieure à celle marquée sur la plaque de caractéristiques du fabricant, ou à défaut, s'adresser au Service d'assistance technique le plus proche.

Vider la pompe lorsqu'elle devra rester quelque temps sans fonctionner, principalement dans les pays froids où un risque de gel peut exister.

Pour réaliser la vidange de la pompe, extraire le bouchon de purge 10.

Dès que le préfiltre s'ouvrira, nettoyer les impuretés de l'emplacement du joint et le joint lui-même, pour s'assurer de l'étanchéité de la fermeture du couvercle.

Les composants de la pompe qui subissent une usure du fait de leur utilisation et/ou une détérioration doivent être remplacés régulièrement pour maintenir le bon rendement de la pompe. Dans le tableau suivant, sont listés les composants fongibles et/ou consommables de la pompe et leur durée de vie estimée.

DESCRIPTION COMPOSANTS	DURÉE DE VIE ESTIMÉE
Joint toriques et éléments d'étanchéité en général	1 an
Fermeture mécanique	1 an
Roulements	1 an

La durée de vie estimée des pièces précédentes a été établie dans des conditions normales d'utilisation et d'installation du produit.

Suivre les instructions du manuel d'installation pour maintenir la durée de vie de la pompe.

### 5.3. AUTRES COMPOSANTS



Pour les autres composants du local technique, il faudra vérifier et procéder selon les spécifications du manuel d'utilisation et d'entretien de chaque élément du local, pour pouvoir assurer un fonctionnement optimal et sûr de l'ensemble.



Éviter absolument le contact, y compris accidentel avec les parties en mouvement de l'appareil.



Attendre que la machine soit complètement arrêtée pour réaliser une quelconque intervention sur l'appareil.



Avant de procéder à une quelconque intervention de maintenance électrique ou mécanique, s'assurer que la machine a été débranchée du réseau électrique et que les dispositifs de mise en marche sont bloqués.



S'assurer que le sol est sec avant de toucher l'appareil électrique.



Ne pas manipuler l'appareil avec les pieds mouillés.

## 6. TABLEAU DES ERREURS

PROBLÈMES	CAUSES	SOLUTIONS
L'équipement ne filtre pas, mais l'eau circule.	Le filtre fonctionne sans cartouche.	Vérifier que la cartouche du filtre est correctement installée.
L'équipement ne refoule pas d'eau.	L'alimentation électrique n'est pas branchée.	Vérifier la connexion électrique et s'assurer que la prise électrique est bien alimentée.
	Protection moteur mal réglée.	Vérifier la consommation de la pompe et régler la protection du moteur du boîtier électrique.
Le matériel refoule peu d'eau.	Le filtre est saturé	Effectuer une opération de lavage du filtre.
	Le préfiltre de la pompe ou le panier du skimmer est obstrué.	Nettoyer le préfiltre de la pompe ou le panier du skimmer.
	Entrée d'air par la conduite d'aspiration.	Vérifier l'état des raccords et des joints du tuyau d'aspiration.
	Niveau de l'eau de la piscine insuffisant.	Remplir la piscine jusqu'à ce que le niveau de l'eau atteigne la moitié du volet du skimmer.
	Tension incorrecte.	Vérifier que la tension du réseau correspond bien à celle qui est indiquée sur la plaque de caractéristiques du moteur.
	Pertes de charge lors de l'aspiration.	Vérifier que l'installation ne comprend pas d'éléments occasionnant des pertes de charge anormales.
La pompe ne s'amorce pas.	Prise d'air.	Réviser tous les raccords des tuyaux. Remplir d'eau le préfiltre de la pompe.
Le caisson se remplit d'eau.	L'évacuation d'eau du caisson n'a pas été installée.	Installer une évacuation d'eau pour le caisson.





**El manual, que usted tiene en sus manos, contiene información fundamental acerca de las medidas de seguridad a adoptar a la hora de la instalación, el mantenimiento y la puesta en servicio. Por ello, es imprescindible que tanto el instalador como el usuario lean las instrucciones antes de pasar al montaje y la puesta en marcha.**

El manual puede descargarse en pdf desde la siguiente página: [www.astralpool.com](http://www.astralpool.com)

## 1. SEGURIDAD GENERAL

Los símbolos utilizados en este manual son los siguientes:



**PELIGRO:** Indica una situación peligrosa que puede derivar en heridas graves o la muerte si no se evita.



**ADVERTENCIA:** Indica una situación peligrosa que podría derivar en heridas graves o la muerte si no se evita.



**PRECAUCIÓN:** Indica una situación peligrosa que puede derivar en heridas leves o moderadas.



**INFORMACIÓN:** Se emplea para referirse a cuestiones no relacionadas con daños personales.

## RECOMENDACIONES GENERALES DE SEGURIDAD:



### PELIGRO

- Las personas que se encarguen del montaje deben poseer la cualificación requerida para este tipo de trabajos.
- Se debe evitar entrar en contacto con la tensión eléctrica.
- Se deben respetar las normas vigentes para la prevención de accidentes.
- A tal respecto, se deben cumplir las normas IEC 364-7-702: INSTALACIONES
- La instalación deberá cumplir la normativa local y/o nacional vigente aplicable.
- Cualquier operación de mantenimiento o sustitución de piezas debe realizarse con el COMPACTO desconectado de la red.
- No manipular con los pies mojados.
- Este equipo NO PUEDE CONECTARSE A UNA SIMPLE TOMA DE CORRIENTE.
- Este equipo REQUIERE DE UNA INSTALACIÓN ELÉCTRICA adecuada. Ésta debe de ser efectuada por una persona especializada siguiendo las normativas eléctricas de seguridad vigentes en cada país.
- La alimentación eléctrica de la caseta debe estar SIEMPRE PROTEGIDA POR UN DIFERENCIAL DE 30 mA Y UN INTERRUPTOR MAGNETOTÉRMICO.
- Es imprescindible REALIZAR UNA TOMA DE TIERRA.
- Utilizar un CABLE DE SECCIÓN apropiada a la potencia de la caseta y a la distancia del cuadro.
- Colocar un cierre o candado para que no puedan acceder al interior de la caseta niños o personas no autorizadas.
- EFECTUAR SIEMPRE LOS CAMBIOS DE POSICIÓN DE LA VÁLVULA SELECTORA CON LA BOMBA PARADA.
- No abrir la tapa del compacto en caso de poder estar sometida a viento o corrientes de aire importantes.
- El fabricante en ningún caso se responsabiliza del montaje, instalación, puesta en funcionamiento, cualquier manipulación o incorporación de componentes eléctricos que no se hayan llevado a cabo en sus instalaciones.

## 2. INSTALACIÓN

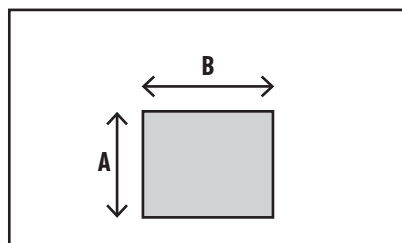
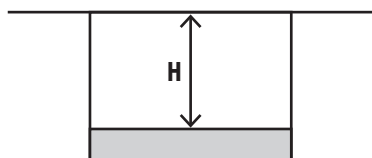
### 2.1. LUGAR

Se aconseja situar el equipo alejado de la piscina, como mínimo a 3,5 m del borde de la piscina, y siempre, cumpliendo con la normativa vigente aplicable.

### 2.2. PROCEDIMIENTO

Realizar la excavación para alojar la caseta y conducciones hidráulicas y eléctricas requeridas. (Sólo aplica a las casetas RAMSES, KEOPS y KEFREN).

- Nivelar y compactar la base.
- Situar la caseta.
- Instalar las tuberías hidráulicas, incluyendo el desagüe y la instalación eléctrica protegida con tubo corrugado.
- En las casetas enterradas poner una base de hormigón hasta cubrir aproximadamente las patas (15-20cm).
- Rellenar el espacio sobrante de la excavación con grava para drenaje y compactar. Dejar una leve rampa superior para evitar inundaciones.

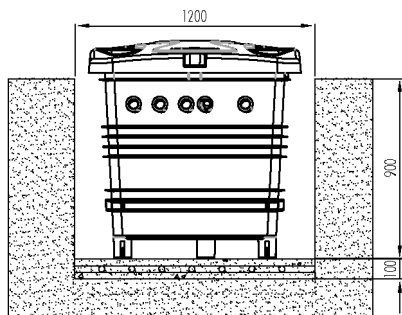


	<b>A</b>	<b>B</b>	<b>H</b>
<b>KEOPS</b>	113 cm	120 cm	95 cm
<b>KEFREN</b>	115 cm	115 cm	60 cm
<b>RAMSES</b>	109 cm	107 cm	90 cm
<b>RAMSES UP</b>	120 cm	146 cm	-

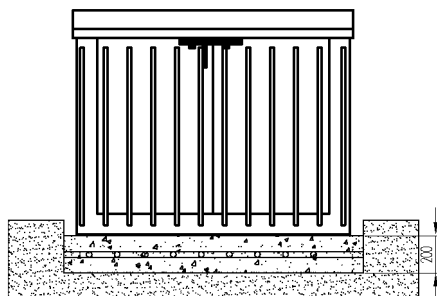


# EXCAVACIÓN

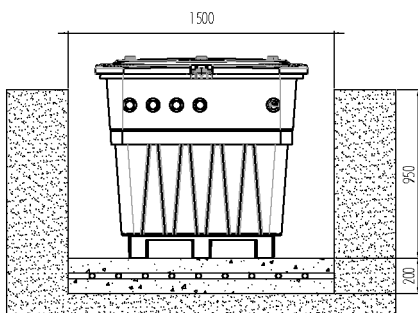
**RAMSES**



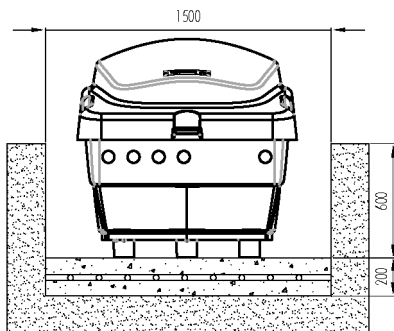
**RAMSES UP**



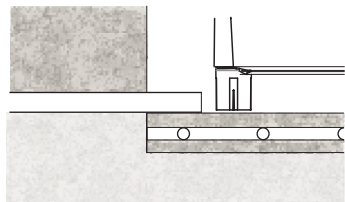
**KEOPS**



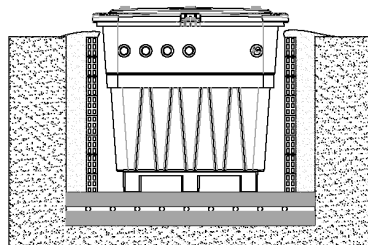
**KEFRÉN**



Excavar canalizaciones enterradas, en lecho de arena, sumidero a desagüe general



En casetas enterradas, realizar muro de contención con relleno de grava para drenaje, con rampa superior para evitar inundaciones en la excavación realizada.

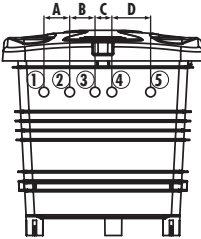
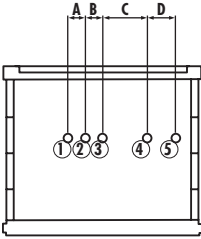
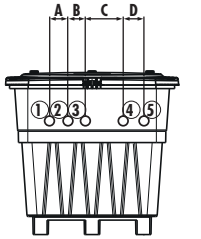
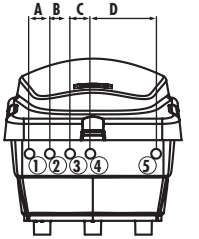


En instalaciones de casetas KEOPS sobre terreno blando instalar refuerzo interior Ref.31105R1000

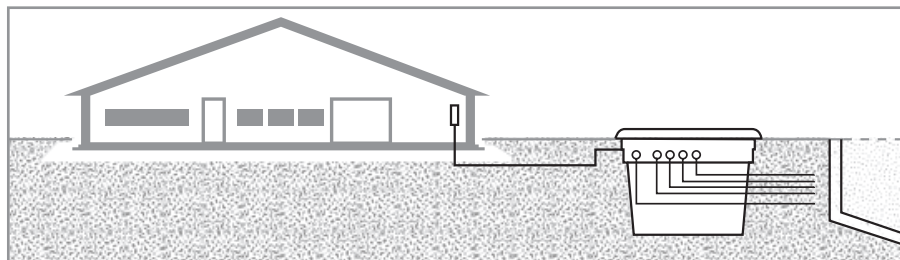







Compactar la tierra antes de insertar la caseta en el terreno. Poner loseta de hormigón en la parte inferior para mejorar la estabilidad de la caseta.

## 2.3. TUBERÍAS Y VÁLVULAS

RAMSES		RAMSES UP		KEOPS		KEFRÉN									
															
A	B	C	D	A	B	C	D	A	B	C	D	A	B	C	D
180 mm	180 mm	130 mm	280 mm	132 mm	132 mm	295 mm	205 mm	132 mm	132 mm	282 mm	164 mm	132 mm	132 mm	132 mm	428 mm

IN				OUT
1. SKIMMER (Ø50)	2. SUMIDERO (Ø50)	3. BOCA DE ASPIRACIÓN (Ø50)	4. DESAGÜE (Ø50)	5. RETORNO A PISCINA (Ø50)



-  Para realizar la conexión de la tubería, encolar la tubería a la racordería, suministrada conjuntamente con la bomba; las uniones de la racordería a las bocas de aspiración e impulsión de la bomba son de rosca y llevan juntas de estanqueidad para evitar la pérdida de agua.
-  Realizar la instalación de los tubos de impulsión completamente perpendicular y bien centrada respecto a la boca a conectar con el fin de evitar que la bomba y el tubo estén sometidos a unos esfuerzos externos que, aparte de dificultar el montaje, podría llegar a romperlos.
-  Instalar la tubería de aspiración con una ligera pendiente hacia la bomba del 2% para evitar la formación de bolsas de aire.
-  Para el correcto funcionamiento de la bomba proceder al cebado del prefiltro de la bomba hasta que el agua aflore por el conducto de aspiración.
-  Por motivos de transporte, la caja de filtración lleva el desagüe de la bomba desconectado. Es imprescindible encolarlo antes de proceder a su conexión exterior

## 2.4. ELÉCTRICA

Perforar la caseta por el lado que se ha previsto entrar con la alimentación eléctrica a un diámetro conforme al cable que se vaya a instalar. Se recomienda utilizar cable H07-RNF. Determinar la sección del cable en función a la potencia consumida y a la caída de tensión. Instalar en la entrada prevista unos prensaestopas adecuado a la sección de cable. Se recomienda proteger el cable, en su recorrido, con un tubo adecuado.



Este equipo **NO PUEDE CONECTARSE A UNA SIMPLE TOMA DE CORRIENTE.**



Este equipo **REQUIERE DE UNA INSTALACIÓN ELÉCTRICA** adecuada. Ésta debe de ser efectuada por una persona especializada siguiendo las normativas eléctricas de seguridad vigentes en cada país.



El equipo se debe conectar a una toma de tensión de 230 V de corriente alterna y 50 Hz



La alimentación eléctrica de la caseta debe estar **SIEMPRE PROTEGIDA POR UN DIFERENCIAL DE 30 mA y MONTAR UN INTERRUPTOR MAGNETOTÉRMICO.**



Es imprescindible **REALIZAR UNA TOMA DE TIERRA.**



Es imprescindible utilizar un dispositivo de desconexión múltiple con una separación mínima de 3 mm entre contactos para desconectar el filtro de la alimentación eléctrica.



Utilizar un **CABLE DE SECCIÓN** apropiada a la potencia de la caseta y a la distancia del cuadro.



La instalación debe estar acorde con la **NORMA VDE 0100, Parte 702.** Adicionalmente, deberá cumplir la normativa local y/o nacional vigente aplicable.

Para realizar la instalación eléctrica es necesario determinar la existencia de cuadro eléctrico. Si hay cuadro eléctrico proceda con el punto 2.4.1 Con cuadro eléctrico en el interior de la caseta. En caso de no haber cuadro eléctrico proceda con el punto 2.4.2 Sin cuadro eléctrico.



Durante la conexión de los cables eléctricos al equipo, cuidar la disposición en el interior de la caja de conexiones, verificar que no queden trozos de cable en el interior después del cierre y que el conductor de tierra esté correctamente conectado.



Hay que prestar particular atención a que, de ninguna manera, entre agua en el motor y en las partes eléctricas en tensión.



En caso de que la utilización prevista no sea la citada, pueden ser necesarias adecuaciones y normativas técnicas suplementarias.



Se recomienda no perforar la caja de filtración ya que el agua contenida en el terreno puede penetrar por cualquier orificio que quede enterrado.

### 2.4.1. CON CUADRO ELÉCTRICO EN EL INTERIOR DE LA CASETA

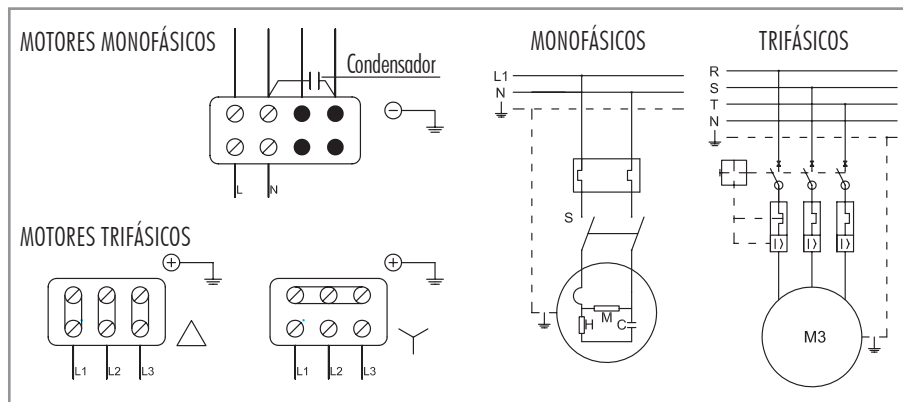
Por seguridad, colocar terminales en los extremos de los cables a conectar, adecuados a la sección de los mismos.

**TEMPORIZADOR, detalle armario eléctrico TRAF0/NO TRAF0**

**¡ATENCIÓN!** CONECTAR CABLE DE TIERRA DE ENTRADA CON CABLE DE TIERRA DE LA MOTOBOMBA

### 2.4.2. SIN CUADRO ELÉCTRICO

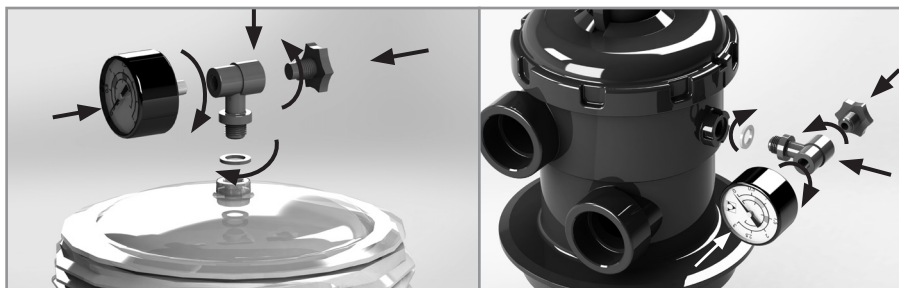
El siguiente diagrama hace referencia al bornero (caja de conexiones) de la bomba, que puede ser MONOFÁSICO o TRIFÁSICO.



Este equipo REQUIERE DE UNA INSTALACIÓN ELÉCTRICA adecuada. Ésta debe de ser efectuada por una persona especializada siguiendo las normativas eléctricas de seguridad vigentes en cada país.

### 3. PUESTA EN MARCHA

1. Sacar la/s tapa/s de la caseta para iniciar la puesta en marcha. Desatornillar los 6 tornillos que unen la tapa de la bisagra, antes de levantarla.
2. Abrir el filtro y llenar de agua hasta la mitad. Proteger el difusor del interior del filtro para que no pueda entrar arena al mismo.
3. Rellenar el filtro con arena sílex 0.4-0.8 de granulometría con la cantidad indicada en la etiqueta de características o bien hasta 2/3 partes de la altura total del filtro.
4. Montar la te manómetro, la junta, el manómetro y el tapón purga de aire. No es necesario el uso de cinta de teflón, ya que la estanqueidad en este punto se hace mediante la junta. No apretar la te del manómetro con ninguna herramienta, con la mano es suficiente.





**Montaje manómetro (con válvula lateral)**


**Montaje manómetro (con válvula top)**

5. Limpiar la boca y la tapa de los restos de sílex, así como el alojamiento de la junta y cerrar el filtro. Para más información, mirar el manual del filtro.
6. Si la caseta estuviese por encima del nivel de agua de la piscina, se deberá cebar la bomba, abriendo el pre filtro y echándole agua hasta que quede lleno.
7. Si la caseta está por debajo del nivel agua, bastará con abrir las válvulas de ida y retorno y abrir la purga de aire hasta que el filtro y la bomba estén llenos de agua.
8. Colocar las válvulas en la siguiente posición:
  - SKIMMER: ABIERTA
  - SUMIDERO: ABIERTA
  - LIMPIAFONDOS: ABIERTA
  - RETORNO: ABIERTA
  - VÁLVULA SELECTORA: LAVADO
9. Poner en marcha la bomba y efectuar un lavado del filtro. Efectuar la operación de lavado hasta que por el visor de la válvula selectora se vea el agua limpia y clara.
10. Desconectar la bomba. Colocar la válvula selectora en posición enjuague y accionar la bomba durante 15 segundos. Volver a parar la bomba y colocar la válvula selectora en posición de filtración.


11. Conectar la bomba.
12. Volver a colocar las tapas de la caseta fijando la parte posterior con sus correspondientes tornillos.

 Cualquier maniobra con la válvula selectora debe de realizarse con la bomba parada. Podría ocasionarse daños al filtro y la instalación.

 Se recomienda colocar un cierre o candado para que no puedan acceder al interior de la caseta niños o personas no autorizadas.

 Antes de la puesta en marcha del equipo, verificar la calibración de los dispositivos de protección eléctricos del motor y las protecciones contra contactos eléctricos y mecánicos estén correctamente posicionadas y fijadas.

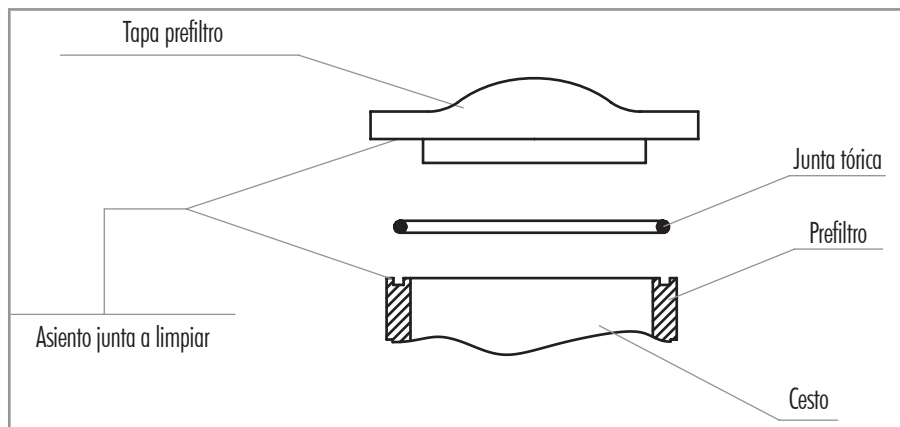
 No poner en marcha la bomba sin agua en la piscina.

 No poner en marcha la operación de filtración si el nivel del agua no llega a cubrir parte de la tapa basculante del skimmer.

### 3.1. BOMBA

Antes de poner en marcha la bomba, realizar las siguientes operaciones:

Desmontar la tapa del prefiltro.



Llenar de agua la bomba por el prefiltro hasta que aflore por el conducto de aspiración.

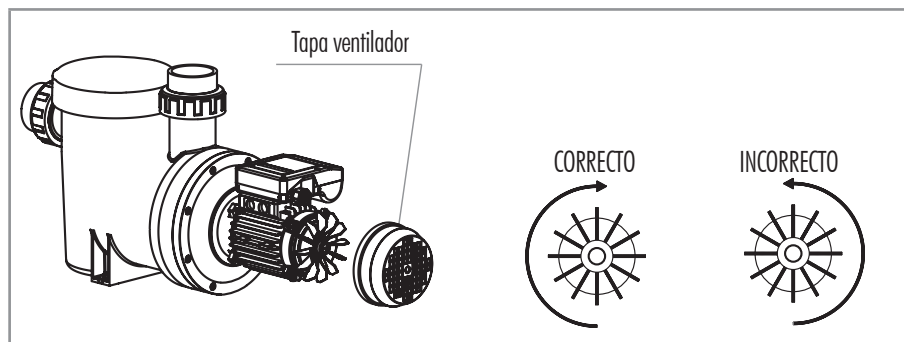
Colocar de nuevo el cesto en el interior del prefiltro, si durante estas operaciones se hubiese extraído, con el objeto de evitar la entrada de partículas gruesas en el interior de la bomba que podrían llegar a bloquearla.

Comprobar que la tensión y la frecuencia de la red se corresponden con las determinadas en la placa de características de la bomba.

Colocar la tapa prefiltro y cerrar, sin olvidar colocar la junta en su alojamiento.

Las bombas en ningún caso pueden trabajar sin haber llenado previamente el prefiltro de agua, ya que, de lo contrario, ello puede dañar la junta mecánica, provocando pérdida de agua por ésta.

Comprobar que el sentido de rotación del motor es el correcto, utilizando el ventilador situado en la parte trasera del motor, y observándolo a través de la mirilla de la tapa del ventilador.



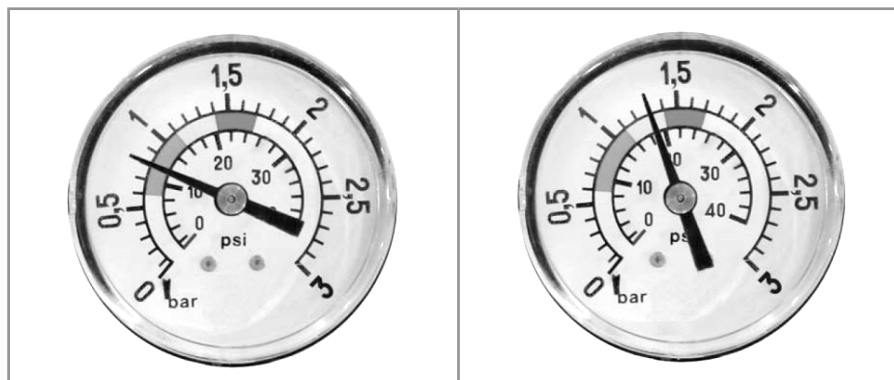
Abrir todas las válvulas y conectar el motor.

Efectuar el auto cebado de la tubería y esperar a que se realice en un tiempo razonable.

## 4. OPERACIÓN

### 4.1. FILTRACIÓN

Con la bomba parada situar la maneta de la válvula selectora en "FILTRACIÓN". Poner en marcha la bomba. Durante el funcionamiento es conveniente observar periódicamente el manómetro, el cual nos indica el grado de saturación del filtro.



**0,8 kg/cm<sup>2</sup> – 11,4 PSI:**  
Presión normal al iniciar un ciclo de filtración

**1,3 kg/cm<sup>2</sup> – 18,5 PSI:**  
Esta presión indica que es necesario proceder al LAVADO

## 4.2. LAVADO

Las partículas sólidas que contiene la piscina y son recogidos por el sumidero y los skimmers, quedan retenidas en la arena del filtro y en consecuencia el paso del agua va disminuyendo constantemente. Es por este motivo la presión se eleva progresivamente. Cuando la presión llegue a  $1,3 \text{ kg/cm}^2$ , se realizará un "LAVADO".

### Se procederá de la siguiente forma:

Se colocará la válvula selectora en posición de "LAVADO" y se pondrá en marcha la bomba. Efectuar esta maniobra durante 2 minutos. No obstante, observar el visor de la válvula selectora para comprobar si este tiempo es correcto, ya que depende de la suciedad acumulada en el filtro.

## 4.3. ENJUAGUE

Después de realizar un "LAVADO" del filtro y antes de poner el sistema en filtración, es conveniente realizar un "ENJUAGUE", para evitar que la primera cantidad de agua, aún turbia vaya directamente a la piscina. Para ello, con la bomba parada poner la válvula selectora en posición de "ENJUAGUE". Poner en marcha la bomba para realizar esta operación aproximadamente durante un minuto. No obstante, observar el visor de la válvula selectora para comprobar si este tiempo es correcto, ya que depende de la suciedad acumulada en el filtro.

## 4.4. RECIRCULACIÓN

Cuando situamos la válvula selectora en esta posición, el agua procedente de la bomba circula directamente hacia la piscina, sin pasar por el interior del filtro.

## 4.5. VACIADO

En el caso de que la piscina no disponga de un desagüe en el fondo de la misma, se puede vaciar mediante la bomba del filtro situando la válvula en la posición de "VACIADO". Para realizar esta operación, abrir las válvulas del sumidero y cerrar las de los Skimmers y limpia fondos.

## 4.6. CERRADO

Esta posición cierra la entrada de agua al filtro.

# 5. MANTENIMIENTO

## 5.1. FILTRO

Para limpiar el filtro no utilizar disolventes, ya que puede desaparecer el brillo del mismo y resultar dañado.

Sustituir cuando lo precisen las piezas y juntas deterioradas.

Realizar los lavados y enjuagues necesarios según las instrucciones de funcionamiento.



Limpiar la arena anualmente para un mejor servicio con ASTRAL Filnet sólido o Filnet líquido. Se recomienda cambiar la arena cada 3 años aproximadamente.

### Invernaje:

Para no dañar el filtro durante el periodo de invernaje es necesario realizar las siguientes operaciones:

- Realizar un lavado y enjuague según las instrucciones anteriores.
- Vaciar el filtro de agua.
- Quitar la tapa del filtro para mantenerlo ventilado durante el periodo de inactividad.
- Cuando sea necesario volver a poner el filtro en funcionamiento, seguir las instrucciones de PUESTA EN MARCHA.

## 5.2. BOMBA

Limpiar el cesto del pre filtro regularmente para evitar caídas de presión. No golpearlo durante el proceso de limpieza para evitar una posible rotura del cesto.

Si la bomba se para, comprobar que el consumo en amperios del motor en funcionamiento es igual o inferior al marcado en la placa de características del fabricante, o en su defecto dirigirse al Servicio de Asistencia Técnica más próximo.

Vaciar la bomba en los casos que tenga que permanecer algún tiempo sin funcionar, principalmente en países fríos donde pueda existir peligro de congelación.

Para efectuar el vaciado de la bomba, extraer el tapón de purga 10.

Cada vez que se abra el pre filtro, limpiar de impurezas el asiento de la junta y la propia junta, para asegurar la estanqueidad en el cierre de la tapa.

Los componentes de la bomba que por su uso habitual sufren desgaste y/o deterioro han de ser repuestos periódicamente para mantener el buen rendimiento de la bomba. En la siguiente tabla se listan los componentes fungibles y/o consumibles de la bomba y el periodo de vida estimado para los mismos.

DESCRIPCIÓN COMPONENTE	PERIODO ESTIMADO DE VIDA
Juntas tóricas y elementos de estanqueidad en general	1 año
Cierre mecánico	1 año
Rodamientos	1 año

El periodo estimado de vida de las piezas anteriores ha sido establecido según condiciones normales de uso e instalación del producto.

Seguir las instrucciones del manual de instalación para mantener el periodo de vida de la bomba.

### 5.3. OTROS COMPONENTES



Para el resto de componentes de la caseta será necesario verificar y proceder según lo especificado en el manual de usuario y mantenimiento de cada elemento de la caseta, para poder asegurar un funcionamiento óptimo y seguro de todo el conjunto.



Evitar absolutamente el contacto, incluso accidental con las partes en movimiento del equipo.



Esperar que la máquina esté completamente parada para realizar cualquier intervención sobre el equipo.



Antes de proceder a realizar cualquier intervención de mantenimiento eléctrico o mecánico, asegurarse que la máquina haya sido desconectada de la red de alimentación y que los dispositivos de puesta en marcha estén bloqueados.



Asegúrese de que el suelo está seco antes de tocar el equipo eléctrico.



No manipular el equipo con los pies mojados

## 6. TABLA DE FALLOS

PROBLEMAS	MOTIVOS	SOLUCIONES
El equipo no filtra pero sí que recircula el agua	El filtro trabaja sin arena	Compruebe que el filtro tiene el nivel adecuado de arena
El equipo no impulsa agua	Falta de alimentación eléctrica	Compruebe la conexión eléctrica y que llegue corriente a la toma
	Protector de motor mal regulado	Comprobar el consumo de la bomba y ajustar el protector del motor del cuadro eléctrico
El equipo impulsa poca agua	El filtro está saturado	Realizar una operación de lavado de filtro
	Prefiltro de la bomba o del skimmer obturado	Limpiar el prefiltro de la bomba o la cesta del skimmer
	Entrada de aire por la tubería de aspiración	compruebe el estado de racores y juntas del tubo de aspiración
	Nivel del agua de la piscina insuficiente	Llene la piscina hasta que el nivel del agua cubra la mitad de la compuerta basculante del skimmer
	Voltaje erróneo	Compruebe que el voltaje de la red coincida con el indicado en la placa de características del motor
	Pérdidas de carga en la aspiración	Compruebe que la instalación no tenga elementos que produzcan pérdidas de carga anormales
La bomba no se ceba	Toma de aire	Reparar todas las conexiones de las tuberías. Llenar el prefiltro de la bomba de agua.
La caseta se llena de agua	No se ha instalado el desagüe de la caja.	Instale un desagüe para la evacuación del agua de la caja.



**Il presente manuale contiene informazioni fondamentali sulle misure di sicurezza da adottare durante l'installazione, e la messa in servizio. È pertanto necessario che l'installatore e l'utente leggano le istruzioni prima di procedere al montaggio e all'avvio.**



Il manuale in formato pdf si può scaricare dal seguente sito: [www.astralpool.com](http://www.astralpool.com)

## 1. NORME GENERALI DI SICUREZZA

Nel presente manuale si utilizzano i seguenti simboli:



Il segnale di **PERICOLO** indica una situazione pericolosa che può provocare gravi ferite o, se non la si evita, addirittura la morte.



Il segnale di **AVVERTENZA** indica una situazione pericolosa che potrebbe provocare gravi ferite o, se non la si evita, addirittura la morte.



Il segnale di **ATTENZIONE** indica una situazione pericolosa che può cagionare ferite da lievi a moderate.



**INFORMAZIONE** si utilizza per segnalare questioni non legate a danni personali.

## RACCOMANDAZIONI GENERALI DI SICUREZZA:



### PERICOLO

- Le persone incaricate del montaggio devono essere qualificate per lo svolgimento di questo tipo di lavori.
- Evitare il contatto con la tensione elettrica.
- Rispettare la normativa antinfortunistica vigente.
- A tal fine, osservare le norme IEC 364-7-702: INSTALLAZIONI.
- Durante l'installazione si dovrà rispettare la normativa locale e/o nazionale vigente in materia.
- Prima di eseguire qualsiasi intervento di manutenzione o sostituzione di componenti scollegare dalla rete elettrica il LOCALE TECNICO COMPATTO.
- Non toccare con i piedi bagnati.
- Il presente locale tecnico **NON PUÒ COLLEGARSI A UNA SEMPLICE PRESA DELLA CORRENTE.**
- **NECESSITA** infatti di UN apposito **IMPIANTO ELETTRICO**. Tale lavoro si dovrà affidare a un tecnico specializzato che lo svolgerà secondo le normative elettriche di sicurezza vigenti in ciascun Paese.
- L'alimentazione elettrica del locale tecnico deve essere **SEMPRE PROTETTA DA UN DIFFERENZIALE DI 30 mA e DA UN INTERRUTTORE MAGNETOTERMICO.**
- È necessario **PREDISPORRE UNA PRESA DI MESSA A TERRA.**
- Utilizzare un **CAVO CON SEZIONE** adeguata alla potenza del locale tecnico e alla distanza del quadro elettrico.
- Disporre una chiusura o un lucchetto per impedire l'accesso al locale a bambini o persone non autorizzate.
- **DURANTE GLI SPOSTAMENTI DELLA VALVOLA SELETTORIE OCCORRE CHE LA POMPA SIA FERMA.**
- In presenza di vento o correnti d'aria importanti non aprire il coperchio del locale tecnico compatto.
- In nessun caso, il produttore assume responsabilità in merito a operazioni di montaggio, installazione e messa in funzione né a eventuali interventi o aggiunte di componenti elettrici compiuti al di fuori dei rispettivi impianti.

## 2. INSTALLAZIONE

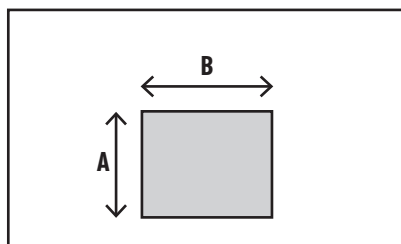
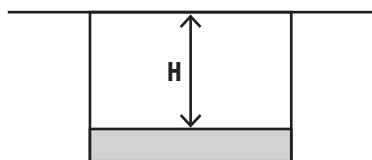
### 2.1. LUOGO

Si consiglia di posizionare il locale tecnico lontano dalla piscina, a una distanza di almeno 3,5 m dal bordo della medesima, nonché sempre in ottemperanza alla normativa vigente applicabile.

### 2.2. PROCEDURA

Effettuare lo scavo per consentire l'alloggiamento del locale tecnico e degli impianti idraulico ed elettrico richiesti (solo per i locali RAMSES, KEOPS e KEFREN).

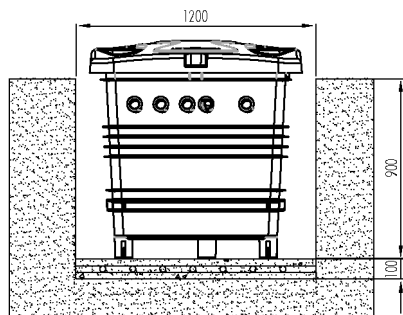
- Livellare e compattare la superficie di appoggio.
- Disporre il locale tecnico.
- Installare i tubi idraulici, compreso lo scarico, nonché l'impianto elettrico protetto tramite tubi corrugati.
- Nel caso dei locali tecnici interrati, predisporre una fondazione di cemento che ne copra all'incirca i supporti (15-20 cm).
- Riempire lo spazio vuoto dello scavo con ghiaia per agevolare il drenaggio e quindi compattare. Lasciare una lieve rampa superiore per evitare inondazioni.



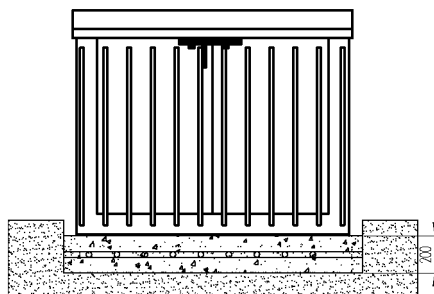
	<b>A</b>	<b>B</b>	<b>H</b>
<b>KEOPS</b>	113 cm	120 cm	95 cm
<b>KEFREN</b>	115 cm	115 cm	60 cm
<b>RAMSES</b>	109 cm	107 cm	90 cm
<b>RAMSES UP</b>	120 cm	146 cm	-

## SCAVO

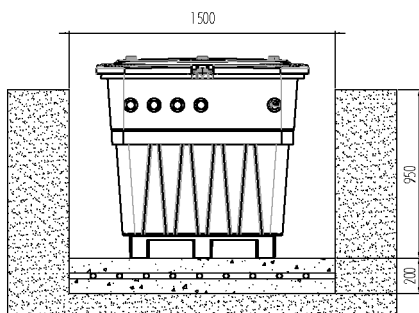
## RAMSES



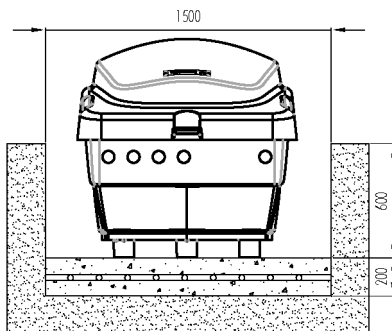
## RAMSES UP



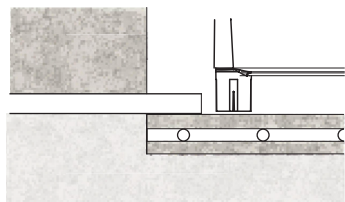
## KEOPS



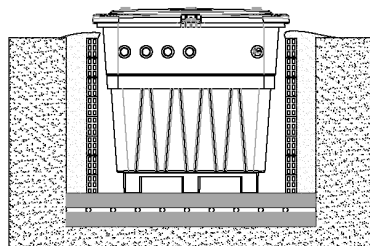
## KEFREN



Effettuare uno scavo per alloggiarvi condutture interrattate, su un letto di sabbia, con sistema di drenaggio verso lo scarico generale.



Per i locali tecnici interrati costruire un muro di contenimento con materiale drenante (ovvero, ghiaia) e predisporre una rampa superiore per evitare inondazioni nello scavo effettuato.



Qualora si installino locali tecnici KEOPS su terreni morbidi, utilizzare l'apposito rinforzo interno (cod. 31105R1000).

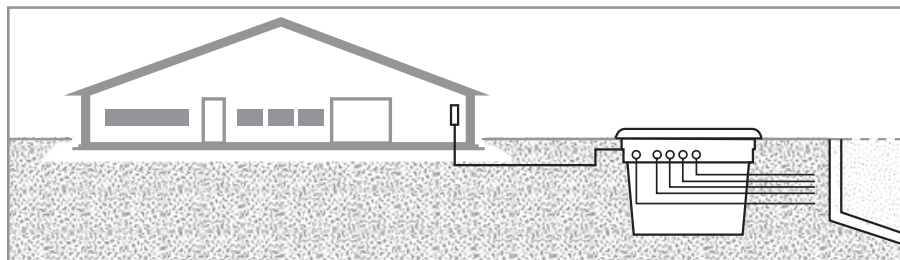


Compattare il terreno prima di interrare il locale tecnico. Per migliorarne la stabilità è consigliabile collocare sul fondo la fondazione di cemento.

## 2.3. TUBAZIONI E VALVOLAME

RAMSES		RAMSES UP		KEOPS		KEFREN									
A	B	C	D	A	B	C	D	A	B	C	D	A	B	C	D
180 mm	180 mm	130 mm	280 mm	132 mm	132 mm	295 mm	205 mm	132 mm	132 mm	282 mm	164 mm	132 mm	132 mm	132 mm	428 mm

INGRESSO (IN)			USCITA (OUT)	
1. SKIMMER (Ø50)	2. POZZETTO DI FONDO (Ø50)	3. BOCCHETTA DI ASPIRAZIONE (Ø50)	4. SCARICO (Ø50)	5. RITORNO PISCINA (Ø50)



- i** Per effettuare il collegamento delle tubazioni, incollare le medesime ai raccordi, forniti in dotazione con la pompa. Gli elementi di unione dei raccordi e delle bocchette di aspirazione/mandata della pompa sono provvisti di filettatura e guarnizioni per evitare fughe d'acqua.
- i** Installare le tubazioni di mandata in maniera assolutamente perpendicolare e centrata rispetto alla bocchetta da collegare per evitare che la pompa e il tubo siano soggetti a sforzi esterni che, oltre a ostacolare il montaggio, potrebbero provocarne la rottura.
- i** Installare i tubi di aspirazione leggermente inclinati (2%) verso la pompa per evitare la formazione di sacche di aria.
- i** Per assicurarsi un buon funzionamento della pompa alimentare il prefiltro della medesima fino a che l'acqua non affiori dal condotto di aspirazione.
- i** Per motivi di trasporto, lo scarico della pompa del gruppo filtrante è scollegato. Incollarlo prima di procedere al rispettivo collegamento esterno.



## 2.4. IMPIANTO ELETTRICO

Perforare il locale tecnico sul lato in cui si prevede di inserire l'alimentazione elettrica, praticando un foro di diametro conforme a quello del cavo che si andrà a installare. Si raccomanda di utilizzare un cavo H07-RNF. Stabilire la sezione del cavo, a seconda della potenza consumata e della caduta di tensione. Installare all'ingresso previsto dei premistoppa adeguati alla sezione del cavo. Si raccomanda di proteggere il cavo lungo il percorso con un tubo adeguato.



Il presente locale tecnico **NON PUÒ COLLEGARSI A UNA SEMPLICE PRESA DELLA CORRENTE**.



**NECESSITA** infatti di UN apposito **IMPIANTO ELETTRICO**. Tale lavoro si dovrà affidare a un tecnico specializzato che lo svolgerà secondo le normative elettriche di sicurezza vigenti in ciascun Paese.



Il locale tecnico deve collegarsi a una presa di corrente alternata da 230 V e 50 Hz.



L'alimentazione elettrica del locale tecnico deve essere **SEMPRE PROTETTA DA UN DIFFERENZIALE DI 30 mA e DA UN INTERRUTTORE MAGNETOTERMICO**.



È necessario **PREDISPORRE UNA PRESA DI MESSA A TERRA**.



Per scollegare il filtro dalla corrente è necessario utilizzare un dispositivo di scollegamento multiplo lasciando tra i contatti una separazione di almeno 3 mm.



Utilizzare un **CAVO CON SEZIONE** adeguata alla potenza del locale tecnico e alla distanza del quadro elettrico.



L'impianto deve essere a **NORMA VDE 0100, parte 702**. Inoltre, deve essere conforme alla normativa locale e/o nazionale vigente in materia.

Prima di procedere con l'impianto elettrico occorre assicurarsi che sia presente il quadro elettrico. In tal caso, andare direttamente al punto 2.4.1 Locale tecnico con quadro elettrico integrato. Altrimenti, in assenza di quadro elettrico, procedere come descritto al punto 2.4.2 Senza quadro elettrico.



Nel momento in cui si collegano i cavi elettrici al locale tecnico, prestare attenzione alla disposizione degli elementi nella scatola di derivazione, verificare che in seguito alla chiusura non siano rimasti all'interno pezzi di cavo e che il conduttore di terra sia ben collegato.



In particolar modo, occorre assicurarsi che non entri mai acqua nel motore né nei componenti elettrici in tensione.



Qualora si intenda utilizzare il locale tecnico per un uso diverso da quello previsto potrebbe essere necessario apportare opportune modifiche o rispettare normative tecniche supplementari.

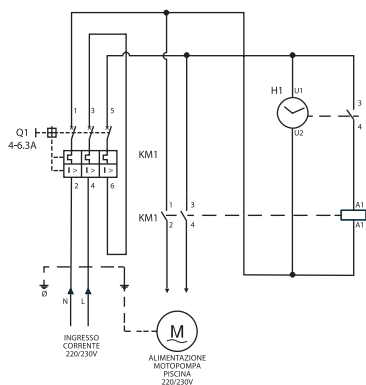


Non perforare il gruppo filtrante poiché l'acqua contenuta nel terreno potrebbe penetrare tramite qualsiasi foro sotto terra.

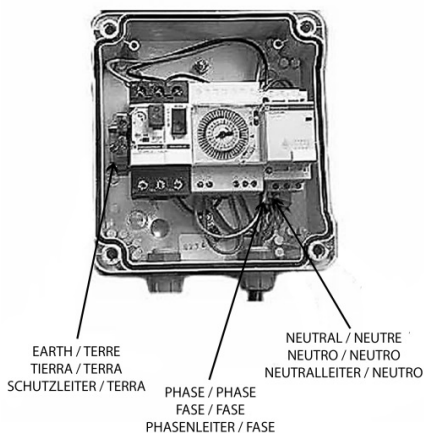
## 2.4.1. LOCALE TECNICO CON QUADRO ELETTRICO INTEGRATO

Per sicurezza, collocare alle estremità dei cavi da collegare dei morsetti adeguati alla sezione dei medesimi.

### TIMER, particolare di quadro elettrico CON/SENZA TRASFORMATORE

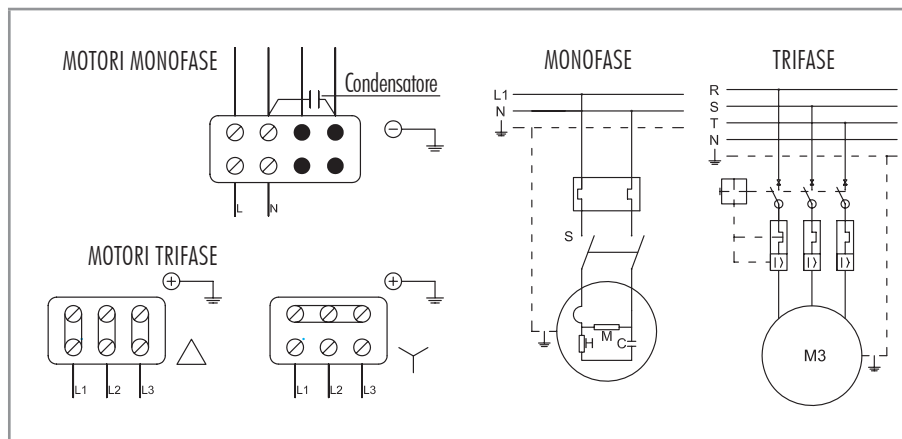


**COLLEGARE IL CAVO DI MESSA A TERRA  
CON IL CAVO DI TERRA DELLA POMPA**



## 2.4.2. SENZA QUADRO ELETTRICO

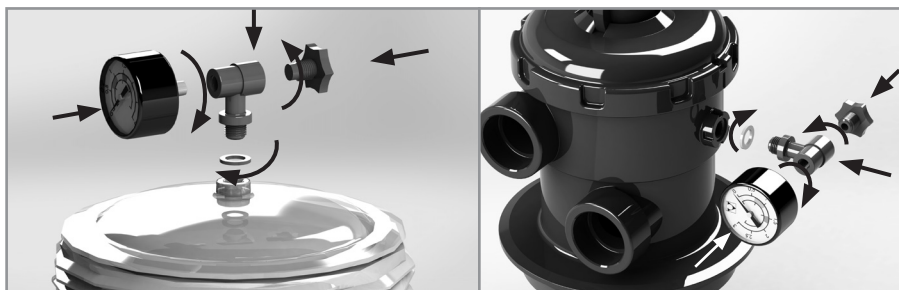
Nello schema sottostante si illustra la morsettiera (scatola di derivazione) della pompa, che può essere MONOFASE O TRIFASE.



Il presente prodotto NECESSITA di UN apposito IMPIANTO ELETTRICO. Tale lavoro si dovrà affidare a un tecnico specializzato che lo svolgerà secondo le normative elettriche di sicurezza vigenti in ciascun Paese.

### 3. MESSA IN FUNZIONE

1. Rimuovere il/i coperchio/i del locale tecnico per procedere alla messa in funzione. Prima di alzare il coperchio allentare le 6 viti di unione presenti sulla rispettiva cerniera.
2. Aprire il filtro e riempirlo d'acqua fino a metà. Proteggere il diffusore presente all'interno del filtro affinché non vi penetri sabbia.
3. Riempire il filtro di sabbia silicea granulometria 0,4-0,8, aggiungendo la quantità riportata sull'etichetta delle caratteristiche oppure fino a 2/3 dell'altezza complessiva del filtro.
4. Montare il raccordo a T del manometro, la guarnizione, il manometro e il tappo di spurgo dell'aria. Non è necessario utilizzare nastro di teflon, poiché in tale punto è la guarnizione a garantire la tenuta. Non serrare il raccordo a T del manometro con utensili, basta la forza manuale.





**Montaggio manometro (valvola laterale)**


**Montaggio manometro (valvola superiore)**

5. Pulire la bocchetta e il coperchio dai resti di sabbia silicea, nonché la sede della guarnizione, quindi chiudere il filtro. Per ulteriori informazioni consultare il manuale del filtro.
6. Qualora il locale tecnico si trovi a un livello superiore rispetto a quello dell'acqua della piscina, alimentare la pompa, aprendo il prefiltro fino a riempirlo d'acqua.
7. Se il locale tecnico si trova sotto il livello dell'acqua basta aprire le valvole di mandata/ritorno, nonché lo spurgo d'aria fino a che il filtro e la pompa non siano pieni d'acqua.
8. Disporre le valvole nella seguente posizione:
  - SKIMMER: APERTA
  - POZZETTO DI FONDO: APERTA
  - PULITORE AUTOMATICO: APERTA
  - RITORNO: APERTA
  - VALVOLA SELETRICE: LAVAGGIO
9. Avviare la pompa ed effettuare un lavaggio del filtro. Eseguire l'operazione di lavaggio fino a che dall'indicatore visivo della valvola selettiva non si veda un'acqua pulita e chiara.
10. Scollegare la pompa. Collocare la valvola selettiva in posizione di risciacquo e avviare la pompa per 15 secondi. Riarrestare la pompa e collocare la valvola selettiva in posizione di filtrazione.

11. Collegare la pompa.
12. Ricollocare i coperchi del locale tecnico, fissandone la parte posteriore con le corrispondenti viti.

 Prima di effettuare qualsiasi intervento sulle valvole seletttrici assicurarsi che la pompa sia ferma. Altrimenti, si potrebbero danneggiare il filtro e l'impianto.

 Si raccomanda di disporre una chiusura o un lucchetto per impedire l'accesso al locale a bambini o persone non autorizzate.

 Prima dell'avvio verificare la taratura dei dispositivi di protezione elettrici del motore, nonché assicurarsi del corretto posizionamento e fissaggio delle protezioni contro i contatti elettrici e meccanici.

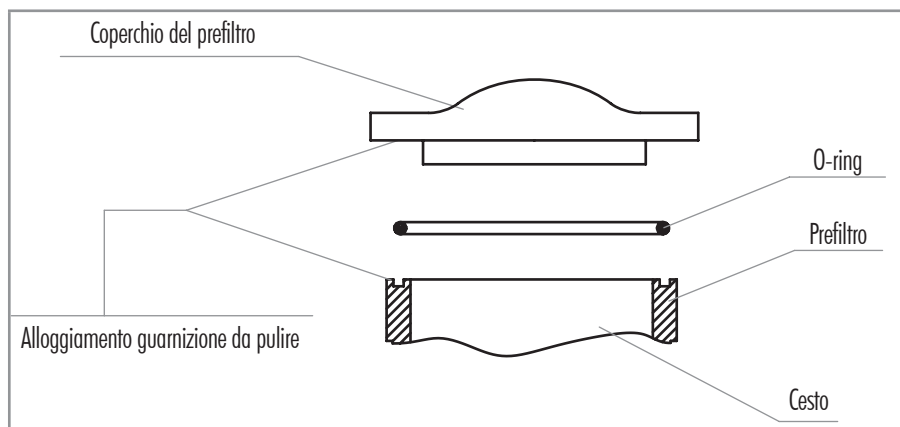
 Non avviare la pompa se nella piscina non vi è acqua.

 Non iniziare l'operazione di filtrazione se il livello dell'acqua non è tale da coprire il coperchio basculante dello skimmer.

### 3.1. POMPA

Prima di avviare la pompa effettuare le seguenti operazioni:

Smontare il coperchio del prefiltro.



Riempire d'acqua la pompa tramite il prefiltro fino a che non affiori dal condotto di aspirazione.

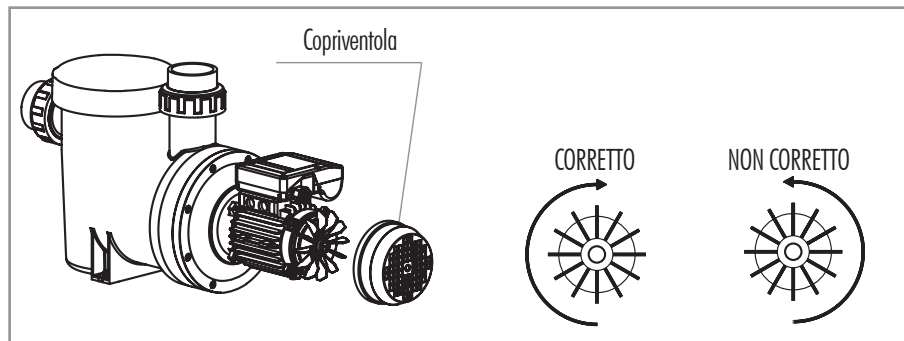
Riposizionare il cesto all'interno del prefiltro, qualora durante tali operazioni si fosse estratto tale elemento, per evitare la penetrazione nella pompa di grosse particelle che potrebbero finire per bloccarla.

Verificare che la tensione e la frequenza della rete corrispondano ai valori riportati sulla targhetta caratteristiche della pompa.

Collocare il coperchio del prefiltro e chiudere, senza dimenticare di riporre la guarnizione nella rispettiva sede.

Le pompe non possono mai funzionare se non si è previamente riempito d'acqua il prefiltro, altrimenti si potrebbe danneggiare il giunto meccanico con conseguenti perdite d'acqua.

Verificare che il motore giri nel senso corretto, facendo funzionare la ventola situata nella parte posteriore per poi osservarla attraverso lo spioncino presente sul copriventola.



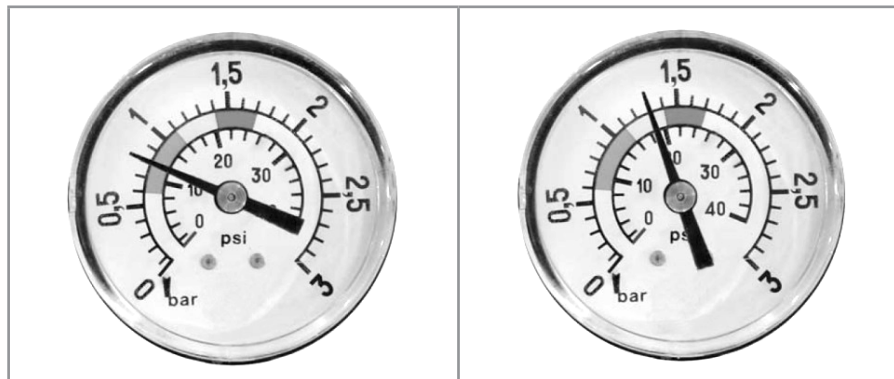
Aprire tutte le valvole e collegare il motore.

Effettuare l'autoalimentazione delle tubazioni e attendere che si concluda in un tempo ragionevole.

## 4. FUNZIONAMENTO

### 4.1. FILTRAZIONE

Con la pompa ferma posizionare la maniglia della valvola selettiva su "FILTRAZIONE" e avviare la pompa. Durante il funzionamento conviene osservare regolarmente il manometro, giacché indica il grado di saturazione del filtro.



**0,8 kg/cm<sup>2</sup> – 11,4 PSI:**  
pressione normale all'avvio di un ciclo di filtrazione

**1,3 kg/cm<sup>2</sup> – 18,5 PSI:**  
valore di pressione che indica la necessità di procedere al LAVAGGIO

## 4.2. LAVAGGIO

Le particelle solide contenute nella piscina e raccolte nel pozzetto di fondo e negli skimmer rimangono impigliate nella sabbia del filtro, per cui la portata dell'acqua diminuisce costantemente. Per contro, la pressione aumenta progressivamente. Appena la pressione arriva a  $1,3 \text{ kg/cm}^2$ , si effettuerà un "LAVAGGIO".

### Procedere come descritto di seguito:

Collocare la valvola selettiva in posizione "LAVAGGIO", dopodiché la pompa si avvierà. Effettuare tale operazione durante 2 minuti. Osservare comunque l'indicatore visivo della valvola selettiva per assicurarsi che il tempo sia giusto, poiché dipende dalla sporcizia accumulata nel filtro.

## 4.3. RISCIAQUO

Dopo aver eseguito un "LAVAGGIO" del filtro e prima di impostare il sistema su filtrazione è conveniente effettuare un "RISCIAQUO" per evitare che la prima quantità d'acqua ancora torbida finisca direttamente nella piscina. A tal fine, con la pompa ferma collocare la valvola selettiva in posizione di "RISCIAQUO". Avviare la pompa per effettuare tale operazione per all'incirca un minuto. Osservare comunque l'indicatore visivo della valvola selettiva per assicurarsi che il tempo sia giusto, poiché dipende dalla sporcizia accumulata nel filtro.

## 4.4. RICIRCOLO

Con la valvola selettiva in tale posizione l'acqua proveniente dalla pompa circola direttamente verso la piscina, senza passare dall'interno del filtro.

## 4.5. SVUOTAMENTO

Qualora la piscina non sia provvista di uno scarico sul fondo, è possibile svuotarla mediante la pompa del filtro, collocando la valvola in posizione di "SVUOTAMENTO". A tal fine, aprire le valvole del pozzetto di fondo e chiudere gli skimmer e il pulitore automatico.

## 4.6. CHIUSURA

Tale posizione impedisce l'immissione d'acqua nel filtro.

# 5. MANUTENZIONE

## 5.1. FILTRO

Per la pulizia del filtro evitare l'impiego di solventi che potrebbero danneggiarlo ed eliminarne la lucentezza.

Sostituire i componenti, quando necessario, e le guarnizioni ormai danneggiate.

Effettuare i lavaggi e i risciacqui necessari, seguendo le istruzioni di funzionamento.

Per un miglior servizio pulire la sabbia tutti gli anni con ASTRAL Filnet solido o Filnet liquido. È consigliabile cambiare la sabbia ogni 3 anni circa.

### Chiusura invernale:

Per evitare di danneggiare il filtro durante la chiusura invernale occorre eseguire le seguenti operazioni:

- Eseguire un lavaggio e un risciacquo, seguendo le precedenti istruzioni.
- Svuotare l'acqua del filtro.
- Rimuovere il coperchio del filtro per mantenerlo ventilato durante il periodo di inattività.
- Se necessario, riazionare il filtro seguendo le istruzioni di MESSA IN FUNZIONE.

## 5.2. POMPA

Pulire regolarmente il cesto del prefiltro per evitare cadute di pressione. Durante le operazioni di pulizia evitare qualsiasi urto che potrebbe provocare rotture del cesto.

In caso di arresto della pompa verificare che il consumo del motore in funzione rappresentato da Ampere sia uguale o inferiore a quello riportato sulla targhetta delle specifiche del produttore o, in sua assenza, rivolgersi al servizio di assistenza tecnica più vicino.

Se non si intende utilizzare la pompa per qualche tempo svuotarla, soprattutto se ci si trova in Paesi freddi a rischio di congelamento.

Per svuotare la pompa estrarre il coperchio di spurgo n. 10.

A ogni apertura del prefiltro pulire la guarnizione e la rispettiva sede da eventuali impurità per garantire così la tenuta stagna della chiusura del coperchio.

Per assicurarsi una buona resa della pompa occorre sostituirci i componenti soggetti a usura e/o deterioramento per normale utilizzo. Nella tabella sottostante si elencano i materiali di consumo e/o i componenti soggetti a usura della pompa, nonché si indica il rispettivo ciclo di vita previsto.

DESCRIZIONE COMPONENTE	DURATA PREVISTA
Guarnizioni o-ring ed elementi di tenuta in generale	1 anno
Chiusura meccanica	1 anno
Cuscinetti	1 anno

La durata prevista per i succitati pezzi è stata calcolata in base a condizioni normali di utilizzo e installazione del prodotto.

Per non accorciare la durata della pompa è importante seguire le istruzioni del manuale di installazione.

### 5.3. ALTRI COMPONENTI



Per quanto concerne i restanti componenti del locale tecnico occorrerà verificare e procedere come specificato nel manuale di uso e manutenzione di ciascun elemento. In questo modo, ci si assicurerà un funzionamento ottimale e sicuro dell'intero gruppo.



Evitare qualsiasi contatto, anche fortuito, con i pezzi mobili presenti nel locale tecnico.



Prima di intervenire sul medesimo attendere che la macchina sia completamente ferma.



Prima di qualsiasi intervento di manutenzione elettrico o meccanico controllare di avere scollegato il gruppo dalla rete di alimentazione e che i dispositivi di avvio siano bloccati.



Prima di toccare l'impianto elettrico controllare che il pavimento sia asciutto.



Non toccare con i piedi bagnati.



## 6. TABELLA DEI GUASTI

PROBLEMI	MOTIVI	SOLUZIONI
L'apparecchiatura non filtra ma l'acqua ricicola.	Il filtro funziona senza cartuccia.	Controllare che il filtro disponga della cartuccia correttamente installata.
L'attrezzatura non impulsa acqua.	Manca l'alimentazione elettrica.	Controllare il collegamento elettrico e che arrivi corrente alla presa.
	Errore di regolazione del salvamotore.	Controllare il consumo della pompa e regolare il salvamotore nel quadro elettrico.
L'apparecchiatura fa ricircolare poca acqua.	Il filtro è saturo.	Pulire la cartuccia del filtro.
	Prefiltro della pompa o dello skimmer otturato.	Pulire il prefiltro della pompa o la cesta dello skimmer.
	Ingresso di aria dalle tubature di aspirazione.	Controllare lo stato dei raccordi e delle giunture del tubo di aspirazione.
	Livello dell'acqua della piscina insufficiente.	Riempire la piscina fino a che il livello dell'acqua copra metà della saracinesca ribaltabile dello skimmer.
	Voltaggio errato.	Controllare che il voltaggio della rete coincida con quello indicato nella targhetta delle caratteristiche del motore.
	Perdite di carica nell'aspirazione.	Controllare che nell'impianto non vi siano elementi che provocano perdite di carica anomale.
La pompa non adesca.	Ingresso d'aria.	Controlli tutti i collegamenti delle tubature e del coperchio della pompa. Riempire d'acqua il prefiltro della pompa.
Il locale tecnico si riempie di acqua	Non si è installato lo scarico della carcassa.	Installare uno scarico per l'evacuazione dell'acqua dalla carcassa.





**Dieses Handbuch enthält wesentliche Informationen über die Sicherheitsvorkehrungen, die bei Installation, Wartung und Inbetriebnahme zu treffen sind. Daher ist es unbedingt erforderlich, dass sowohl der Installateur als auch der Benutzer vor Beginn der Montage und Inbetriebnahme diese Anweisungen lesen.**

Dieses Handbuch kann als PDF von der folgenden Seite heruntergeladen werden: [www.astralpool.com](http://www.astralpool.com)

## 1. ALLGEMEINE SICHERHEIT

In diesem Handbuch werden die folgenden Symbole verwendet:



**GEFAHR** weist auf eine Gefahrensituation hin, die zu schweren Verletzungen bis hin zum Tod führen kann, wenn sie nicht vermieden wird.



**WARNUNG** weist auf eine Gefahrensituation hin, die zu schweren Verletzungen bis hin zum Tod führen kann, wenn sie nicht vermieden wird.



**VORSICHT** weist auf eine Gefahrensituation hin, die zu leichten bis mittelschweren Verletzungen führen kann.



**INFORMATION** wird für Themen verwendet, die nicht mit Personenschaden zusammenhängen.

### ALLGEMEINE SICHERHEITSEMPFEHLUNGEN:



#### GEFAHR

- Die Techniker, die das Gerät montieren, müssen über die erforderliche Qualifikation für diese Art Arbeiten verfügen.
- Vermeiden Sie den Kontakt mit elektrischem Strom.
- Halten Sie die geltenden Vorschriften zur Unfallverhütung ein.
- Diesbezüglich müssen die Normen IEC 364-7-702 eingehalten werden: ANLAGEN
- Die Anlage muss den örtlichen und/oder landesweiten geltenden Vorschriften entsprechen.
- Bei allen Wartungsarbeiten oder beim Auswechseln von Teilen muss der KOMPAKTE FILTERKASTEN vom Stromnetz getrennt sein.
- Fassen Sie das Gerät nicht mit nassen Füßen an.
- Dieses Gerät DARF NICHT AN EINE EINFACHE STECKDOSE ANGESCHLOSSEN WERDEN.
- Dieses Gerät BENÖTIGT EINE GEEIGNETE ELEKTRISCHE INSTALLATION. Sie muss von einem Elektriker gemäß den geltenden elektrischen Sicherheitsvorschriften des betreffenden Landes vorgenommen werden.
- Die Stromversorgung des Filterkastens muss IMMER DURCH EINEN DIFFERENZIALSCHALTER VON 30 mA UND EINEN LEISTUNGSSCHUTZSCHALTER GESCHÜTZT SEIN.
- Die Anlage muss unbedingt GEERDET werden.
- Verwenden Sie ein KABEL MIT EINEM PASSENDEN DURCHMESSER für die Stromstärke des Kastens und die Entfernung zur Schalttafel.
- Bringen Sie ein Schloss oder ein Vorhängeschloss an, damit keine Kinder oder nicht autorisierte Personen Zugang zum Inneren erhalten.
- DER POSITIONSWECHSEL AM MEHRWEGEVENTIL MUSS IMMER BEI ANGEHALTENER PUMPE ERFOLGEN.
- Öffnen Sie nicht den Deckel des Kastens, wenn es windig ist oder starker Luftzug herrscht.
- Der Hersteller ist in keinem Fall für die Montage, Installation oder Inbetriebnahme sowie für jegliche Handhabung oder Einbeziehung von elektrischen Komponenten verantwortlich, die nicht in seinen Einrichtungen vorgenommen wurden.

## 2. INSTALLATION

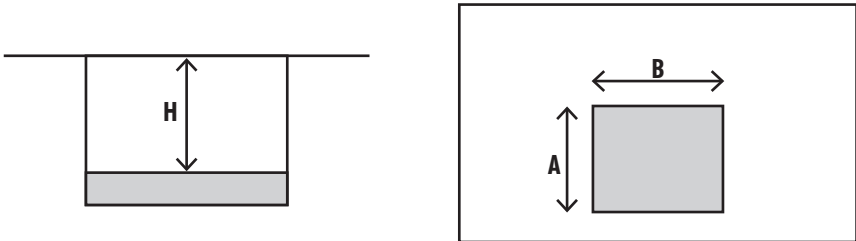
### 2.1. ORT

Es wird empfohlen, das Gerät in einem Abstand von mindestens 3,5 Metern vom Poolrand aufzustellen, wobei immer die geltenden Vorschriften einzuhalten sind.

### 2.2. VORGEHENSWEISE

Heben Sie eine Vertiefung aus, in der der Kasten sowie die erforderlichen Hydraulik- und Elektroleitungen untergebracht werden. (Gilt nur für die Kästen RAMSES, KEOPS und KEFREN).

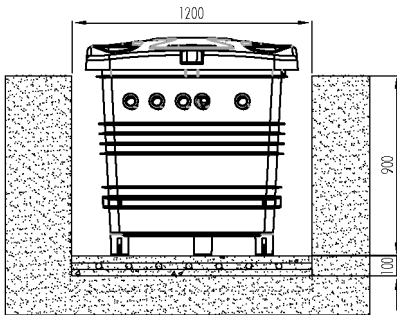
- Nivellieren und kompaktieren Sie die Stellfläche.
- Stellen Sie den Kasten auf.
- Installieren Sie die Hydraulikrohre, darunter die Abwasserleitung und die durch ein Wellrohr geschützte elektrische Anlage.
- Bei in den Boden eingelassenen Kästen muss ein Betonboden gegossen werden, bis die Stellfüße bedeckt sind (15-20 cm).
- Der restliche Freiraum des Aushubs wird zur Drainage und zum Verdichten mit Kies gefüllt. Oben muss eine leicht geneigte Rampe angelegt werden, um Überschwemmungen zu vermeiden.



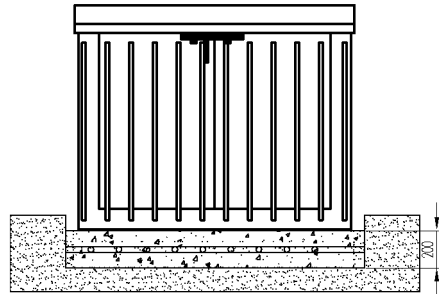
	<b>A</b>	<b>B</b>	<b>H</b>
<b>KEOPS</b>	113 cm	120 cm	95 cm
<b>KEFREN</b>	115 cm	115 cm	60 cm
<b>RAMSES</b>	109 cm	107 cm	90 cm
<b>RAMSES UP</b>	120 cm	146 cm	-

## AUSHUB

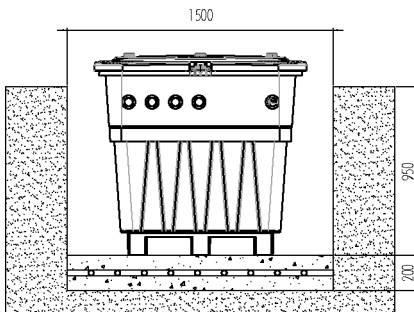
## RAMSES



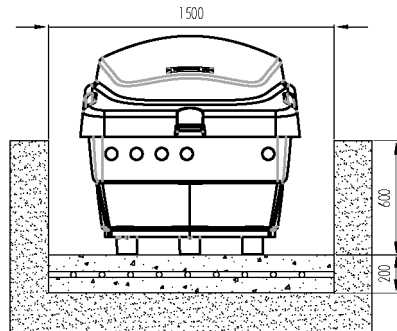
## RAMSES UP



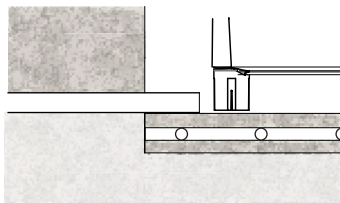
## KEOPS



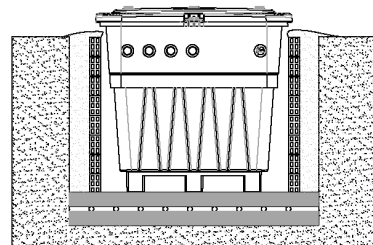
## KEFREN



Graben Sie unterirdisch verlegte Rohre im Sandbett aus, mit Gulli in die allgemeine Kanalisation



Bei in den Boden eingelassenen Kästen errichten Sie eine Stützmauer mit Kiesfüllung zur Drainage, die oben eine Rampe aufweist, um Überschwemmungen des aufgehobenen Bereichs zu vermeiden.

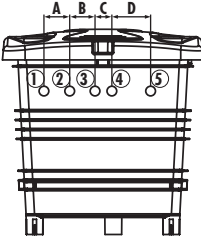
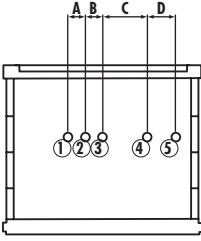
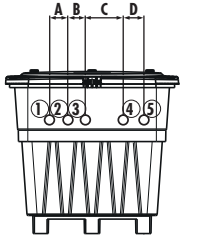
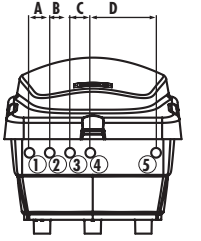


Bei Aufstellung der KEOPS-Kästen auf weichem Gelände wird eine Innenverstärkung Ref. 31105R1000 montiert.

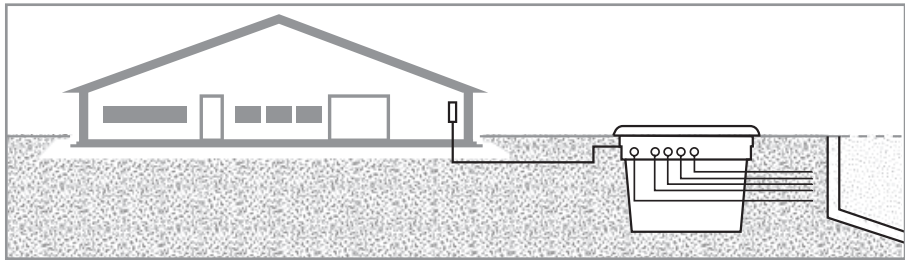


Kompaktieren Sie den Boden, bevor der Kasten in das Gelände eingelassen wird. Verlegen Sie unten eine Betonplatte, um die Stabilität des Kastens zu verbessern

## 2.3. ROHRE UND VENTILE

RAMSES		RAMSES UP		KEOPS		KEFREN	
							
A	B	C	D	A	B	C	D
180 mm	180 mm	130 mm	280 mm	132 mm	132 mm	295 mm	205 mm
A	B	C	D	A	B	C	D
132 mm	132 mm	282 mm	164 mm	132 mm	132 mm	132 mm	428 mm

IN			OUT	
1. SKIMMER (Ø50)	2. GULLI (Ø50)	3. ANSAUGDÜSE (Ø50)	4. WASSERABLAUF (Ø50)	5. RÜCKLAUF IN DEN POOL (Ø50)



- i** Für den Anschluss an das Rohrsystem muss das Rohr am Anschlussstück, das im Lieferumfang der Pumpe enthalten ist, verklebt werden. Die Verbindungen der Anschlussstücke mit den Ansaugdüsen und dem Pumpenantrieb werden verschraubt und haben Dichtungen, um Wasserlecks zu vermeiden.
- i** Die Antriebsrohre müssen vollkommen lotrecht und gut zentriert zur anzuschließenden Düse aufgestellt werden, um zu verhindern, dass die Pumpe und das Rohr externen Kräften ausgesetzt sind, die nicht nur die Montage erschweren, sondern auch zum Brechen der Teile führen können.
- i** Das Ansaugrohr muss mit einer leichten Neigung von 2 % zur Pumpe installiert werden, um die Bildung von Luftblasen zu vermeiden.
- i** Für ein korrektes Funktionieren der Pumpe muss der Vorfilter der Pumpe mit Wasser befüllt werden, bis das Wasser aus dem Ansaugrohr herausquillt.
- i** Für den Transport ist der Abwasseranschluss der Pumpe nicht an den Filterkasten angeschlossen. Vor dem Außenanschluss muss er verklebt werden.

## 2.4. ELEKTRIK

Durchbohren Sie den Kasten auf der Seite, auf der die Stromleitung durchgeführt werden soll, mit einem Durchmesser, der dem zu installierenden Kabel entspricht. Es wird empfohlen, H07-RNF-Kabel zu verwenden. Bestimmen Sie den Kabeldurchmesser entsprechend der Leistungsaufnahme und dem Spannungsabfall. Installieren Sie am vorgesehenen Eingang Stopfbuchsen, die für den Kabeldurchmesser geeignet sind. Es wird empfohlen, das Kabel in seinem Verlauf durch ein passendes Rohr zu schützen.



Dieses Gerät **DARF NICHT AN EINE EINFACHE STECKDOSE ANGESCHLOSSEN WERDEN.**



Dieses Gerät **BENÖTIGT EINE GEEIGNETE ELEKTRISCHE INSTALLATION.** Sie muss von einem Elektriker gemäß den geltenden elektrischen Sicherheitsvorschriften des betreffenden Landes vorgenommen werden.



Das Gerät muss an eine Wechselstromsteckdose mit 230 V und 50 Hz angeschlossen werden.



Die Stromversorgung des Filterkastens muss **IMMER DURCH EINEN DIFFERENZIALSCHALTER VON 30 mA UND EINEN LEISTUNGSSCHUTZSCHALTER GESCHÜTZT SEIN.**



Die Anlage muss unbedingt **GEERDET** werden.



Es muss unbedingt eine Vorrichtung zur mehrfachen Verbindungstrennung mit einem Abstand von mindestens 3 mm zwischen den Kontakten verwendet werden, um den Filter von der Stromversorgung zu trennen.



Verwenden Sie ein **KABEL MIT EINEM PASSENDEN DURCHMESSER** für die Stromstärke des Kastens und die Entfernung zur Schalttafel.



Die Anlage muss der **NORM VDE 0100, Teil 702** entsprechen. Zudem muss sie den örtlichen und/oder landesweiten geltenden Vorschriften entsprechen.

Für die elektrische Installation muss festgestellt werden, ob eine Schalttafel vorhanden ist. Wenn eine Schalttafel vorhanden ist, gehen Sie weiter zu Punkt 2.4.1 Mit elektrischer Schalttafel im Inneren des Kastens. Wenn keine Schalttafel vorhanden ist, gehen Sie weiter zu Punkt 2.4.2 Ohne elektrische Schalttafel.



Beim Anschluss der elektrischen Kabel an das Gerät muss auf die Anordnung im Inneren des Schaltkastens geachtet werden. Prüfen Sie, dass nach dem Verschluss keine Kabelstücke im Inneren geblieben sind und dass der Erdleiter richtig angeschlossen ist.



Achten Sie besonders darauf, dass keinesfalls Wasser in den Motor und in die elektrischen Teile eindringen kann.



Falls die vorgesehene Nutzung nicht die angegebene ist, können Anpassungen und ergänzende technische Vorschriften erforderlich werden.



Es wird empfohlen, den Filterkasten nicht zu durchbohren, da das im Boden enthaltene Wasser durch jede Öffnung eindringen kann, wenn der Kasten in den Boden eingelassen wird.

### 2.4.1. MIT ELEKTRISCHER SCHALTAFEL IM INNEREN DES KASTENS

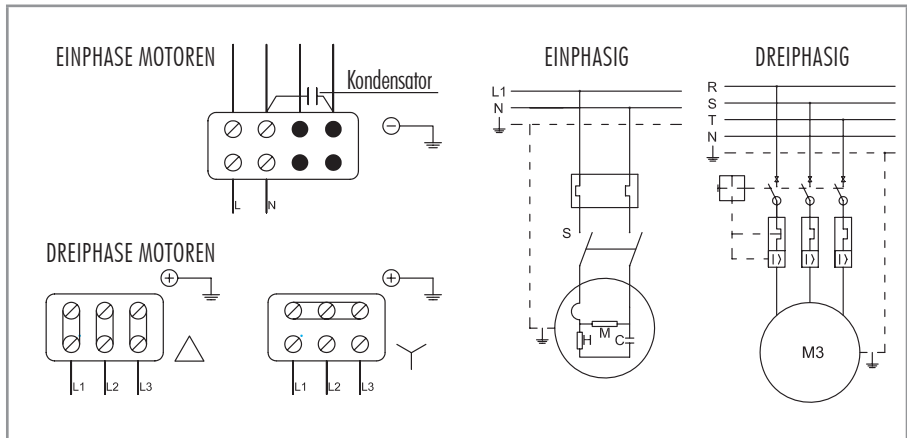
Bringen Sie aus Sicherheitsgründen Klemmen an den Enden der anzuschließenden Kabel an, die sich für den Kabeldurchmesser eignen.

**ZEITSCHALTUHR, Detail elektrischer Schaltschrank TRAFO/KEIN TRAFO**

**⚠️ ACHTUNG!! ERDUNGSDRAHT AN PUMPE ANSCHLIESSEN**

### 2.4.2. OHNE ELEKTRISCHE SCHALTAFEL

Das folgende Diagramm bezieht sich auf die Klemmleiste (Anschlusskasten) der Pumpe, die eine WECHSELSTROM-PUMPE oder eine DREHSTROMPUMPE sein kann.

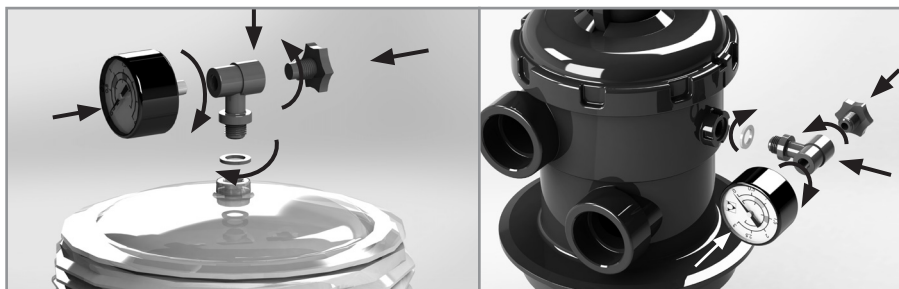


**⚡** Dieses Gerät **BENÖTIGT** EINE GEEIGNETE ELEKTRISCHE INSTALLATION. Sie muss von einem Elektriker gemäß den geltenden elektrischen Sicherheitsvorschriften des betreffenden Landes vorgenommen werden.



### 3. INBETRIEBNAHME

1. Nehmen Sie die Abdeckung(en) des Kastens ab, um die Inbetriebnahme zu beginnen. Lösen Sie die 6 Schrauben, mit denen der Deckel befestigt ist, aus dem Scharnier, bevor Sie den Deckel anheben.
2. Öffnen Sie den Filter und füllen Sie ihn zur Hälfte mit Wasser. Schützen Sie den Diffuser im Filterinneren, damit kein Sand eindringen kann.
3. Füllen Sie den Filter mit Filtersand in Körnergröße 0,4-0,8 in der auf dem Leistungsetikett angegebenen Menge bzw. auf 2/3 der Gesamtfilterhöhe.
4. Bringen Sie das T-Stück des Druckmessers, die Dichtung, den Druckmesser und den Entlüftungsstopfen an. Die Verwendung von Teflonband ist nicht erforderlich, da an dieser Stelle die Dichtigkeit durch die Dichtung gewährleistet wird. Drücken Sie das T-Stück des Druckmessers nicht mit einem Werkzeug zu; ein Zudrücken per Hand reicht aus.




Anbringung Druckmesser (mit Ventil an der Seite)


Anbringung Druckmesser (mit Ventil oben)

5. Reinigen Sie die Düse und den Deckel sowie das Lager der Dichtung von Sandresten, und schließen Sie den Filter. Weitere Informationen entnehmen Sie dem Filterhandbuch.
6. Wenn der Kasten oberhalb des Poolwasserstands aufgestellt wird, muss die Pumpe vorgefüllt werden. Öffnen Sie den Vorfilter und füllen Sie ihn mit Wasser.
7. Wenn der Kasten unterhalb des Wasserstands aufgestellt wird, genügt es, die Hin- und Rückventile und das Entlüftungsventil zu öffnen, bis sich der Filter und die Pumpe mit Wasser gefüllt haben.
8. Stellen Sie die Ventile auf die folgende Position:
  - SKIMMER: OFFEN
  - GULLI: OFFEN
  - BODENREINIGER: OFFEN
  - RÜCKLAUF: OFFEN
  - MEHRWEGEVENTIL: WASCHEN
9. Schalten Sie die Pumpe ein und führen Sie eine Filterwäsche durch. Waschen Sie so lange, bis im Sichtfenster des Mehrwegeventils sauberes und klares Wasser zu sehen ist.

10. Schalten Sie die Pumpe aus. Stellen Sie das Mehrwegeventil auf Position „Spülen“, und setzen Sie die Pumpe 15 Sekunden lang in Betrieb. Halten Sie die Pumpe wieder an und stellen Sie das Mehrwegeventil auf die Position „Filtern“.
11. Schalten Sie die Pumpe ein.
12. Setzen Sie die Abdeckungen des Kastens wieder auf und befestigen Sie die hintere Seite mit den entsprechenden Schrauben.

 Alle Eingriffe am Mehrwegeventil müssen bei angehaltener Pumpe vorgenommen werden. Es können Schäden am Filter und an der Anlage auftreten.

 Es wird empfohlen, ein Schloss oder ein Vorhängeschloss anzubringen, damit keine Kinder oder nicht autorisierte Personen Zugang zum Inneren erhalten.

 Überprüfen Sie vor Inbetriebnahme des Geräts die Kalibrierung der elektrischen Schutzvorrichtungen des Motors und die Schutzvorrichtung gegen elektrische und mechanische Kontakte, damit diese korrekt positioniert und befestigt sind.

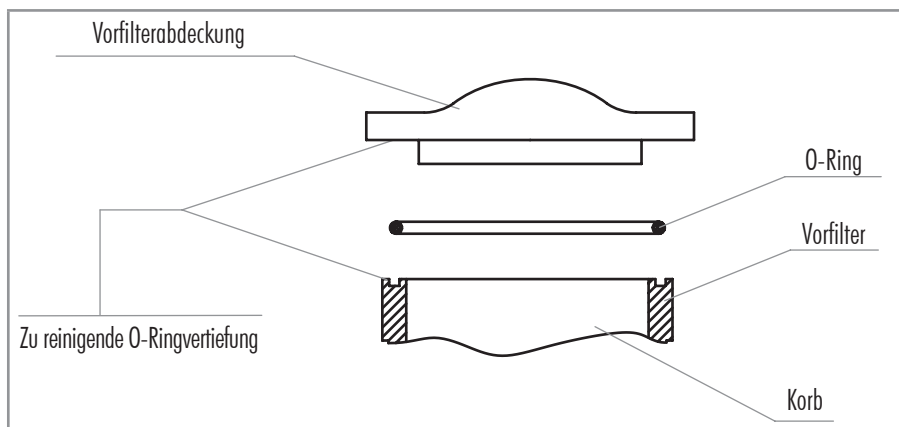
 Setzen Sie die Pumpe nicht in Betrieb, wenn der Pool kein Wasser enthält.

 Beginnen Sie den Filtervorgang nicht, wenn der Wasserstand nicht einen Teil des Schwingdeckels des Skimmers bedeckt.

### 3.1. PUMPE

Führen Sie vor Inbetriebnahme der Pumpe die folgenden Schritte aus.

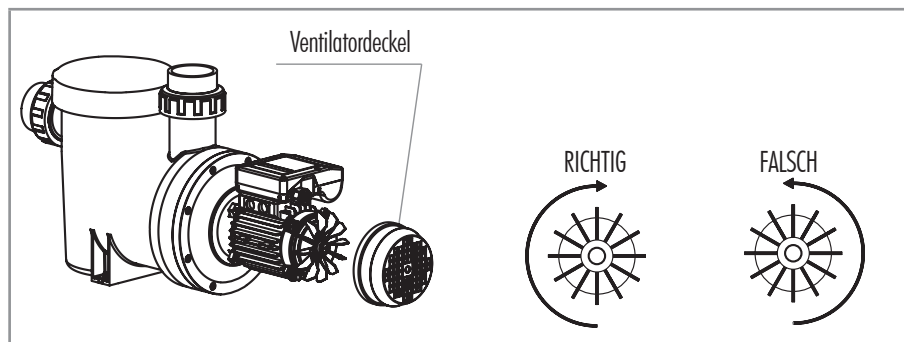
Montieren Sie den Deckel des Vorfilters ab.



Füllen Sie die Pumpe durch den Vorfilter, bis das Wasser durch das Ansaugrohr herausquillt.

Setzen Sie den Korb wieder in den Vorfilter ein, wenn Sie ihn für den vorigen Vorgang herausgenommen haben, um das Eindringen von großen Partikeln in die Pumpe zu vermeiden, die diese blockieren könnten.

Prüfen Sie, ob die Spannung und die Frequenz des Stromnetzes denen auf dem Typenschild der Pumpe entsprechen. Legen Sie den Deckel des Vorfilters auf und schließen Sie ihn, nachdem Sie die Dichtung in ihr Lager eingeführt haben. Die Pumpen dürfen nie in Betrieb genommen werden, ohne zuvor den Vorfilter mit Wasser gefüllt zu haben. Andernfalls kann die Gleitringdichtung beschädigt werden, was zu Wasserlecks an der Dichtung führt. Überprüfen Sie, dass die Drehrichtung des Motors korrekt ist. Beobachten Sie hierzu den Ventilator an der Rückseite des Motors durch das Sichtfenster des Ventilatordeckels.



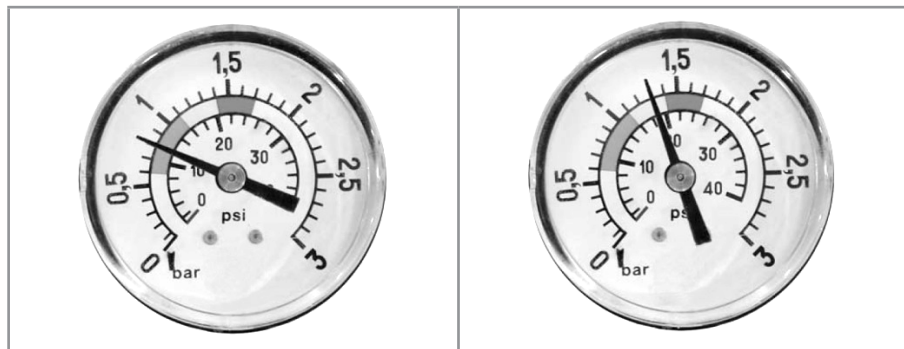
Öffnen Sie alle Ventile und schalten Sie den Motor ein.

Nehmen Sie die automatische Füllung des Rohrs vor und warten Sie die entsprechende Zeit ab.

## 4. BETRIEB

### 4.1. FILTERUNG

Stellen Sie bei angehaltener Pumpe den Zeiger des Mehrwegeventils auf „FILTERN“. Schalten Sie die Pumpe ein. Während des Betriebs sollte regelmäßig der Druckmesser abgelesen werden, der den Grad der Filtersättigung angibt.



**0,8 kg/cm<sup>2</sup> – 11,4 PSI:**  
Normaler Druck zu Beginn eines Filterzyklus

**1,3 kg/cm<sup>2</sup> – 18,5 PSI:**  
Dieser Druck gibt an, dass ein WASCHEN erforderlich ist.

## 4.2. WASCHEN

Die im Pool enthaltenen festen Partikel, die vom Gulli und den Skimmern gesammelt werden, bleiben im Filtersand zurück, weshalb der Wasserdurchfluss sich kontinuierlich verringert. Aus diesem Grund steigt der Druck allmählich an. Wenn der Druck 1,3 kg/cm<sup>2</sup> erreicht hat, wird ein „WASCHEN“ vorgenommen.

### Gehen Sie wie folgt vor:

Stellen Sie das Mehrwegeventil auf Position „WASCHEN“ und schalten Sie die Pumpe ein. Lassen Sie die Pumpe 2 Minuten lang laufen. Beobachten Sie den Vorgang aber durch das Sichtfenster des Mehrwegeventils, um zu prüfen, ob diese Zeit angemessen ist, da die Dauer von der Menge des im Filter angesammelten Schmutzes abhängt.

## 4.3. SPÜLEN

Nach dem „WASCHEN“ des Filters und vor einer Filterung des Systems sollte ein „SPÜLEN“ vorgenommen werden, um zu vermeiden, dass die erste, noch trübe Wassermenge direkt in den Pool gelangt. Halten Sie dafür die Pumpe wieder an und setzen Sie das Mehrwegeventil auf die Position „SPÜLEN“. Setzen Sie die Pumpe für diesen Vorgang ca. eine Minute lang in Betrieb. Beobachten Sie den Vorgang aber durch das Sichtfenster des Mehrwegeventils, um zu prüfen, ob diese Zeit angemessen ist, da die Dauer von der Menge des im Filter angesammelten Schmutzes abhängt.

## 4.4. UMWÄLZUNG

In dieser Position leitet das Mehrwegeventil das Wasser aus der Pumpe direkt in den Pool, nicht durch den Filter.

## 4.5. LEEREN

Wenn kein Wasserablauf im Poolboden vorhanden ist, kann der Pool über die Filterpumpe geleert werden, indem das Ventil auf die Position „LEEREN“ gesetzt wird. Öffnen Sie für diesen Vorgang die Ventile des Gullis und schließen Sie die Ventile der Skimmer und Bodenreiniger.

## 4.6. GESCHLOSSEN

In dieser Position wird der Wassereingang zum Filter geschlossen

# 5. WARTUNG

## 5.1. FILTER

Verwenden Sie zum Reinigen des Filters keine Lösungsmittel, da dadurch der Glanz verschwinden und das Gerät beschädigt werden kann.

Wechseln Sie bei Bedarf beschädigte Teile und Dichtungen aus.

Nehmen Sie die nötigen Wasch- und Spülvorgänge entsprechend der Bedienungsanleitung vor.

Reinigen Sie für ein besseres Funktionieren den Sand einmal jährlich mit festem ASTRAL Filnet oder mit flüssigem Filnet. Es wird empfohlen, den Sand ca. alle 3 Jahre auszuwechseln.

### Überwinterung:

Damit der Filter während der Überwinterung nicht beschädigt wird, müssen die folgenden Vorgänge ausgeführt werden:

- Nehmen Sie einen Wasch- und Spülvorgang entsprechend den obigen Anweisungen vor.
- Entleeren Sie das Wasser aus dem Filter.
- Nehmen Sie den Filterdeckel ab, damit der Filter während der inaktiven Zeit gut belüftet wird.
- Wenn der Filter wieder in Betrieb genommen werden soll, folgen Sie den Anweisungen unter INBETRIEBNAHME.

## 5.2. PUMPE

Reinigen Sie den Korb des Vorfilters regelmäßig, um Druckabfälle zu vermeiden. Vermeiden Sie Stöße während des Reinigungsvorgangs, um den Korb nicht zu beschädigen.

Wenn die Pumpe stehen bleibt, prüfen Sie, ob der Ampere-Verbrauch des laufenden Motors bei oder unter den Angaben auf dem Typenschild des Herstellers liegt, oder wenden Sie sich an einen technischen Kundendienst in Ihrer Nähe.

Leeren Sie die Pumpe, wenn sie einige Zeit nicht in Betrieb genommen werden soll, vor allem in kalten Ländern, in denen Frostgefahr besteht.

Nehmen Sie zum Entleeren der Pumpe den Entlüftungstopfen 10 heraus.

Reinigen Sie bei jedem Öffnen des Vorfilters die Verschmutzungen im Lager der Dichtung und auf der Dichtung selbst, um die Dichtigkeit beim Schließen des Deckels zu gewährleisten.

Die Komponenten der Pumpe, die bei regulärer Verwendung abgenutzt und/oder verschlissen werden, müssen regelmäßig ausgewechselt werden, um eine gute Leistung der Pumpe aufrecht zu erhalten. In der folgenden Tabelle werden die Verschleiß- bzw. Verbrauchskomponenten der Pumpe und deren ungefähre Lebensdauer aufgeführt.

BESCHREIBUNG DER KOMPONENTE	UNGEFÄHRE LEBENSDAUER
O-Ring-Dichtungen und Dichtungselemente allgemein	1 Jahr
Gleitringdichtung	1 Jahr
Lager	1 Jahr

Die ungefähre Lebensdauer der obigen Teile wurde für normale Nutzungsbedingungen und Installation des Produkts berechnet.

Folgen Sie den Anweisungen des Installationshandbuchs, um die Lebensdauer der Pumpe zu gewährleisten.

### 5.3. WEITERE KOMPONENTEN



Die restlichen Komponenten des Kastens müssen gemäß den Anweisungen in der Bedienungs- und Wartungsanleitung der einzelnen Elemente des Kastens überprüft und gehandhabt werden, um für einen optimalen und sicheren Betrieb der ganzen Anlage zu sorgen.



Vermeiden Sie jeden (auch zufälligen) Kontakt mit den sich bewegenden Teilen des Geräts.



Warten Sie, bis das Gerät vollständig angehalten ist, bevor Sie einen Eingriff daran vornehmen.



Vergewissern Sie sich vor allen elektrischen oder mechanischen Wartungsarbeiten, dass das Gerät vom Stromnetz getrennt wurde und dass die Vorrichtungen für die Inbetriebsetzung gesperrt sind.



Vergewissern Sie sich, dass der Boden trocken ist, bevor Sie die elektrische Anlage berühren.



Fassen Sie das Gerät nicht mit nassen Füßen an.

## 6. FEHLERTABELLE

PROBLEMFÄLLE	GRÜNDE	LÖSUNGEN
Das Gerät filtert nicht, obwohl Wasser zirkuliert.	Der Filter arbeitet ohne Kartusche.	Stellen Sie sicher, dass der Filter über eine korrekt installierte Kartusche verfügt.
Das Gerät treibt kein Wasser voran.	Fehlende Stromversorgung.	Überprüfen Sie die Stromverbindung und das Gelangen von Strom zur Buchse.
	Der Motorschutz ist schlecht eingestellt.	Überprüfen Sie den Verbrauch der Pumpe und passen Sie den Motorschutz des elektrischen Schaltkastens an.
Das Gerät treibt wenig Wasser voran.	Der Filter ist gesättigt.	Führen Sie einen Filter Waschvorgang durch.
	Der Vorfilter der Pumpe oder des Skimmers ist verschmutzt.	Reinigen Sie den Vorfilter der Pumpe oder den Korb des Skimmers.
	Es gelangt Luft in die Saugrohre.	Überprüfen Sie den Zustand der Verbindungsstücke und der Dichtungen des Saugrohres.
	Unzureichender Wasserstand des Schwimmbeckens.	Füllen Sie das Schwimmbecken, bis der Wasserstand die Hälfte der Kippschleuse des Skimmers deckt.
	Fehlerhafte Spannung.	Überprüfen Sie, ob die Netzspannung mit der Spannung übereinstimmt, die auf der Plakette mit den Motoreigenschaften angegeben ist.
	Verlust von Ladung beim Ansaugen.	Stellen Sie sicher, dass im Geräte keine Elemente vorhanden sind, die ungewöhnliche Verluste von Ladung verursachen.
Die Pumpe füllt sich nicht.	Eindringen von Luft.	Überprüfen Sie alle Rohrverbindungen. Füllen Sie den Vorfilter der Pumpe mit Wasser.
Das Gehäuse füllt sich mit Wasser.	Der Abfluss des Gehäuses wurde nicht installiert.	Installieren Sie einen Abfluss für die Entleerung des Wassers aus dem Gehäuse.





**O manual fornecido contém informação fundamental sobre as medidas de segurança a adotar durante as fases de instalação, manutenção e colocação em funcionamento. Por isso, é imprescindível que tanto o instalador como o utilizador leiam as instruções antes de realizar as operações de montagem e colocação em funcionamento.**

O manual pode ser descarregado em pdf no seguinte site: [www.astralpool.com](http://www.astralpool.com)



## 1. SEGURANÇA GERAL

Os símbolos utilizados neste manual são os seguintes:



**PERIGO** indica uma situação perigosa que, se não for evitada, pode derivar em ferimentos graves ou na morte.



**ADVERTÊNCIA** indica uma situação perigosa que, não sendo evitada, poderia derivar em ferimentos graves ou na morte.



**PRECAUÇÃO** indica uma situação perigosa que pode derivar em ferimentos graves ou moderados.



**IIINFORMAÇÃO** emprega-se para fazer referência a questões não relacionadas com danos pessoais.

## RECOMENDAÇÕES GERAIS DE SEGURANÇA:



### PERIGO

- As pessoas que se encarregarem da montagem deverão contar com a qualificação requerida para este tipo de trabalhos.
- Deve-se evitar entrar em contacto com a tensão elétrica.
- Devem-se respeitar as normas em vigor para a prevenção de acidentes.
- A tal respeito, devem cumprir-se as normas IEC 364-7-702: INSTALAÇÕES
- A instalação deverá cumprir a legislação local e/ou nacional aplicável em vigor.
- Qualquer operação de manutenção ou substituição de peças deve ser realizada com o EQUIPAMENTO desligado da rede.
- Não manipule com os pé molhados.
- Este equipamento NÃO PODE SER LIGADO A UMA SIMPLES TOMADA ELÉTRICA.
- Este equipamento REQUER UMA INSTALAÇÃO ELÉTRICA adequada. Esta deve ser efetuada por uma pessoa especializada seguindo as normas elétricas de segurança em vigor em cada país.
- A alimentação elétrica da caixa deve estar SEMPRE PROTEGIDA POR UM DIFERENCIAL DE 30 mA E UM INTERRUPTOR MAGNETOTÉRMICO.
- É imprescindível REALIZAR UMA LIGAÇÃO DE TERRA.
- Utilize um CABO DE SECÇÃO apropriada à potência da caixa e à distância do quadro.
- Coloque um fecho ou um cadeado para que não possam aceder ao interior da caixa crianças ou pessoas não autorizadas.
- EFETUE SEMPRE AS MUDANÇAS DE POSIÇÃO DA VÁLVULA SELETORA COM A BOMBA PARADA.
- Não abra a tampa do equipamento caso este possa estar submetido a ventos ou correntes de ar consideráveis.
- O fabricante não se responsabiliza, em nenhum caso, por qualquer montagem, instalação, colocação em funcionamento, nem por qualquer manipulação ou incorporação de componentes elétricos que não se tenha levado a cabo nas suas instalações.

## 2. INSTALAÇÃO

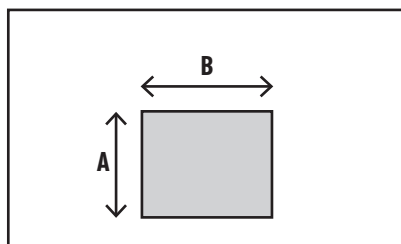
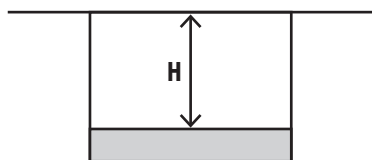
### 2.1. LUGAR

Aconselha-se colocar o equipamento afastado da piscinas, no mínimo a 3,5 da borda da piscina, e sempre respeitando a legislação aplicável em vigor.

### 2.2. PROCEDIMENTO

Realize a escavação para alojar a caixa e as tubagens hidráulicas e elétricas necessárias. (Só se aplica às caixas RAMSES, KEOPS e KEFREN.)

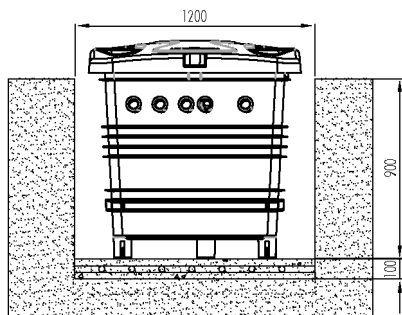
- Nivele e compacte a base.
- Coloque a caixa.
- Instale as tubagens hidráulicas, incluindo o ralo e a instalação elétrica protegida com tubo corrugado.
- Nas caixas enterradas, ponha uma base de betão até cobrir aproximadamente os pés (15-20 cm).
- Encha o espaço restante da escavação com gravilha para a drenagem e compacte. Deixe uma ligeira rampa superior para evitar inundações.



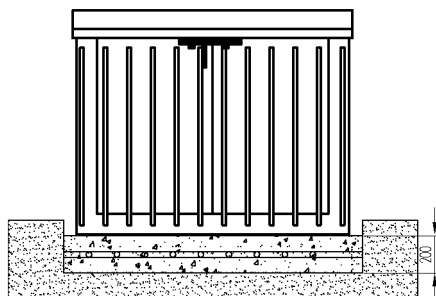
	<b>A</b>	<b>B</b>	<b>H</b>
<b>KEOPS</b>	113 cm	120 cm	95 cm
<b>KEFREN</b>	115 cm	115 cm	60 cm
<b>RAMSES</b>	109 cm	107 cm	90 cm
<b>RAMSES UP</b>	120 cm	146 cm	-

# ESCAVAÇÃO

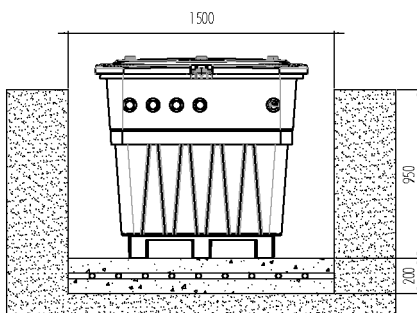
**RAMSES**



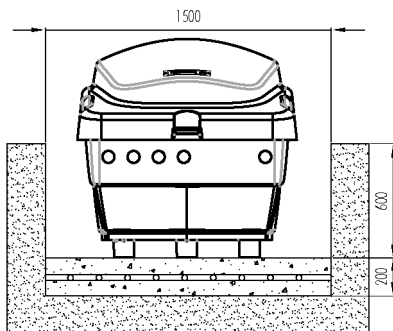
**RAMSES UP**



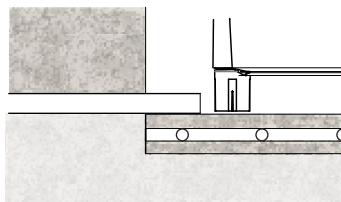
**KEOPS**



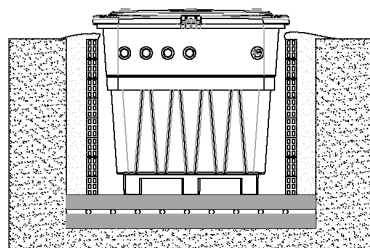
**KEFREN**



Escave as canalizações enterradas, em solo de areia, do escoadouro para o esgoto geral.



Em caixas enterradas, realize um muro de contenção com recheio de gravilha para drenagem, com rampa superior para evitar inundações na escavação realizada.



Em instalações de caixas KEOPS em terreno mole, instale um reforço interior Ref.31105R1000.

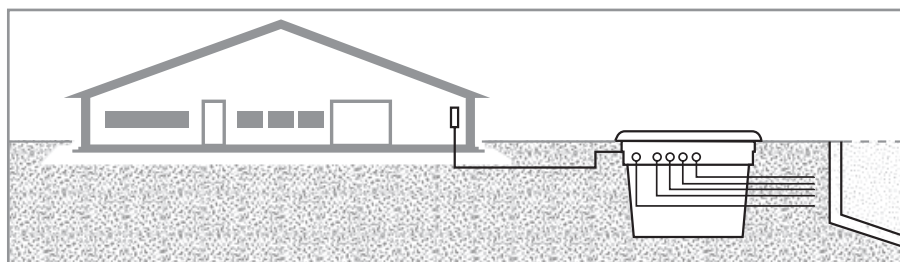


Compacte a terra antes de introduzir a caixa no terreno. Ponha a laje de betão na parte inferior para melhorar a estabilidade da caixa.

## 2.3. TUBAGENS E VÁLVULAS

RAMSES		RAMSES UP		KEOPS		KEFREN									
A	B	C	D	A	B	C	D	A	B	C	D	A	B	C	D
180 mm	180 mm	130 mm	280 mm	132 mm	132 mm	295 mm	205 mm	132 mm	132 mm	282 mm	164 mm	132 mm	132 mm	132 mm	428 mm

IN			OUT	
1. SKIMMER (Ø50)	2. ESCOADOURO (Ø50)	3. BOCA DE ASPIRAÇÃO (Ø50)	4. RALO (Ø50)	5. RETORNO PARA A PISCINA (Ø50)



- i** Para efetuar a ligação da tubagem, una a tubagem às junções, fornecidas conjuntamente com a bomba; as uniões das junções às bocas de aspiração e impulsão da bomba são de rosca e contam com juntas de vedação para evitar a perda de água.
- i** Realize a instalação dos tubos de impulsão completamente perpendicular e bem centrada relativamente à boca a ligar, com o fim de evitar que a bomba e o tubo estejam submetidos a esforços externos que, para além de dificultarem a montagem, poderiam chegar a parti-los.
- i** Instale a tubagem de aspiração com uma ligeira inclinação até à bomba de 2% para evitar a formação de bolsas de ar.
- i** Para o correto funcionamento da bomba, proceda à ferragem do pré-filtro da bomba até a água aparecer na conduta de aspiração.
- i** Por razões de transporte, a caixa de filtração vem com a saída de água da bomba desmontada. É imprescindível uni-la antes de proceder à sua ligação exterior.

## 2.4. ELÉTRICA

Fure a caixa do lado em que tem previsto introduzir a alimentação elétrica, com um diâmetro adequado ao cabo que for instalar. Recomenda-se utilizar cabo H07-RNF. Determine a secção do cabo em função da potência consumida e da queda de tensão. Instale a entrada com uns buçins adequados à secção do cabo. Recomenda-se proteger o cabo, em todo o seu trajeto, com um tubo apropriado.



Este equipamento **NÃO PODE SER LIGADO A UMA SIMPLES TOMADA ELÉTRICA**.



Este equipamento **REQUER UMA INSTALAÇÃO ELÉTRICA** adequada. Esta deve ser efetuada por uma pessoa especializada seguindo as normas elétricas de segurança em vigor em cada país.



O equipamento deve ser ligado a uma tomada de tensão de 230 V de corrente alternada e 50 Hz.



A alimentação elétrica da caixa deve estar **SEMPRE PROTEGIDA POR UM DIFERENCIAL DE 30 mA e INCLUIR UM INTERRUPTOR MAGNETOTÉRMICO**.



É imprescindível **REALIZAR UMA LIGAÇÃO DE TERRA**.



É imprescindível utilizar um dispositivo de desconexão múltipla com uma separação mínima de 3 mm entre contactos para desligar o filtro da alimentação elétrica.



Utilize um **CABO DE SECÇÃO** apropriada à potência da caixa e à distância do quadro.



A instalação deve ser conforme à **NORMA VDE 0100, Parte 702**. Adicionalmente, deverá cumprir a legislação local e/ou nacional aplicável em vigor.

Para efetuar a instalação elétrica é necessário determinar a existência de quadro elétrico. Se houver quadro elétrico, proceda segundo o ponto 2.4.1 Com quadro elétrico no interior da caixa. Se não houver quadro elétrico, proceda segundo o ponto 2.4.2 Sem quadro elétrico.



Durante a ligação dos cabos elétricos ao equipamento, tenha cuidado com a disposição no interior da caixa de ligações, assegure-se de que não ficam pedaços de cabo no interior após o fecho e que o condutor de terra está ligado corretamente.



Deverá prestar especial atenção para que, de maneira nenhuma, entre água no motor e nas partes elétricas com tensão.



Caso a utilização prevista não seja a mencionada, poderão ser necessárias adaptações e normas elétricas suplementares.



Recomenda-se não furar a caixa de filtração, já que a água contida no terreno pode entrar por qualquer orifício que fique enterrado.

## 2.4.1. COM QUADRO ELÉTRICO NO INTERIOR DA CAIXA

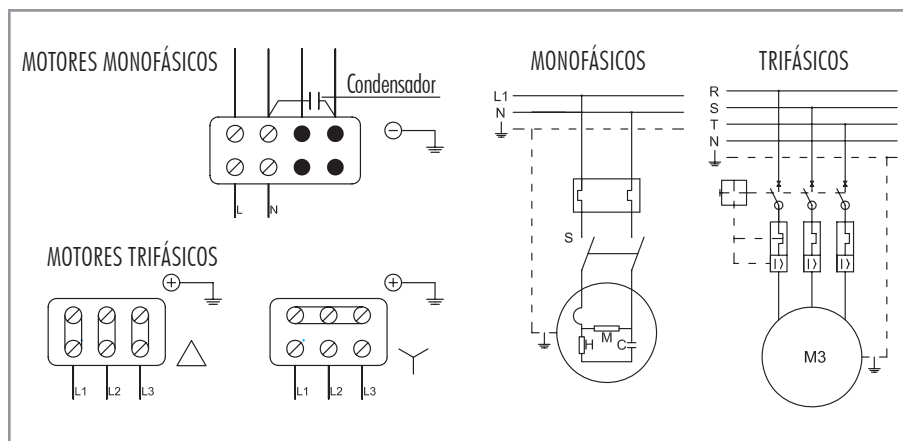
Por questões de segurança, coloque terminais na extremidades dos cabos a ligar, adequados à secção dos mesmos.

### TEMPORIZADOR, pormenor armário elétrico TRAFÓ/NÃO TRAFÓ

**ATENÇÃO!** CONECTAR CABO DE TERRA DE ENTRADA COM CABO DE TERRA DE BOMBA

## 2.4.2. SEM QUADRO ELÉTRICO

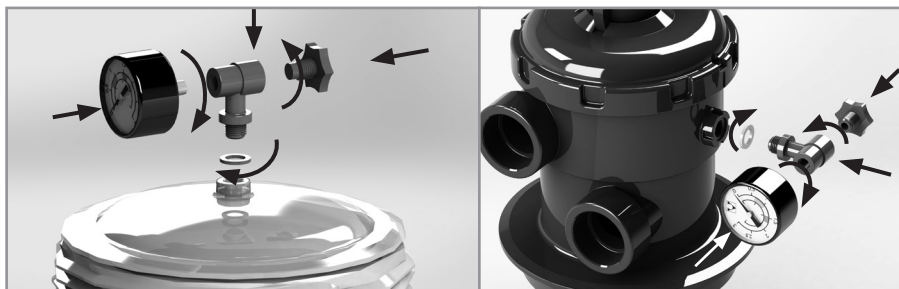
O diagrama seguinte faz referência ao terminal (caixa de ligações) da bomba, que pode ser MONOFÁSICO ou TRIFÁSICO.



Este equipamento REQUER UMA INSTALAÇÃO ELÉTRICA adequada. Esta deve ser efetuada por uma pessoa especializada seguindo as normas elétricas de segurança em vigor em cada país.

### 3. COLOCAÇÃO EM FUNCIONAMENTO

1. Retire a(s) tampa(s) da caixa para iniciar a colocação em funcionamento. Desparafuse os 6 parafusos que unem a tampa à dobradiça antes de a levantar.
2. Abra o filtro e encha de água até meio. Proteja o difusor no interior do filtro para que não possa entrar areia no mesmo.
3. Encha o filtro com areia sílex 0,4-0,8 de granulometria com a quantidade indicada na etiqueta de características ou então até 2/3 partes da altura total do filtro.
4. Monte o "T" do manómetro, a junta, o manómetro e a tampa de purga de ar. Não é necessário usar fita de teflon, já que a estanquidade neste ponto é feita através da junta. Não aperte o "T" do manómetro com nenhuma ferramenta, com a mão é suficiente.



**Montagem manómetro (com válvula lateral)**

**Montagem manómetro (com válvula topo)**

5. Limpe a boca e a tampa dos restos de sílex, assim como o alojamento da junta, e feche o filtro. Para mais informações, consulte o manual do filtro.
6. Se a caixa estiver acima do nível da água da piscina, a bomba terá de ser ferrada, abrindo o pré-filtro e deitando-lhe água até ficar cheio.
7. Se a caixa estiver abaixo do nível da água, bastará abrir as válvulas de ida e retorno, e abrir a purga de ar até que o filtro e a bomba estejam cheios de água.
8. Coloque as válvulas na seguinte posição:
  - SKIMMER: ABERTA
  - ESCOADOURO: ABERTA
  - LIMPA-FUNDOS: ABERTA
  - RETORNO: ABERTA
  - VÁLVULA SELETORA: LAVAGEM
9. Ponha a bomba a funcionar e realize uma lavagem do filtro. Efetue a operação de lavagem até que no visor da válvula seletora se veja água limpa e clara.
10. Desligue a bomba. Coloque a válvula seletora na posição de enxaguamento e acione a bomba durante 15 segundos. Pare novamente a bomba e coloque a válvula seletora na posição de filtração.

11. Ligue a bomba.

12. Coloque novamente as tampas da caixa, fixando a parte posterior com os respetivos parafusos.



Qualquer operação com a válvula seletora deve ser realizada com a bomba parada. Caso contrário, poder-se-ia danificar o filtro e a instalação.



Recomenda-se colocar um fecho ou um cadeado para que não possam aceder ao interior da caixa crianças ou pessoas não autorizadas.



Antes da colocação em funcionamento do equipamento, certifique-se de que a calibragem dos dispositivos de proteção elétrica do motor e as proteções contra contactos elétricos e mecânicos são corretas e estão devidamente posicionadas e fixadas.



Não coloque a bomba em funcionamento sem água na piscina.

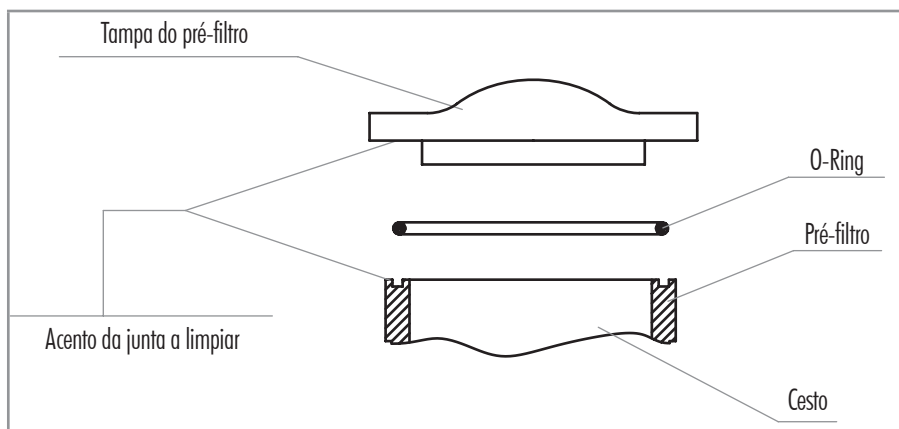


Não inicie a operação de filtração se o nível de água não chegar a cobrir parte da tampa basculante do skimmer.

### 3.1. BOMBA

Antes de pôr a bomba a funcionar, leve a cabo as seguintes operações:

Desmonte a tampa do pré-filtro.



Encha a bomba de água pelo pré-filtro até que a água saia pela conduta de aspiração.

Coloque novamente o cesto do interior do pré-filtro, caso tivesse sido extraído previamente durante as operações descritas, com o fim de evitar a entrada de partículas no interior da bomba, que poderiam chegar a bloquear a mesma.

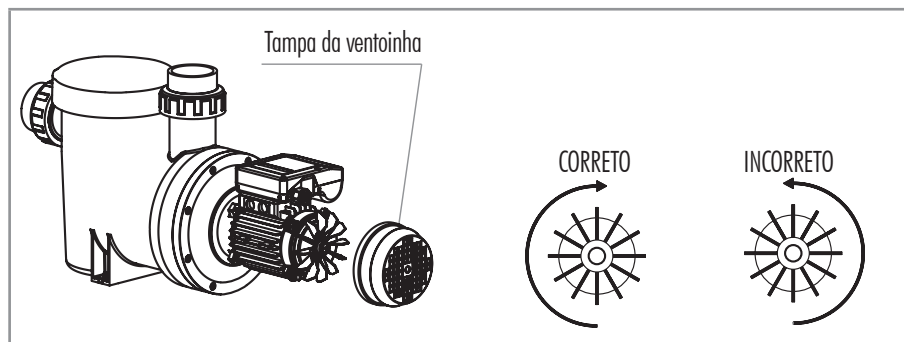
Assegure-se de que a tensão e a frequência da rede correspondem às especificações indicadas na placa de características da bomba.



Coloque a tampa do pré-filtro e feche, não esquecendo colocar a junta no respetivo alojamento.

As bombas não podem trabalhar em caso algum sem se ter enchido previamente o pré-filtro de água, já que, caso contrário, tal poderia danificar a junta mecânica, provocando uma perda de água pela mesma.

Verifique se o sentido de rotação do motor é o correto, utilizando a ventoinha situada na parte traseira do motor, e observando-a através do visor da tampa da ventoinha.



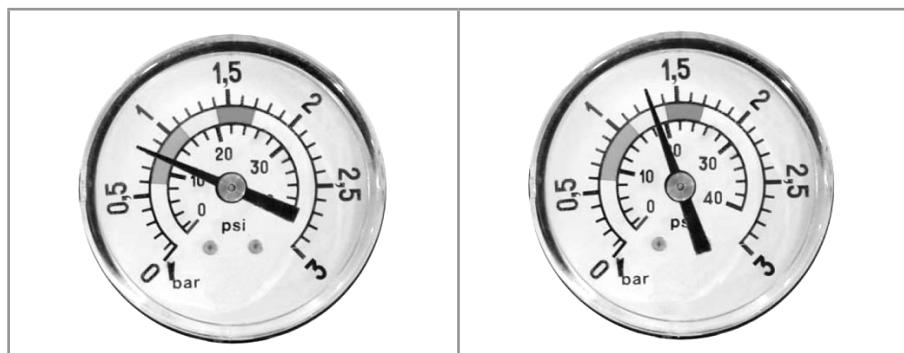
Abra todas as válvulas e ligue o motor.

Efetue a autoferragem da tubagem e espere que esta se efetue num período de tempo razoável.

## 4. FUNCIONAMENTO

### 4.1. FILTRAÇÃO

Com a bomba parada, coloque a manete da válvula seletora em "FILTRAÇÃO". Ponha a bomba a funcionar. Durante o funcionamento, é conveniente observar periodicamente o manómetro, que indica o grau de saturação do filtro.



**0,8 kg/cm<sup>2</sup> – 11,4 PSI:**

Pressão normal ao iniciar um ciclo de filtração

**1,3 kg/cm<sup>2</sup> – 18,5 PSI:**

Esta pressão indica que é necessário proceder à LAVAGEM

## 4.2. LAVAGEM

As partículas sólidas contidas na piscinas, e que são recolhidas pelo escoadouro e pelos skimmers, ficam retidas na areia do filtro, pelo que, conseqüentemente, a passagem da água vai diminuindo constantemente. É por essa razão que a pressão aumenta progressivamente. Quando a pressão alcançar  $1,3 \text{ kg/cm}^2$ , realizar-se-á uma "LAVAGEM".

### Deve-se proceder da seguinte forma:

A válvula seletora é colocada na posição "LAVAGEM" e põe-se a bomba a funcionar. Efetue esta operação durante 2 minutos. No entanto, observe o visor da válvula seletora para verificar se esse tempo é adequado, já que irá depender da sujidade acumulada no filtro.

## 4.3. ENXAGUAMENTO

Depois de realizar uma "LAVAGEM" do filtro, e antes de pôr o sistema em filtração, convém realizar um "ENXAGUAMENTO", para evitar que a primeira quantidade de água ainda turva vá diretamente para a piscina. Para isso, com a bomba parada, coloque a válvula seletora na posição de "ENXAGUAMENTO". Ponha a bomba a funcionar para levar a cabo esta operação durante, aproximadamente, um minuto. No entanto, observe o visor da válvula seletora para verificar se esse tempo é adequado, já que irá depender da sujidade acumulada no filtro.

## 4.4. RECIRCULAÇÃO

Quando se coloca a válvula seletora nesta posição, a água procedente da bomba circula diretamente para a piscina, sem passar pelo interior do filtro.

## 4.5. Esvaziamento

Se a piscina não contar com um ralo no fundo da mesma, pode-se esvaziar mediante a bomba do filtro, colocando a válvula na posição de "ESVAZIAMENTO". Para realizar esta operação, abra as válvulas do escoadouro e feche as dos skimmers e do limpa-fundos.

## 4.6. FECHADO

Esta posição fecha a entrada de água para o filtro.

# 5. MANUTENÇÃO

## 5.1. FILTRO

Não utilize diluentes para limpar o filtro, já que poderiam eliminar o brilho do mesmo e provocar danos. Substitua as peças e as juntas deterioradas quando for necessário.

Realize as lavagens e enxaguamentos requeridos em conformidade com as instruções de funcionamento.

Limpe a areia anualmente com ASTRAL Filnet sólido ou Filnet líquido para um funcionamento ótimo. Recomenda-se mudar a areia a cada 3 anos, aproximadamente.

### Hibernação:

Para não danificar o filtro durante o período da hibernação, é necessário efetuar as seguintes operações:

- Realize as lavagens e enxaguamentos segundo as instruções anteriores.
- Esvazie o filtro de água.
- Retire a tampa do filtro para o manter arejado durante o período de inatividade.
- Quando for necessário voltar a pôr o filtro a funcionar, siga as instruções de COLOCAÇÃO EM FUNCIONAMENTO.

## 5.2. BOMBA

Limpe o filtro do pré-filtro regularmente para evitar descidas de pressão. Não bata no cesto durante o processo de limpeza para evitar uma possível rotura do mesmo.

Se a bomba parar, verifique se o consumo do motor em amperes durante o funcionamento é igual ou inferior ao indicado na placa de características do fabricante ou, na sua ausência, dirija-se ao Serviço de Assistência Técnica mais próximo.

Esvazie a bomba nos casos em que esta tenha de permanecer algum tempo sem funcionar, principalmente em países frios, onde possa existir o perigo de congelação.

Para efetuar o esvaziamento da bomba, retire a tampa de purga 10.

Sempre que abrir o pré-filtro, limpe de impurezas o alojamento da junta e a própria junta, para garantir a estanquidade no fecho da tampa.

Os componentes da bomba que devido ao seu uso habitual sofram desgaste e/ou deterioramento devem ser substituídos periodicamente para conservar o bom rendimento da bomba. Na tabela que se segue indicam-se os componentes fungíveis e/ou consumíveis da bomba e o período de vida estimado para os mesmos.

DESCRIÇÃO COMPONENTE	PERÍODO DE VIDA ESTIMADO
Anéis de vedação e elementos de vedação em geral	1 ano
Fecho mecânico	1 ano
Rolamentos	1 ano

O período de vida estimado das peças anteriores foi estabelecido tendo em conta condições normais de utilização e instalação do produto.

Siga as instruções do manual de instalação para conservar o período de vida da bomba.

### 5.3. OUTROS COMPONENTES



Para os restantes componentes da caixa, será necessário verificar e proceder conforme o especificado no manual do utilizador e de manutenção de cada elemento da caixa, para poder assegurar um funcionamento ótimo e seguro de todo o conjunto.



Evite totalmente o contacto, inclusive acidental, com as peças do equipamento que se encontrem em movimento.



Espere até o equipamento estar completamente parado para efetuar qualquer tipo de intervenção no mesmo.



Antes de proceder a qualquer intervenção de manutenção elétrica ou mecânica, assegure-se de que a máquina foi desligada da rede elétrica e que os dispositivos de colocação em funcionamento se encontram bloqueados.



Assegure-se de que o pavimento está seco antes de tocar no equipamento elétrico.



Não manipule o equipamento com os pé molhados.

## 6. TABELA DE AVARIAS

PROBLEMAS	CAUSAS	SOLUÇÕES
O equipamento não filtra, mas a água circula.	O filtro trabalha sem o cartucho.	Verifique se o filtro tem o cartucho corretamente instalado.
O equipamento não impulsiona água.	Falta de alimentação elétrica.	Verifique a ligação elétrica e se chega corrente à tomada.
	Protetor do motor mal regulado.	Verifique o consumo da bomba e ajuste o protetor do motor do quadro elétrico.
O equipamento impulsiona pouca água.	O filtro está saturado	Execute uma operação de lavagem de filtro.
	Pré-filtro da bomba ou do skimmer obturado.	Limpe o pré-filtro da bomba ou o cesto do skimmer.
	Entrada de ar pela tubagem de aspiração.	Verifique o estado das peças de ligação e das juntas do tubo de aspiração.
	Nível insuficiente da água da piscina.	Encha a piscina até que o nível da água cubra metade da comporta basculante do skimmer.
	Tensão incorrecta.	Verifique se a tensão da rede coincide com a indicada na placa de características do motor.
	Perdas de carga na aspiração.	Verifique se a instalação não tem elementos que produzem perdas de carga anormais.
A bomba não pode ser ferrada.	Entrada de ar.	Verifique todas as uniões das tubagens. Encha o pré-filtro da bomba de água.
A câmara enche-se de água.	O tubo de descarga da caixa não foi instalado.	Instale um tubo de descarga para a evacuação da água da caixa.





Το εγχειρίδιο αυτό περιέχει βασικές πληροφορίες σχετικά με τα μέτρα ασφαλείας που εφαρμόζονται για την εγκατάσταση, τη συντήρηση και τη θέση σε λειτουργία. Για τον λόγο αυτό, ο τεχνικός εγκατάστασης και ο χρήστης πρέπει να διαβάσουν τις οδηγίες πριν ξεκινήσουν οποιαδήποτε εργασία εγκατάστασης ή λειτουργίας.

Μπορείτε να κατεβάσετε το εγχειρίδιο σε pdf στην ιστοσελίδα: [www.astralpool.com](http://www.astralpool.com)

## 1. ΓΕΝΙΚΗ ΑΣΦΑΛΕΙΑ

Τα σύμβολα που χρησιμοποιούνται σε αυτό το εγχειρίδιο είναι τα εξής:



**ΚΙΝΔΥΝΟΣ:** Επισημαίνει επικίνδυνη κατάσταση που αν δεν αποφευχθεί μπορεί να επιφέρει σοβαρό τραυματισμό ή θάνατο.



**ΠΡΟΕΙΔΟΠΟΙΗΣΗ:** Επισημαίνει επικίνδυνη κατάσταση που αν δεν αποφευχθεί θα μπορούσε να επιφέρει σοβαρό τραυματισμό ή θάνατο.



**ΠΡΟΣΟΧΗ:** Επισημαίνει επικίνδυνη κατάσταση που μπορεί να επιφέρει ήπιους ή μέτριους τραυματισμούς.



**ΕΝΗΜΕΡΩΣΗ:** Αναφέρεται σε θέματα που δεν σχετίζονται με ατομικούς τραυματισμούς.

## ΝΙΚΕΣ ΣΥΣΤΑΣΕΙΣ ΑΣΦΑΛΕΙΑΣ:



### ΚΙΝΔΥΝΟΣ

- Τα άτομα που είναι υπεύθυνα για τη συναρμολόγηση θα πρέπει να έχουν τα απαιτούμενα προσόντα γι' αυτό το είδος εργασίας.
- Αποφύγετε την επαφή με την ηλεκτρική τάση.
- Πρέπει να τηρούνται οι ισχύοντες κανονισμοί περί πρόληψης ατυχημάτων.
- Γι' αυτό θα πρέπει να τηρούνται οι κανονισμοί IEC 364-7-702: ΕΓΚΑΤΑΣΤΑΣΕΙΣ
- Η εγκατάσταση θα πρέπει να τηρεί τους κείμενους τοπικούς ή/και εθνικούς κανονισμούς.
- Οποιαδήποτε εργασία συντήρησης ή αντικατάστασης ανταλλακτικών θα πρέπει να γίνεται με τον ΕΞΟΠΛΙΣΜΟ αποσυνδεδεμένο από το ρεύμα.
- Μην το χειρίζεστε με βρεγμένα πόδια.
- Αυτός ο εξοπλισμός ΔΕΝ ΜΠΟΡΕΙ ΝΑ ΣΥΝΔΕΘΕΙ ΣΕ ΑΠΛΗ ΠΡΙΖΑ.
- Αυτός ο εξοπλισμός ΑΠΑΙΤΕΙ ΤΗΝ κατάλληλη ΗΛΕΚΤΡΙΚΗ ΕΓΚΑΤΑΣΤΑΣΗ και αυτό θα πρέπει να το αναλαμβάνει εξειδικευμένο άτομο ακολουθώντας τους κανονισμούς ηλεκτρικής ασφάλειας που ισχύουν σε κάθε χώρα.
- Η ηλεκτρική σύνδεση του θαλάμου θα πρέπει ΝΑ ΠΡΟΣΤΑΤΕΥΕΤΑΙ ΠΑΝΤΟΤΕ ΜΕ ΔΙΑΦΟΡΙΚΟ 30 mA και ΜΑΓΝΗΤΟΘΕΡΜΙΚΟ ΔΙΑΚΟΠΤΗ.
- Είναι απαραίτητη η ΓΕΙΩΣΗ.
- Χρησιμοποιήστε ΚΑΛΩΔΙΟ με ΔΙΑΤΟΜΗ κατάλληλη για την τάση του θαλάμου και την απόσταση από τον ηλεκτρικό πίνακα.
- Τοποθετήστε κλειδαριά ή λουκέτο έτσι ώστε να μην μπορούν να έχουν πρόσβαση στο εσωτερικό του θαλάμου παιδιά ή μη εξουσιοδοτημένα άτομα.
- Η ΑΛΛΑΓΗ ΘΕΣΗΣ ΤΗΣ ΒΑΛΒΙΔΑΣ ΕΠΙΛΟΓΗΣ ΠΡΕΠΕΙ ΝΑ ΓΙΝΕΤΑΙ ΠΑΝΤΟΤΕ ΟΤΑΝ Η ΑΝΤΛΙΑ ΕΙΝΑΙ ΑΠΕΝΕΡΓΟΠΟΙΗΜΕΝΗ.
- Μην ανοίγετε το κάλυμμα του θαλάμου εάν φυσά δυνατός άνεμος ή υπάρχουν ρεύματα αέρα.
- Ο κατασκευαστής δεν είναι σε καμία περίπτωση υπεύθυνος για τη συναρμολόγηση, την εγκατάσταση, τη θέση σε λειτουργία, τον χειρισμό ή την ενσωμάτωση ηλεκτρικών εξαρτημάτων που δεν έχουν πραγματοποιηθεί στις εγκαταστάσεις του.

## 2. ΕΓΚΑΤΑΣΤΑΣΗ

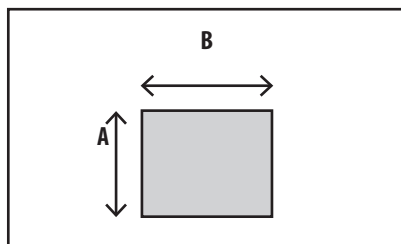
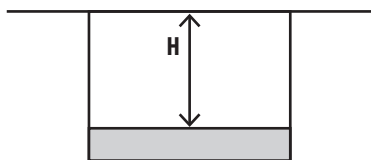
### 2.1. ΤΟΠΟΣ

Συνιστάται η εγκατάσταση του εξοπλισμού μακριά από την πισίνα, σε ελάχιστη απόσταση 3,5 m από το χείλος της πισίνας και πάντοτε σύμφωνα με τους ισχύοντες κανονισμούς.

### 2.2. ΔΙΑΔΙΚΑΣΙΑ

Εκτέλεση εκσκαφής για την εγκατάσταση του προστατευτικού θαλάμου καθώς και των απαιτούμενων υδραυλικών και ηλεκτρικών αγωγών. (Εφαρμόζεται μόνο στα μοντέλα RAMSES, KEOPS και KEFREN).

- Ισοπεδώστε και συμπιέστε τη βάση.
- Τοποθετήστε τον θάλαμο.
- Εγκαταστήστε τους υδραυλικούς σωλήνες, συμπεριλαμβανομένης της αποχέτευσης και της ηλεκτρικής εγκατάστασης, η οποία θα προστατεύεται με αυλακωτούς σωλήνες.
- Για υπόγειους θαλάμους, τοποθετήστε μία βάση από σκυρόδεμα που θα καλύπτει περίπου τα στηρίγματα (15-20cm).
- Παραγείμστε τον υπολειπόμενο χώρο της εκσκαφής με χαλίκι για την αποστράγγιση και συμπιέστε το χώμα. Σχηματίστε μια ελαφρώς κεκλιμένη ράμπα επάνω, για την αποφυγή πλημμυρών.

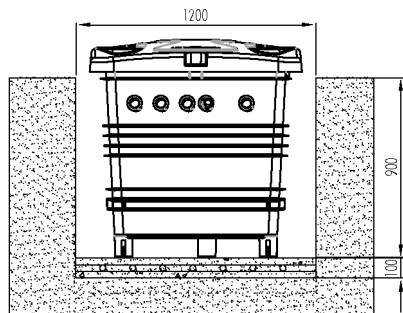


	A	B	H
<b>KEOPS</b>	113 cm	120 cm	95 cm
<b>KEFREN</b>	115 cm	115 cm	60 cm
<b>RAMSES</b>	109 cm	107 cm	90 cm
<b>RAMSES UP</b>	120 cm	146 cm	-

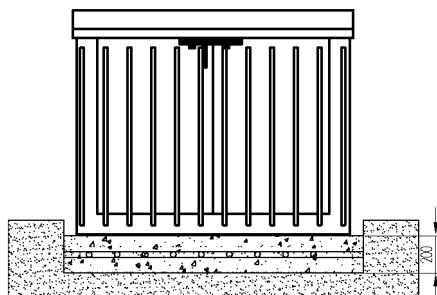


## ΕΚΣΚΑΦΗ

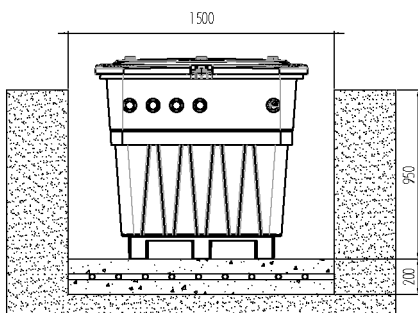
## RAMSES



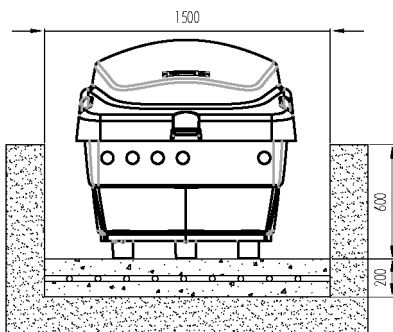
## RAMSES UP



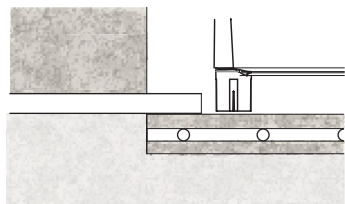
## KEOPS



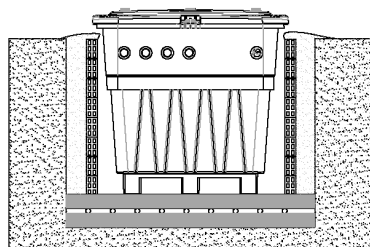
## KEFRÉN



Σκάψτε υπόγειες αυλακώσεις σε στρώμα άμμου, με αποστράγγιση στη γενική αποχέτευση



Για υπόγειους θαλάμους, δημιουργήστε τοίχο αντιστήριξης με παραγέμισμα χαλκιού για αποστράγγιση και δημιουργήστε μια ελαφρώς κεκλιμένη ράμπα στο άνω μέρος, για την αποφυγή πλημμυρών.



Για την εγκατάσταση θαλάμων KEOPS σε μαλακό έδαφος, απαιτείται εσωτερική ενίσχυση Αναφ.31105R1000

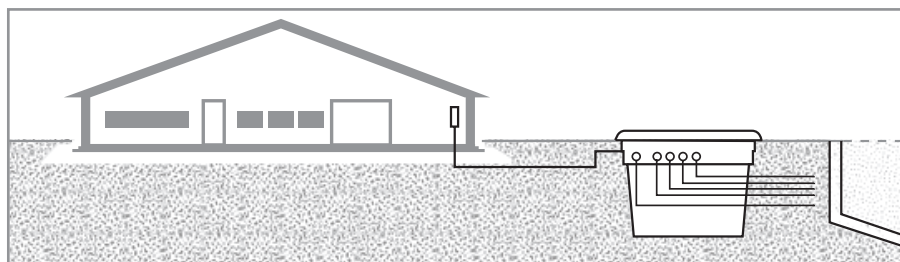


Συμπιέστε το χώμα πριν την τοποθέτηση του θαλάμου και εφαρμόστε σκυρόδεμα στο κάτω μέρος για τη βελτίωση της σταθερότητας του θαλάμου.

## 2.3. ΣΩΛΗΝΕΣ ΚΑΙ ΒΑΛΒΙΔΕΣ

RAMSES		RAMSES UP		ΚΕΟΡS		ΚΕΦΡΈΝ									
A	B	C	D	A	B	C	D	A	B	C	D	A	B	C	D
180 mm	180 mm	130 mm	280 mm	132 mm	132 mm	295 mm	205 mm	132 mm	132 mm	282 mm	164 mm	132 mm	132 mm	132 mm	428 mm

ΕΙΣΟΔΟΣ				ΈΞΟΔΟΣ	
1. ΣΚΙΜΕΡ (Ø50)	2. ΑΠΟΡΡΟΗ (Ø50)	3. ΑΚΡΟΦΥΣΙΟ ΑΝΑΡΡΟΦΗΣΗΣ (Ø50)	4. ΑΠΟΧΕΤΥΣΗ (Ø50)	5. ΕΠΑΝΑΦΟΡΑ ΣΤΗΝ ΠΙΣΙΝΑ (Ø50)	



- i** Για τη σύνδεση του σωλήνα, προσαρμόστε τον σωλήνα στο περικόχλιο που έχετε παραλάβει μαζί με την αντλία. Τα περικόχλια βιδώνονται στα ακροφύσια αναρρόφησης και εξώθησης νερού της αντλίας και διαθέτουν φλάντζες στεγανότητας για την αποφυγή απώλειας νερού.
- i** Πραγματοποιήστε την εγκατάσταση των σωλήνων εξόδου κάθετα και καλά κεντραρισμένα σε σχέση με το ακροφύσιο στο οποίο πρόκειται να συνδεθούν, έτσι ώστε η αντλία και ο σωλήνας να μην υφίστανται την πίεση εξωτερικών δυνάμεων που, εκτός του ότι ενδέχεται να δυσχεράνουν τη συναρμολόγηση, θα μπορούσαν να προκαλέσουν τη θραύση τους.
- i** Ο σωλήνας αναρρόφησης πρέπει να έχει ελαφρά κλίση 2% σε σχέση με την αντλία για την αποφυγή σχηματισμού θυλάκων αέρα.
- i** Για τη σωστή λειτουργία της αντλίας προχωρήστε στην πλήρωση του προφίλτρου της αντλίας έως ότου αρχίσει να βγαίνει το νερό από τον αγωγό αναρρόφησης.
- i** Για τη μεταφορά, ο θάλαμος φίλτρανης θα πρέπει να έχει αποσυνδεθεί από το σημείο αποχέτευσης της αντλίας. Είναι απαραίτητο δε να καθαριστεί πριν γίνει η εξωτερική σύνδεση.

## 2.4. ΗΛΕΚΤΡΙΚΗ ΕΓΚΑΤΑΣΤΑΣΗ

Διατρυπήστε τον θάλαμο από την πλευρά που έχει προβλεφθεί να συνδεθεί με την παροχή ρεύματος, σε διάμετρο ανάλογη του καλωδίου που θα εγκαταστήσετε. Συνιστάται η χρήση καλωδίου H07-RNF. Η διατομή του καλωδίου πρέπει να είναι ανάλογη με την ισχύ που καταναλώνεται και την πτώση τάσης. Στην προβλεπόμενη είσοδο, εγκαταστήστε το κατάλληλο στεγανωτικό παρέμβυσμα ανάλογα με τη διατομή του καλωδίου. Σας συνιστούμε να προστατεύσετε το καλώδιο, κατά μήκος της διαδρομής του, με τον κατάλληλο σωλήνα.



Αυτός ο εξοπλισμός ΔΕΝ ΜΠΟΡΕΙ ΝΑ ΣΥΝΔΕΘΕΙ ΣΕ ΑΠΛΗ ΠΡΙΖΑ.



Αυτός ο εξοπλισμός ΑΠΑΙΤΕΙ την κατάλληλη ΗΛΕΚΤΡΙΚΗ ΕΓΚΑΤΑΣΤΑΣΗ η οποία θα πρέπει να γίνεται από εξειδικευμένο άτομο και σύμφωνα με τους ισχύοντες κανονισμούς ηλεκτρικής ασφάλειας κάθε χώρας.



Ο εξοπλισμός πρέπει να συνδέεται σε παροχή εναλλασσόμενου ρεύματος με τάση 230 V και στα 50 Hz



Η ηλεκτρική παροχή του θαλάμου πρέπει να ΠΡΟΣΤΑΤΕΥΕΤΑΙ ΠΑΝΤΟΤΕ ΜΕ ΔΙΑΦΟΡΙΚΟ 30 mA ΚΑΙ ΝΑ ΔΙΑΘΕΤΕΙ ΜΑΓΝΗΤΟΘΕΡΜΙΚΟ ΔΙΑΚΟΠΤΗ.



Είναι απαραίτητη η ΓΕΙΩΣΗ.



Για την αποσύνδεση του φίλτρου από την παροχή ρεύματος είναι απαραίτητη η χρήση διάταξης πολλαπλής αποσύνδεσης με ελάχιστη απόσταση 3 mm μεταξύ των επαφών.



Χρησιμοποιήστε ΚΑΛΩΔΙΟ με ΔΙΑΤΟΜΗ ανάλογη με την τάση του θαλάμου και την απόσταση από τον ηλεκτρικό πίνακα.



Η εγκατάσταση θα πρέπει να συμμορφώνεται με το ΠΡΟΤΥΠΟ VDE 0100, Μέρος 702. Επιπλέον, θα πρέπει να συμμορφώνεται με τους ισχύοντες τοπικούς ή/και εθνικούς κανονισμούς.

Για την πραγματοποίηση της ηλεκτρικής εγκατάστασης θα πρέπει απαραίτητως να προβλέπεται και η εγκατάσταση ηλεκτρικού πίνακα. Εάν αυτός υφίσταται, προχωρήστε στο σημείο 2.4.1 *Με ηλεκτρικό πίνακα στο εσωτερικό του θαλάμου.* Σε αντίθετη περίπτωση, προχωρήστε στο σημείο 2.4.2 *Χωρίς ηλεκτρικό πίνακα.*



Κατά τη σύνδεση των ηλεκτρικών καλωδίων του εξοπλισμού, ελέγξτε τη διάταξη στο εσωτερικό του κυτίου συνδέσεων και βεβαιωθείτε ότι δεν υπάρχουν υπολείμματα καλωδίου στο εσωτερικό μετά το κλείσιμο και ότι ο αγωγός γείωσης έχει συνδεθεί σωστά.



Προσέξτε να μην μπαινεί με κανέναν τρόπο νερό στον κινητήρα και τα ηλεκτρικά μέρη, όπου υπάρχει τάση.



Σε περίπτωση που δεν γίνεται η προαναφερθείσα χρήση, ενδέχεται να χρειαστεί να πραγματοποιηθούν άλλες προσαρμογές και να εφαρμοστούν συμπληρωματικοί κανονισμοί.

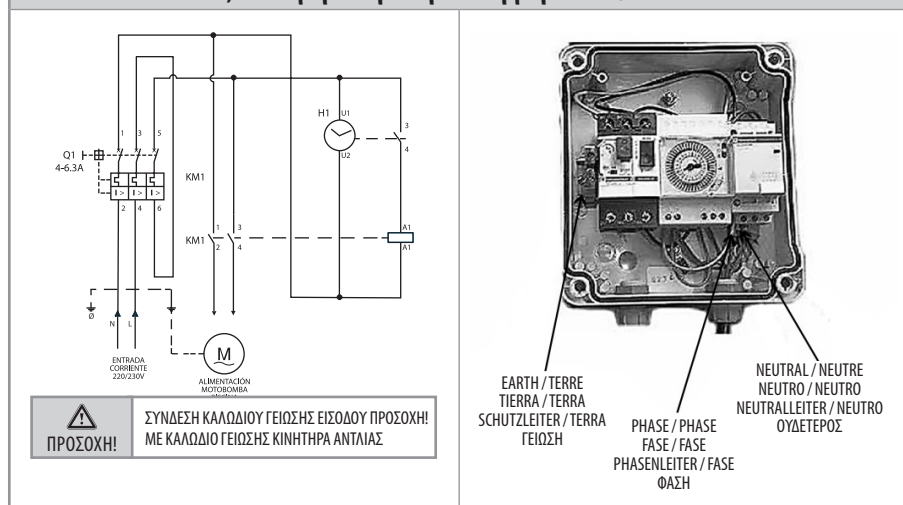


Συνιστάται να μην τρυπήσετε το κουτί φίλτρανης γιατί το νερό που υπάρχει στο έδαφος μπορεί να διεισδύσει σε οποιαδήποτε οπή η οποία είναι υπόγεια.

### 2.4.1 ΜΕ ΗΛΕΚΤΡΙΚΟ ΠΙΝΑΚΑ ΣΤΟ ΕΣΩΤΕΡΙΚΟ ΤΟΥ ΘΑΛΑΜΟΥ

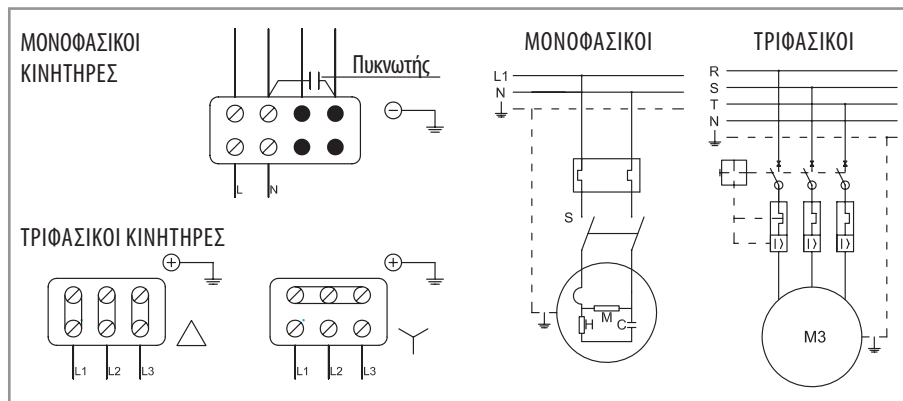
Για λόγους ασφαλείας, τοποθετήστε τους ακροδέκτες στα άκρα των προς σύνδεση καλωδίων, ανάλογα με τη διατομή τους.

#### ΧΡΟΝΟΔΙΑΚΟΠΤΗΣ, λεπτομέρεια ηλεκτρικού ερμαρίου ΜΕ/ΧΩΡΙΣ ΜΕΤΑΣΧΗΜΑΤΙΣΤΗ



### 2.4.2. ΧΩΡΙΣ ΗΛΕΚΤΡΙΚΟ ΠΙΝΑΚΑ

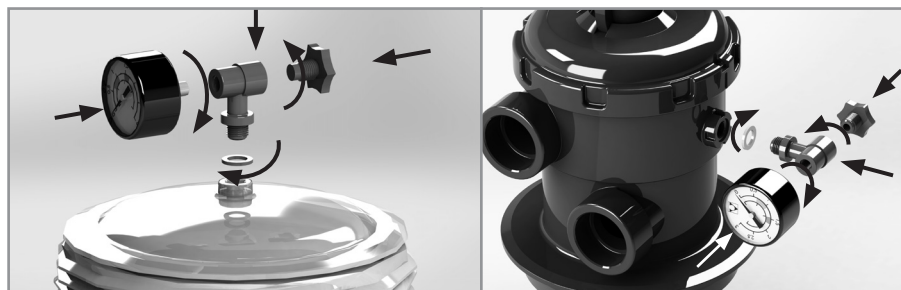
Το παρακάτω διάγραμμα αναφέρεται στο κουτί ακροδεκτών (συνδέσεων) της αντλίας, που μπορεί να είναι ΜΟΝΟΦΑΣΙΚΟ ή ΤΡΙΦΑΣΙΚΟ.



Αυτός ο εξοπλισμός ΑΠΑΙΤΕΙ την κατάλληλη ΗΛΕΚΤΡΙΚΗ ΕΓΚΑΤΑΣΤΑΣΗ η οποία θα πρέπει να γίνεται από εξειδικευμένο άτομο και σύμφωνα με τους ισχύοντες κανονισμούς ηλεκτρικής ασφαλείας κάθε χώρας.

### 3. ΘΕΣΗ ΣΕ ΛΕΙΤΟΥΡΓΙΑ

1. Αφαιρέστε το καπάκι/καπάκια για να θέσετε τον εξοπλισμό σε λειτουργία. Ξεβιδώστε τις 6 βίδες που ενώνουν το καπάκι με τον μεντεσέ, προτού το σηκώσετε.
2. Ανοίξτε το φίλτρο και γεμίστε το με νερό ως τη μέση. Προστατεύστε τον διαχύτη στο εσωτερικό του φίλτρου για να μην μπορεί να εισέλθει άμμος.
3. Γεμίστε το φίλτρο με πυριτική (χαλαζιακή) άμμο κοκκομετρίας 0,4-0,8 και στην ποσότητα που αναγράφεται στην ετικέτα χαρακτηριστικών ή έως τα 2/3 του συνολικού ύψους του φίλτρου.
4. Συναρμολογήστε το μανόμετρο, το παρέμβυσμα και το καπάκι εξαέρωσης. Δεν είναι απαραίτητη η χρήση ταινίας τεφλόν, αφού η στεγανοποίηση σε αυτό το σημείο επιτυγχάνεται με το παρέμβυσμα. Μην σφίγγετε το ταυ του μανόμετρου με εργαλείο, μπορείτε να το κάνετε με το χέρι.




Συναρμολόγηση μανόμετρου (με πλευρική βαλβίδα)


Συναρμολόγηση μανόμετρου (με βαλβίδα επάνω)

5. Καθαρίστε το στόμιο και το καπάκι από τα υπολείμματα πυριτίου, καθώς επίσης και το σημείο τοποθέτησης του παρεμβύσματος και κλείστε το φίλτρο. Για περαιτέρω πληροφορίες, συμβουλευθείτε το εγχειρίδιο του φίλτρου.
6. Εάν ο θάλαμος βρίσκεται πάνω από τη στάθμη του νερού της πισίνας, θα πρέπει να πληρωθεί η αντλία, ανοίγοντας το πρόφιλτρο και ρίχνοντας νερό μέχρις ότου γεμίσει.
7. Εάν ο θάλαμος βρίσκεται κάτω από τη στάθμη του νερού της πισίνας, αρκεί να ανοίξετε τις βαλβίδες εξόδου και επαναφοράς και να ανοίξετε την εξαέρωση μέχρις ότου το φίλτρο και η αντλία γεμίσουν με νερό.
8. Τοποθετήστε τις βαλβίδες στην εξής θέση:
  - ΣΚΙΜΕΡ: ΑΝΟΙΧΤΗ
  - ΑΠΟΡΡΟΗ: ΑΝΟΙΧΤΗ
  - ΔΙΑΤΑΞΗ ΚΑΘΑΡΙΣΜΟΥ ΠΥΘΜΕΝΑ: ΑΝΟΙΧΤΗ
  - ΕΠΑΝΑΦΟΡΑ: ΑΝΟΙΧΤΗ
  - ΑΛΒΙΔΑ ΕΠΙΛΟΓΗΣ: ΠΛΥΣΗ
9. Ενεργοποιήστε την αντλία και πλύνετε το φίλτρο. Εκτελέστε τη διαδικασία πλύσης έως ότου το νερό να φαίνεται καθαρό και διάφανο μέσα από την διαφάνεια της βαλβίδας επιλογής.
10. Αποσυνδέστε την αντλία. Τοποθετήστε τη βαλβίδα επιλογής στη θέση έκπλυσης και ενεργοποιήστε την αντλία για 15 δευτερόλεπτα. Σταματήστε ξανά την αντλία και τοποθετήστε τη βαλβίδα επιλογής στη θέση φίλτρασης.


11. Συνδέστε την αντλία.
12. Τοποθετήστε εκ νέου τα καπάκια του θαλάμου στερεώνοντας το πίσω μέρος με τις αντίστοιχες βίδες.

 Οποιοσδήποτε χειρισμός της βαλβίδας επιλογής πρέπει να γίνεται με την αντλία απενεργοποιημένη, διαφορετικά μπορεί να προκληθούν ζημιές στο φίλτρο και την εγκατάσταση.

 Τοποθετήστε κλειδαριά ή λουκέτο έτσι ώστε να μην μπορούν να έχουν πρόσβαση στο εσωτερικό του θαλάμου παιδιά ή μη εξουσιοδοτημένα άτομα.

 Πριν τη θέση του εξοπλισμού σε λειτουργία, ελέγξτε ότι η βαθμονόμηση των συσκευών ηλεκτρικής προστασίας του κινητήρα και τα προστατευτικά εξαρτήματα κατά ηλεκτρικών και μηχανικών κινδύνων είναι τοποθετημένα και στερεωμένα σωστά.

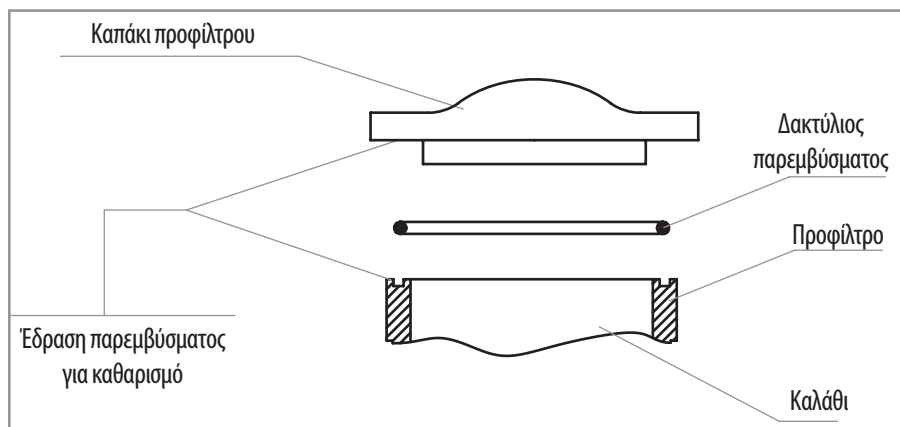
 Μην ενεργοποιείτε την αντλία εάν η πισίνα δεν έχει νερό.

 Μην αρχίσετε τη φιλτρανση εάν η στάθμη του νερού δεν καλύπτει μέρος του κεκλιμένου καλύμματος του σκίμερ.

### 3.1. ΑΝΤΛΙΑ

Πριν θέσετε σε λειτουργία την αντλία, εκτελέστε τις ακόλουθες ενέργειες:

Αποσυναρμολογήστε το καπάκι του προφίλτρου.



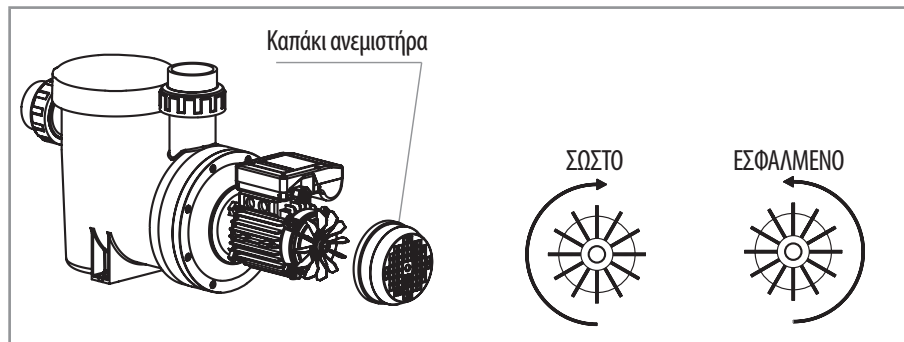
Γεμίστε την αντλία με νερό μέσω του προφίλτρου μέχρι να εμφανισθεί νερό στον αγωγό αναρρόφησης. Τοποθετήστε εκ νέου το καλαθάκι στο εσωτερικό του προφίλτρου εάν τυχόν με όλους αυτούς τους χειρισμούς έχει βγει, για να αποφύγετε την είσοδο μεγαλύτερων σωματιδίων στο εσωτερικό της αντλίας τα οποία ενδεχομένως την φράξουν.

Βεβαιωθείτε ότι η τάση και η συχνότητα του δικτύου αντιστοιχούν σε αυτές που αναγράφονται στην ετικέτα χαρακτηριστικών της αντλίας.

Τοποθετήστε το καπάκι του προφίλτρου και κλείστε το. Μην ξεχάσετε να τοποθετήσετε επίσης στη θέση του το παρέμβυσμα.

Οι αντλίες σε καμία περίπτωση δεν μπορούν να λειτουργούν χωρίς προηγουμένως να έχουμε γεμίσει με νερό το πρόφιλτρο, καθώς, σε αντίθετη περίπτωση, αυτό μπορεί να προκαλέσει ζημιά στο μηχανικό παρέμβυσμα και να προκαλέσει διαρροή νερού μέσω αυτού.

Βεβαιωθείτε ότι ο κινητήρας περιστρέφεται κανονικά, χρησιμοποιώντας τον ανεμιστήρα που βρίσκεται στην πίσω του πλευρά και παρατηρώντας τον μέσα από το «ματάκι» του καπακιού του ανεμιστήρα.



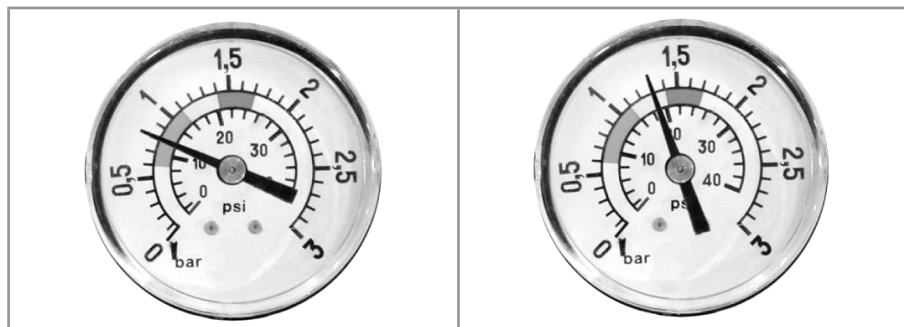
Ανοίξτε όλες τις βαλβίδες και συνδέστε τον κινητήρα.

Ενεργοποιήστε την αυτόματη πλήρωση του σωλήνα και περιμένετε να πραγματοποιηθεί σε εύλογο χρονικό διάστημα.

## 4. ΛΕΙΤΟΥΡΓΙΑ

### 4.1. ΦΙΛΤΡΑΝΣΗ

Με σταματημένη την αντλία, τοποθετήστε τον μοχλό της βαλβίδας επιλογής στη “ΦΙΛΤΡΑΝΣΗ”. Ενεργοποιήστε την αντλία. Κατά τη λειτουργία θα πρέπει να παρατηρείτε περιοδικά το μανόμετρο, το οποίο δείχνει τον βαθμό κορεσμού του φίλτρου.



**0,8 kg/cm<sup>2</sup> – 11,4 PSI:**

Κανονική πίεση στην εκκίνηση ενός κύκλου φιλτρανσης

**1,3 kg/cm<sup>2</sup> – 18,5 PSI:**

Αυτή η πίεση υποδεικνύει ότι είναι αναγκαίο να προχωρήσετε σε ΠΛΥΣΗ

## 4.2. ΠΛΥΣΗ

Τα στερεά σωματίδια που βρίσκονται στην πισίνα και συλλέγονται από τη λεκάνη απορροής και τα σκίμερ, κατακρατούνται στην άμμο του φίλτρου και συνεπώς μειώνεται σταδιακά η διέλευση του νερού. Γι' αυτόν τον λόγο αυξάνεται προοδευτικά η πίεση. Όταν η πίεση φτάσει τα 1,3 kg / cm<sup>2</sup>, θα πρέπει να γίνεται "ΠΛΥΣΗ".

### Κάνετε τα εξής:

Τοποθετήστε τη βαλβίδα επιλογής στη θέση "ΠΛΥΣΗ" και ενεργοποιήστε την αντλία επί 2 λεπτά. Ελέγξτε από το «ματάκι» της βαλβίδας επιλογής εάν αυτός ο χρόνος είναι επαρκής, δεδομένου ότι εξαρτάται από τις ακαθαρσίες που έχουν συσσωρευθεί στο φίλτρο.

## 4.3. ΕΚΠΛΥΣΗ

Μετά την "ΠΛΥΣΗ" του φίλτρου και προτού θέσετε το σύστημα στη θέση φίλτρανης, συνιστάται να κάνετε "ΕΚΠΛΥΣΗ", προκειμένου η πρώτη ποσότητα νερού, που είναι ακόμη θολό, να μην εισέλθει κατευθείαν στην πισίνα. Για να το επιτύχετε, με την αντλία σταματημένη, βάλτε τη βαλβίδα επιλογής στη θέση "ΕΚΠΛΥΣΗ". Ενεργοποιήστε την αντλία για περίπου ένα λεπτό. Ελέγξτε από το «ματάκι» της βαλβίδας επιλογής εάν αυτός ο χρόνος είναι επαρκής, δεδομένου ότι εξαρτάται από τις ακαθαρσίες που έχουν συσσωρευθεί στο φίλτρο.

## 4.4. ΕΠΑΝΑΚΥΚΛΟΦΟΡΙΑ ΤΟΥ ΝΕΡΟΥ

Όταν τοποθετήσουμε τη βαλβίδα επιλογής σε αυτή τη θέση, το νερό που προέρχεται από την αντλία θα κυκλοφορήσει κατευθείαν προς την πισίνα χωρίς να περάσει από το εσωτερικό του φίλτρου.

## 4.5. ΕΚΚΕΝΩΣΗ

Σε περίπτωση που η πισίνα δεν διαθέτει απορροή στον πυθμένα της, μπορεί να αδειάσει μέσω της αντλίας του φίλτρου, με την τοποθέτηση της βαλβίδας στη θέση "ΕΚΚΕΝΩΣΗ". Για την εκτέλεση αυτής της λειτουργίας, ανοίξτε τις βαλβίδες του σημείου απορροής και κλείστε τα σκίμερ και τη διάταξη καθαρισμού πυθμένα.

## 4.6. ΚΛΕΙΣΙΜΟ

Αυτή η θέση κλείνει την είσοδο νερού στο φίλτρο.



## 5. ΣΥΝΤΗΡΗΣΗ

### 5.1. ΦΙΛΤΡΟ

Για τον καθαρισμό του φίλτρου μην χρησιμοποιείται διαλύτες, γιατί μπορεί να εξασθενίσει η λάμψη του και να υποστεί ζημιά. Αν παραστεί ανάγκη, αντικαταστήστε τα φθαρμένα εξαρτήματα και παρεμβύσματα.

Κάνετε τις απαραίτητες πλύσεις και εκπλύσεις σύμφωνα με τις οδηγίες λειτουργίας.

- Για την καλύτερη λειτουργία του, καθαρίζετε την άμμο σε ετήσια βάση με στερεό ή υγρό ASTRAL Filnet. Σας συνιστούμε να αλλάζετε την άμμο περίπου κάθε 3 χρόνια.

#### Χειμερινή περίοδος:

- Για να αποφύγετε ζημιές στο φίλτρο κατά τη χειμερινή περίοδο, είναι απαραίτητο να εκτελέσετε τις εξής εργασίες:
- Πλύση και έκπλυση σύμφωνα με τις προηγούμενες οδηγίες.
- Εκκένωση του φίλτρου νερού.
- Αφαίρεση του καπακιού του φίλτρου έτσι ώστε να αερίζεται καθ' όλη την περίοδο που η πισίνα δεν χρησιμοποιείται.
- Επανενεργοποίηση του φίλτρου, εάν είναι απαραίτητο, σύμφωνα με τις οδηγίες ΘΕΣΗΣ ΣΕ ΛΕΙΤΟΥΡΓΙΑ.

### 5.2. ΑΝΤΛΙΑ

Καθαρίζετε τακτικά το καλάθι του προφίλτρου για να αποφύγετε πτώσεις πίεσης. Μην το χτυπάτε κατά τη διαδικασία καθαρισμού για να αποφύγετε πιθανή θραύση του.

Εάν η αντλία σταματήσει, βεβαιωθείτε ότι η κατανάλωση σε αμπέρ του κινητήρα εν λειτουργία είναι ίση ή κατώτερη της ενδεικνυόμενης στην ετικέτα χαρακτηριστικών του κατασκευαστή ή απευθυνθείτε στην πλησιέστερη Υπηρεσία Τεχνικής Βοήθειας.

Αδειάστε την αντλία στις περιπτώσεις που πρέπει να παραμείνει εκτός λειτουργίας για κάποιο χρονικό διάστημα, ειδικά σε χώρες με ψυχρό κλίμα, όπου υπάρχει κίνδυνος να παγώσει το νερό.

Για την εκκένωση της αντλίας, αφαιρέστε το καπάκι αποστράγγισης 10.

Κάθε φορά που ανοίγει το πρόφιλτρο, καθαρίστε το σημείο τοποθέτησης του παρεμβύσματος και το ίδιο το παρέμβυσμα από τις ακαθαρσίες που μαζεύει για να εξασφαλίσετε τη στεγανότητα στο κλείσιμο του καπακιού.


Λόγω της συχνής τους χρήσης, τα εξαρτήματα της αντλίας φθείρονται και θα πρέπει να αντικαθίστανται σε τακτά χρονικά διαστήματα προκειμένου να διατηρείται η καλή απόδοση της αντλίας. Ο επόμενος πίνακας δείχνει τα αναλώσιμα εξαρτήματα της αντλίας και την εκτιμώμενη διάρκεια ζωής τους.

ΠΕΡΙΓΡΑΦΗ ΕΞΑΡΤΗΜΑΤΟΣ	ΕΚΤΙΜΩΜΕΝΗ ΔΙΑΡΚΕΙΑ ΖΩΗΣ
Στεγανωτικοί δακτύλιοι και στοιχεία στεγανότητας, εν γένει	1 έτος
Μηχανικό κλείσιμο	1 έτος
Ρουλεμάν	1 έτος

Η εκτιμώμενη διάρκεια ζωής των προαναφερθέντων εξαρτημάτων έχει καθοριστεί σύμφωνα με τις κανονικές συνθήκες χρήσης και εγκατάστασης του προϊόντος.

Ακολουθήστε τις οδηγίες του εγχειριδίου εγκατάστασης για να διασφαλίσετε την εκτιμώμενη διάρκεια ζωής της αντλίας.

### 5.3. ΑΛΛΑ ΕΞΑΡΤΗΜΑΤΑ

 Σε ό,τι αφορά τα λοιπά εξαρτήματα του θαλάμου, θα πρέπει να βεβαιωθείτε και να ενεργήσετε σύμφωνα με τα όσα αναγράφονται στο εγχειρίδιο χρήσης και συντήρησης εκάστου στοιχείου του θαλάμου για να διασφαλίσετε τη βέλτιστη και ασφαλή λειτουργία ολόκληρου του σετ.



Αποφύγετε αυστηρά ακόμη και την τυχαία επαφή με τα μέρη του εξοπλισμού που βρίσκονται σε λειτουργία.



Περιμένετε έως ότου σταματήσει εντελώς η μηχανή πριν από οιαδήποτε παρέμβαση στον εξοπλισμό.



Πριν από οιαδήποτε ενέργεια ηλεκτρικής ή μηχανικής συντήρησης, βεβαιωθείτε ότι η μηχανή έχει αποσυνδεθεί από το ηλεκτρικό ρεύμα και ότι οι συσκευές θέσης σε εκκίνηση είναι μπλοκαρισμένες.



Προτού αγγίξετε τον ηλεκτρικό εξοπλισμό, βεβαιωθείτε ότι το δάπεδο είναι στεγνό.



Μην χειρίζεστε τον εξοπλισμό με βρεγμένα πόδια.

## 6. ΠΙΝΑΚΑΣ ΠΡΟΒΛΗΜΑΤΩΝ

ΠΡΟΒΛΗΜΑΤΑ	ΑΙΤΙΕΣ	ΛΥΣΕΙΣ
Ο εξοπλισμός δεν φιλτράρει αλλά το νερό ανακυκλοφορεί	Το φίλτρο λειτουργεί χωρίς άμμο	Βεβαιωθείτε ότι το φίλτρο έχει την κατάλληλη στάθμη άμμου
Ο εξοπλισμός δεν εκτοξεύει νερό	Έλλειψη ηλεκτρικής τροφοδοσίας	Ελέγξτε την ηλεκτρική σύνδεση και βεβαιωθείτε ότι φτάνει ρεύμα στην πρίζα
	Το προστατευτικό του κινητήρα δεν είναι σωστά ρυθμισμένο	Ελέγξτε την κατανάλωση της αντλίας και ρυθμίστε το προστατευτικό κινητήρα του ηλεκτρικού πίνακα
Ο εξοπλισμός εκτοξεύει λίγο νερό	Κορεσμένο φίλτρο	Πλύση φίλτρου
	Το πρόφιλτρο της αντλίας ή του σκίμερ έχει φράξει	Καθαρίστε το πρόφιλτρο της αντλίας ή το καλάθι του σκίμερ
	Είσοδος αέρα από τον σωλήνα αναρρόφησης	Ελέγξτε την κατάσταση των ρακόρ και των περικοχλίων του σωλήνα
	Ανεπαρκής στάθμη του νερού της πισίνας	Γεμίστε την πισίνα έως ότου η στάθμη του νερού να καλύπτει το μισό της κινητής θύρας του σκίμερ
	Λάθος τάση	Βεβαιωθείτε ότι η τάση του δικτύου συμπίπτει με την αναγραφόμενη στην ετικέτα χαρακτηριστικών του κινητήρα
	Απώλειες φορτίου στην αναρρόφηση	Βεβαιωθείτε ότι η εγκατάσταση δεν έχει στοιχεία που προκαλούν μη φυσιολογικές απώλειες φορτίου
Η αντλία δεν γεμίζει	Αεραγωγός	Ελέγξτε όλες τις συνδέσεις των σωλήνων. Γεμίστε το πρόφιλτρο της αντλίας νερού.
Ο θάλαμος πλημμυρίζει	Δεν έχει εγκατασταθεί η λεκάνη απορροής του θαλάμου.	Εγκαταστήστε λεκάνη απορροής για την εκκένωση του νερού του θαλάμου.



# WARRANTIES, TERMS AND CONDITIONS

## 1. OVERVIEW

- 1.1. The vendor warrants that the Product covered by this warranty is free of all defects at the time of delivery.
- 1.2. The Warranty Period for the Products is two (2) years to be counted from the time of its delivery to the purchaser.
- 1.3. Should the product show any defects and the purchaser notifies the vendor of such during the Warranty Period, the vendor must cover the cost of repairing or replacing the Product wherever considered most convenient, unless this were impossible or disproportionately burdensome.
- 1.4. If the Product cannot be repaired or replaced, the purchaser may request a proportional reduction in its price or, if the defect were a major one, that the sales agreement be terminated.
- 1.5. The parts that are replaced or repaired under this warranty shall not extend the term of the original Product warranty, although such parts shall be subject to a separate warranty.
- 1.6. In order for this warranty to become effective, the purchaser must provide proof of the date of the Product's purchase and delivery.
- 1.7. If over six months have elapsed since the Product was delivered to a purchaser who claims it has a defect, the purchaser must prove the origin and existence of the alleged defect.
- 1.8. This Warranty Certificate shall not limit or overturn mandatory national consumer protection laws.

## 2. SPECIAL CONDITIONS

- 2.1. For this warranty to be valid, the purchaser must strictly follow the Manufacturer's instructions included in the documentation that comes with the Product, provided such documentation applies to the Product range and model.
- 2.2. If there is a set schedule for the replacement, maintenance or cleaning of certain Product parts or components, the warranty shall only be valid if the schedule has been properly followed.

## 3. LIMITATIONS

- 3.1. This warranty only applies to the sales made to consumers, the term "consumer" being understood as the person who acquires the Product for purposes unrelated to his or her professional activities.
- 3.2. No warranty is extended on the Product's normal wear and tear. With regard to replaceable parts, components and/or materials, namely, consumables such as mechanical seals, bearings and watertight fittings, the instructions in the documentation that comes with the Product shall apply.
- 3.3. The scope of this warranty does not cover accessories to the Product not specifically included with it.
- 3.4. The warranty shall solely cover defects in materials and/or workmanship. The warranty does not cover cases in which the Product: (I) has been subject to mishandling; (II) has been installed, repaired, maintained or handled by an unauthorized person; or (III) has been repaired or maintained using non-original spare parts. The scope of this warranty does not cover damage caused by accidents or unsuitable use, such as use other than filtering pool water or other unintended uses.
- 3.5. Whenever a Product defect is the result of improper installation or start-up, this warranty shall only cover defects when the installation or start-up are included in the Product sale agreements and has been carried out by the vendor or under its supervision.

# GARANTIES ET CONDITIONS

## 1. ASPECTS GÉNÉRAUX

- 1.1. Conformément à ces dispositions, le vendeur assure que le produit Astral correspondant à cette garantie (ci-après « le Produit ») ne présente aucun défaut de conformité au moment de sa livraison.
- 1.2. Le Période de Garantie pour le produit est de deux (2) ans et elle sera calculée à partir de la date de livraison à l'acheteur.
- 1.3. En cas de un défaut de conformité du Produit et si l'acheteur le notifie au vendeur pendant le Période de Garantie, le vendeur devrait réparer ou remplacer le Produit, à ses propres frais sur le lieu de son choix, à moins que cela soit impossible ou disproportionné.
- 1.4. Lorsque le Produit ne pourra être ni réparé ni remplacé, l'acheteur pourra demander une réduction proportionnelle du prix ou, si le défaut de conformité est suffisamment important, la résiliation du contrat de vente.
- 1.5. Les pièces remplacées ou réparées en vertu de cette garantie ne prolongeront pas le délai de la garantie du produit original, celles-ci étant cependant couvertes par leur propre garantie.
- 1.6. Aux fins de l'efficacité de la présente garantie, l'acheteur devra justifier la date d'acquisition et de livraison du Produit.
- 1.7. Quand plus de six (6) mois se seront écoulés depuis la remise du produit à l'acheteur et que ce dernier évoquera un défaut de conformité de ce Produit, l'acheteur devra justifier l'origine et l'existence du défaut signalé.
- 1.8. Le présent Certificat de Garantie ne limite pas et ne préjuge pas des droits qui relèvent des consommateurs en vertu des réglementations nationales à caractère obligatoire.

## 2. CONDITIONS PARTICULIÈRES

- 2.1. En vue de l'efficacité de cette Garantie, l'acheteur devra suivre rigoureusement les indications du Fabricant figurant dans la documentation jointe au Produit, quand celle-ci sera applicable selon la gamme et le modèle du Produit.
- 2.2. Quand un calendrier est spécifié pour le remplacement, la maintenance ou le nettoyage de certaines pièces ou de certains composants du Produit, la Garantie sera valable uniquement lorsque ledit calendrier aura été suivi correctement.

## 3. LIMITATIONS

- 3.1. La présente Garantie ne sera applicable que pour les ventes réalisées à des consommateurs, considérant comme « consommateur » toute personne qui achète le Produit à des fins n'étant pas du domaine de son activité professionnelle.
- 3.2. Aucune garantie n'est accordée pour ce qui a trait à l'usure normale due à l'utilisation du Produit.  
En ce qui concerne les pièces, les composants et/ou matériels fongibles ou consommables comme des garnitures mécanique, roulements et des éléments d'étanchéité, il faudra respecter ce qui est stipulé dans la documentation qui est jointe au Produit.
- 3.3. Ne relèvent pas de la présente Garantie, les éléments accessoires au produit et qui n'y sont pas explicitement inclus.
- 3.4. Seront couverts par la Garantie, les défauts du Produit causés uniquement et exclusivement en raison de défaut des matériels ou de la main d'oeuvre.  
La Garantie ne couvre pas les cas où le produit : (I) a fait l'objet d'un traitement incorrect ; (II) a été installé, réparé, entretenu ou manipulé par une personne non autorisée ou (III) a été réparé ou entretenu avec des pièces qui ne sont pas d'origine. La présente Garantie ne couvre pas les dommages produits par une utilisation accidentelle ou inappropriée comme l'usage dans des applications différentes de la filtration de l'eau de piscines.
- 3.5. La garantie ne couvre pas les cas où le Produit aura fait l'objet d'une installation ou d'une mise en marche incorrectes, à moins que cette installation ou cette mise en marche apparaisse dans le contrat de vente du Produit et ait été réalisée par le vendeur ou sous sa responsabilité.

# GARANTIAS Y CONDICIONES

## 1. ASPECTOS GENERALES

- 1.1. De acuerdo con estas disposiciones, el vendedor garantiza que el Producto correspondiente a esta garantía no presenta ninguna falta de conformidad en el momento de su entrega.
- 1.2. El Período de Garantía para el producto es de dos (2) años y se calculará desde el momento de su entrega al comprador.
- 1.3. Si se produjera una falta de conformidad del Producto y el comprador lo notificase al vendedor durante el Período de Garantía, el vendedor deberá reparar o sustituir el Producto a su propio coste en el lugar donde considere oportuno, salvo que ello sea imposible o desproporcionado.
- 1.4. Cuando no se pueda reparar o sustituir el Producto, el comprador podrá solicitar una reducción proporcional del precio o, si la falta de conformidad es suficientemente importante, la resolución del contrato de venta.
- 1.5. Las partes sustituidas o reparadas en virtud de esta garantía no ampliarán el plazo de la garantía de Producto original, si bien dispondrán de su propia garantía.
- 1.6. Para la efectividad de la presente garantía, el comprador deberá acreditar la fecha de adquisición y entrega del Producto.
- 1.7. Cuando hayan transcurrido más de seis meses desde la entrega del Producto al comprador y éste alegue falta de conformidad de aquél, el comprador deberá acreditar el origen y la existencia del defecto alegado.
- 1.8. El presente Certificado de Garantía no limita o prejuzga los derechos que correspondan a los consumidores en virtud de normas nacionales de carácter imperativo.

## 2. CONDICIONES PARTICULARES

- 2.1. Para la eficacia de esta garantía, el comprador deberá seguir estrictamente las indicaciones del Fabricante incluidas en la documentación que acompaña al Producto, cuando ésta resulte aplicable según la gama y modelo del Producto.
- 2.2. Cuando se especifique un calendario para la sustitución, mantenimiento o limpieza de ciertas piezas o componentes del Producto, la garantía solo será válida cuando se haya seguido dicho calendario correctamente.

## 3. LIMITACIONES

- 3.1. La presente garantía únicamente será de aplicación en aquellas ventas realizadas a consumidores, entendiéndose por "consumidor", aquella persona que adquiere el Producto con fines que no entran en el ámbito de su actividad profesional.
- 3.2. No se otorga ninguna garantía respecto del normal desgaste por uso del producto. En relación con las piezas, componentes y/o materiales fungibles o consumibles como cierres mecánicos, rodamientos y elementos de estanqueidad se estará a lo dispuesto en la documentación que acompañe al Producto, en su caso.
- 3.3. Queda fuera del alcance de la presente garantía los elementos accesorios al producto no incluidos explícitamente con él.
- 3.4. Quedan cubiertos por la garantía aquellos fallos en el producto originados única y exclusivamente por defecto de materiales y/o mano de obra. La garantía no cubre aquellos casos en que el Producto: (I) haya sido objeto de un trato incorrecto; (II) haya sido instalado, reparado, mantenido o manipulado por persona no autorizada o (III) haya sido reparado o mantenido con piezas no originales. Queda fuera del alcance de la presente garantía los desperfectos originados por usos accidentales o inadecuados tal como el uso en aplicaciones diferentes de la filtración de agua en piscinas u otro uso no previsto.
- 3.5. Cuando la falta de conformidad del Producto sea consecuencia de una incorrecta instalación o puesta en marcha, la presente garantía sólo responderá cuando dicha instalación o puesta en marcha esté incluida en el contrato de compra-venta del Producto y haya sido realizada por el vendedor o bajo su responsabilidad.

# GARANZIA E CONDIZIONI

## 1. CONDIZIONI GENERALI

- 1.1. D'accordo con queste disposizioni, il venditore garantisce che il prodotto Astral ("il Prodotto") al momento della consegna è assolutamente conforme ai requisiti esposti.
- 1.2. Il Periodo di Garanzia previsto per il prodotto è di due (2) anni a partire dal momento della consegna all'acquirente.
- 1.3. Nel caso in cui si rilevi un difetto di conformità del Prodotto e l'acquirente lo comunichi al venditore nel Periodo di Garanzia, il venditore dovrà riparare o sostituire il Prodotto facendosi carico delle spese, nel luogo ritenuto opportuno, salvo il caso in cui sia impossibile o spropositato.
- 1.4. Nel caso in cui il Prodotto non possa essere riparato o sostituito, l'acquirente potrà chiedere una riduzione proporzionale nel prezzo; se la mancanza di conformità è abbastanza considerevole, potrà chiedere la risoluzione del contratto di vendita.
- 1.5. La sostituzione o riparazione di alcune parti in virtù di questa garanzia, non darà luogo a un prolungamento del periodo di vigenza della stessa rispetto al Prodotto originale, ma le parti in questione avranno garanzia propria.
- 1.6. Affinché la presente garanzia sia valida, l'acquirente dovrà dimostrare la data d'acquisto nonché consegna del Prodotto.
- 1.7. Trascorsi sei mesi dalla consegna del Prodotto all'acquirente, nel caso in cui quest'ultimo allegli difetto di conformità del medesimo, dovrà dimostrare l'origine e l'esistenza del vizio in questione.
- 1.8. Il presente Certificato di Garanzia non costituisce limitazione o danno dei diritti che spettano ai consumatori, in virtù delle norme nazionali di carattere imperativo.

## 2. CONDIZIONI PARTICOLARI

- 2.1. Perché la presente garanzia sia valida, l'acquirente dovrà seguire strettamente le istruzioni del Fabbricante, incluse nella documentazione che accompagna il Prodotto, sempre che siano applicabili alla gamma e modello del medesimo.
- 2.2. Nel caso in cui si stabilisca un calendario per la sostituzione, manutenzione e pulizia di determinati pezzi ed elementi del Prodotto, la garanzia sarà valida solo se detto calendario sarà stato osservato in maniera corretta.

## 3. LIMITAZIONI

- 3.1. La presente garanzia sarà valida esclusivamente per le vendite realizzate ai consumatori, intendendo con il termine consumatore colui che acquista il Prodotto per fini che non rientrano nella sfera delle sue attività professionali.
- 3.2. La garanzia non copre in alcun modo l'usura normale, dovuta all'utilizzazione del prodotto. Per quanto riguarda pezzi, elementi e/o materiali deperibili o consumabili tipo chiusure meccaniche, cuscinetti, componenti a tenuta stagna, ci si atterrà a quanto previsto nella documentazione che accompagna il Prodotto, se del caso.
- 3.3. Restano esclusi dalla presente garanzia gli elementi accessori al prodotto che non vengono contemplati in maniera esplicita.
- 3.4. Sono coperti dalla garanzia i difetti del prodotto causati esclusivamente da materiali difettosi e/o dalla manodopera. La garanzia non copre i casi in cui il Prodotto: (I) sia stato oggetto di un trattamento non corretto; (II) sia stato installato, riparato, mantenuto o manipolato da una persona non autorizzata o (III) sia stato riparato o mantenuto con pezzi non originali. Restano esclusi dalla presente garanzia i danni causati da usi accidentali e non adeguati come uso in applicazioni diverse dal filtraggio dell'acqua nelle piscine.
- 3.5. Nel caso in cui la mancanza di conformità del Prodotto sia una conseguenza dell'installazione o dell'avviamento non corretto, la presente garanzia varrà solo se detta installazione o avviamento sono previsti nel contratto di compra-vendita del Prodotto e sono stati effettuati dal venditore o sotto la sua responsabilità.



# GARANTIE UND KUNDENBEDINGUNGEN

## 1. ALLGEMEINES

- 1.1. In Übereinstimmung mit diesen Bestimmungen garantiert der Verkäufer, dass das Astral Produkt, zu dem diese Garantie gehört ("das Produkt") zum Zeitpunkt der Übergabe nicht vertragswidrig ist.
- 1.2. Der Garantiezeitraum für das Produkt beträgt zwei (2) Jahre und beginnt mit der Übergabe des Produktes an den Käufer.
- 1.3. Falls das Produkt vertragswidrig ist und der Käufer dies dem Verkäufer innerhalb des Garantiezeitraumes mitteilt, muss der Verkäufer das Produkt an einem ihm geeignet scheinenden Ort auf eigene Kosten reparieren oder ersetzen, es sei denn, dass diese Abhilfen unmöglich oder unverhältnismäßig wären.
- 1.4. Für den Fall, dass das Produkt nicht repariert oder ersetzt werden kann, kann der Käufer eine angemessene Reduzierung des Kaufpreises oder, wenn die Vertragswidrigkeit schwerwiegend ist, die Auflösung des Kaufvertrags verlangen.
- 1.5. Die kraft dieser Garantie ersetzten oder reparierten Teile verlängern den Garantiezeitraum des Originalproduktes nicht, sie können jedoch über eine eigene Garantie verfügen.
- 1.6. Damit diese Garantie gültig ist, muss der Käufer das Kauf- und Übergabedatum des Produktes nachweisen können.
- 1.7. Wenn der Käufer nach Ablauf von mehr als sechs Monaten ab Übergabe des Produktes an ihn eine Vertragswidrigkeit dieses Produktes aufzeigt, muss er die Ursache und die Existenz des angeführten Defektes beweisen.
- 1.8. Dieses Garantiezertifikat schränkt die in den nationalen Rechtsnormen festgelegten zwingenden Rechte der Verbraucher nicht ein, und diese nationalen Normen bleiben von dieser Garantie unberührt.

## 2. SPEZIELLE BESTIMMUNGEN

- 2.1. Damit diese Garantie wirksam ist, muss der Käufer den Hinweisen des Herstellers, die in den mitgelieferten Produktunterlagen angeführt sind, Folge leisten, wenn diese Unterlagen, je nach Modell und Produktreihe, für das jeweilige Produkt gelten.
- 2.2. Wenn der Ersatz, die Wartung oder die Reinigung von gewissen Teilen und Komponenten des Produktes in bestimmten Zeitabständen durchgeführt werden müssen, so ist die Garantie nur dann gültig, wenn der genannte Zeitraum korrekt eingehalten worden ist.

## 3. EINSCHRÄNKUNGEN

- 3.1. Die vorliegende Garantie gilt nur dann, wenn das Produkt an Verbraucher veräußert wurde, wobei unter "Verbraucher" jene Person zu verstehen ist, die das Produkt zu solchen Zwecken erwirbt, die mit ihrer beruflichen Aktivität nichts zu tun haben.
- 3.2. Bei normalem Verschleiß aufgrund der Verwendung des Produktes wird keine Garantie gewährt. Wenn der Fall auftritt, geht in Verbindung mit Teilen, Komponenten und/oder Ersatz- oder Verbrauchsmaterialien, wie Schlössern, Lagern und Dichtungselementen das in den mitgelieferten Produktunterlagen Angeführte vor.
- 3.3. Die Zubehörelemente für das Produkt sind in der vorliegenden Garantie nicht eingeschlossen, außer wenn sie ausdrücklich angeführt sind.
- 3.4. Es fallen nur die Mängel unter die Garantie, die einzig und allein durch Materialdefekte und/oder Arbeitskräfte verursacht wurden. Die Garantie deckt die Fälle nicht ab, in denen das Produkt: (I) unsachgemäß verwendet, (II) von nicht autorisierten Personen installiert, repariert und gewartet oder manipuliert oder (III) mit nicht Originalteilen repariert oder gewartet wurde. Nicht von der Garantie abgedeckt sind die Defekte, die durch den versehentlichen oder unsachgemäßen Gebrauch entstehen, wie beispielsweise Verwendung in einem anderen Bereich, als dem der Wasserfiltration in Schwimmbädern.
- 3.5. Wenn die Vertragswidrigkeit des Produktes eine Folge der falschen Installation oder Inbetriebnahme ist, so ist die Garantie nur wirksam, wenn die genannte Installation oder Inbetriebnahme im Kaufvertrag des Produktes eingeschlossen ist und vom Verkäufer bzw. unter seiner Verantwortlichkeit vorgenommen wurde.

# GARANTIAS E CONDIÇÕES

## 1. ASPETOS GERAIS

- 1.1. De acordo com estas disposições, o vendedor garante que o produto Astral correspondente a esta garantia (“o Produto”) não apresenta nenhuma falta de conformidade no momento da sua entrega.
- 1.2. O Período de Garantia para o produto é de dois (2) anos e é calculado desde o momento da sua entrega ao comprador.
- 1.3. Se se produzir uma falta de conformidade do Produto e o comprador a notificar ao vendedor durante o Período de Garantia, o vendedor deverá reparar ou substituir o Produto à sua própria custa no lugar que considere oportuno, salvo se isso for impossível ou desproporcionado.
- 1.4. Quando não se possa reparar ou substituir o Produto, o comprador poderá pedir uma redução proporcional do preço ou, se a falta de conformidade é suficientemente importante, a resolução do contrato de venda.
- 1.5. As partes substituídas ou reparadas em virtude desta garantia não ampliarão o prazo da garantia do Produto original, embora disponham da sua própria garantia.
- 1.6. Para a efetividade da presente garantia, o comprador deverá acreditar a data de aquisição e entrega do Produto.
- 1.7. Quando tenham transcorrido mais de seis meses desde a entrega do Produto ao comprador e este alegue falta de conformidade daquele, o comprador deverá acreditar a origem e a existência do defeito alegado.
- 1.8. O presente Certificado de Garantia não limita ou pré-julga os direitos que correspondam aos consumidores em virtude de normas nacionais de carácter imperativo.

## 2. CONDIÇÕES PARTICULARES

- 2.1. Para a eficácia desta garantia, o comprador deverá seguir rigorosamente as indicações do Fabricante incluídas na documentação que acompanha o Produto, quando esta resulte aplicável segundo a gama e modelo do Produto.
- 2.2. Quando se especifique um calendário para a substituição, manutenção ou limpeza de certas peças ou componentes do Produto, a garantia só será válida quando se tenha seguido corretamente o referido calendário.

## 3. LIMITAÇÕES

- 3.1. A presente garantia só será de aplicação nas vendas realizadas a consumidores, entendendo-se por “consumidor”, aquela pessoa que adquire o Produto com fins que não entram no âmbito da sua atividade profissional.
- 3.2. Não se outorga nenhuma garantia a respeito do normal desgaste por uso do produto. Em relação com as peças, componentes e/ou materiais fungíveis ou consumíveis como fechos mecânicos rolamentos e elementos de estancidade se estarão de acordo com o disposto na documentação que acompanhe o Produto, no seu caso.
- 3.3. Ficam fora do alcance da presente garantia os elementos acessórios ao produto não incluídos explicitamente com ele.
- 3.4. Estão cobertas pela garantia as falhas no produto originadas única e exclusivamente por defeito de materiais e/ou mão de obra. A garantia não cobre aqueles casos em que o Produto: (I) tenha sido objecto de um tratamento incorreto; (II) tenha sido instalado, reparado, mantido ou manipulado por pessoa não autorizada ou (III) tenha sido reparado ou mantido com peças não originais. Fica fora do alcance da presente garantia as deteriorações originadas por usos acidentais ou inadequados como uso em aplicações diferentes da filtragem de água em piscinas.
- 3.5. Quando a falta de conformidade do Produto seja consequência de uma incorreta instalação ou início de funcionamento, a presente garantia só responderá quando a referida instalação ou início de funcionamento estiver incluída no contrato de compra-venda do Produto e tenha sido realizada pelo vendedor ou sob a sua responsabilidade.

## ΠΙΣΤΟΠΟΙΗΤΙΚΟ ΕΓΓΥΗΣΗΣ

### 1 ΓΕΝΙΚΑ ΧΑΡΑΚΤΗΡΙΣΤΙΚΑ

- 1.1 Σύμφωνα με αυτές τις διατάξεις, ο πωλητής εγγυάται ότι το προϊόν που αντιστοιχεί σε αυτή την εγγύηση (“το Προϊόν”) δεν παρουσιάζει έλλειψη συμμόρφωσης κατά τη στιγμή της παράδοσής του.
- 1.2 Η Περίοδος Εγγύησης για το Προϊόν είναι δύο (2) έτη και θα υπολογίζεται από τη στιγμή που θα παραδίδεται στον αγοραστή.
- 1.3 Σε περίπτωση που προκύψει έλλειψη συμμόρφωσης του Προϊόντος και ο αγοραστής ενημερώσει σχετικά τον πωλητή εντός της Περιόδου Εγγύησης, ο πωλητής θα πρέπει να επισκευάσει ή να αντικαταστήσει το Προϊόν επιβαρυνόμενος το κόστος και στον τόπο που κρίνει σκόπιμο, εκτός εάν αυτό είναι αδύνατο ή η απαίτηση του αγοραστή υπερβολική.
- 1.4 Όταν το προϊόν δεν μπορεί να επισκευασθεί ή να αντικατασταθεί, ο αγοραστής θα μπορεί να ζητήσει την ανάλογη μείωση της τιμής ή, εάν η έλλειψη συμμόρφωσης είναι σοβαρή, τη λύση της σύμβασης πώλησης.
- 1.5 Τα ανταλλακτικά που αντικαθίστανται ή επισκευάζονται δυνάμει αυτής της εγγύησης δεν θα παρατείνουν την περίοδο εγγύησης του αρχικού Προϊόντος, παρότι θα έχουν ίδια εγγύηση.
- 1.6 Για να ισχύει αυτή η εγγύηση, ο αγοραστής θα πρέπει να μπορεί να αποδείξει την ημερομηνία αγοράς και παράδοσης του Προϊόντος.
- 1.7 Εάν έχουν παρέλθει έξι μήνες από την παράδοση του Προϊόντος στον αγοραστή και αυτός ισχυρισθεί ότι υπάρχει έλλειψη συμμόρφωσης του Προϊόντος, θα πρέπει να αποδείξει την προέλευση και την ύπαρξη του φερόμενου ελαττώματος.
- 1.8 Αυτό το Πιστοποιητικό Εγγύησης δεν περιορίζει ή προδικάζει τα δικαιώματα που αντιστοιχούν στους καταναλωτές, δυνάμει των εθνικών κανονισμών υποχρεωτικής τήρησης.

### 2 ΕΙΔΙΚΟΙ ΟΡΟΙ

- 2.1 Για να καταστεί αποτελεσματική αυτή η εγγύηση, ο αγοραστής οφείλει να ακολουθεί αυστηρά τις οδηγίες του Κατασκευαστή, οι οποίες συμπεριλαμβάνονται στα έγγραφα που συνοδεύουν το Προϊόν και που θα ισχύουν σύμφωνα με τη σειρά και το μοντέλο του Προϊόντος.
- 2.2 Όταν έχει καθοριστεί ένα χρονοδιάγραμμα για την αντικατάσταση, τη συντήρηση ή τον καθαρισμό ορισμένων ανταλλακτικών ή εξαρτημάτων του Προϊόντος, η εγγύηση θα ισχύει μόνο όταν έχει τηρηθεί σωστά αυτό το χρονοδιάγραμμα.

### 3 ΠΕΡΙΟΡΙΣΜΟΙ

- 3.1 Αυτή η εγγύηση θα ισχύει μόνο για τις απευθείας πωλήσεις στους καταναλωτές, και “καταναλωτής” θεωρείται αυτός που αγοράζει το Προϊόν για σκοπούς που δεν εμπίπτουν στο πεδίο της επαγγελματικής του δραστηριότητας.
- 3.2 Δεν παρέχεται καμία εγγύηση σχετικά με τη φυσιολογική φθορά του προϊόντος λόγω χρήσης. Σε ό,τι αφορά τα ανταλλακτικά, τα εξαρτήματα ή/και τα ανάλωμα όπως μπαταρίες, λαμπτήρες κ.λπ., θα εφαρμόζονται οι διατάξεις των εγγράφων που συνοδεύουν το Προϊόν, κατά περίπτωση.
- 3.3 Δεν συμπεριλαμβάνονται στην παρούσα εγγύηση εξαρτήματα που δεν συνοδεύουν από κατασκευής το προϊόν.
- 3.4 Η εγγύηση καλύπτει ελαττώματα του προϊόντος που οφείλονται αποκλειστικά σε ελαττωματικά υλικά ή/και λάθη του εργατικού δυναμικού. Η εγγύηση δεν καλύπτει τις περιπτώσεις κατά τις οποίες το Προϊόν: (I) υπέστη ακατάλληλη μεταχείριση, (II) η εγκατάσταση, η επισκευή, η συντήρηση ή ο χειρισμός τους έγιναν από μη εξουσιοδοτημένο προσωπικό, ή (III) επισκευάσθηκε ή συντηρήθηκε με μη γνήσια ανταλλακτικά. Ομοίως, η παρούσα εγγύηση δεν καλύπτει βλάβες που προκλήθηκαν από τυχόν λανθασμένη ή ακατάλληλη χρήση, όπως η χρήση σε εφαρμογές διαφορετικές της φιλτρανσης νερού σε πισίνες ή άλλη μη προβλεπόμενη χρήση.
- 3.5 Όταν η έλλειψη συμμόρφωσης του Προϊόντος είναι συνέπεια μη σωστής εγκατάστασης ή θέσης σε λειτουργία, η παρούσα εγγύηση θα ισχύει μόνο στην περίπτωση που η εν λόγω εγκατάσταση ή θέση σε λειτουργία συμπεριλαμβάνεται στη σύμβαση αγοραπωλησίας του Προϊόντος και έγινε από τον πωλητή ή με δική του ευθύνη.



**CODE:**

**41910 – 69829 – 61423AS55001 – 41479 – 69831 – 69832**  
**V-007/20 to V-725/17 – C-XXX/XX**

**EVIDENCE OF CONFORMITY / DÉCLARATION DE CONFORMITÉ / DECLARACIÓN CONFORMIDAD / DICHIARAZIONE DI CONFORMITA / KONFORMITÄTSERKLÄRUNG / DECLARAÇÃO DE CONFORMIDADE / ΔΗΛΩΣΗ ΣΥΜΜΟΡΦΩΣΗΣ**

- Declares under their own responsibility that all the products: **RAMSES, RAMSES UP, KEOPS & KEFREN, Single-phase and Three-phase**. Manufactured since 03/10/2019, independent of the serial number, are in compliance with:
  - 2006/42/EC Machine Directive prescriptions
  - 2014/35/EU Low voltage directive
  - 2000/14/EC Noise emission directive
  - EN 60335-1:2012/A2:2019
  - EN 60335-2-41:2003/A2:2010
  - EN 62233:2008 EMF measurement of home appliance (human exposure)
  - EN 50581:2012 / EN 63000:2018 RoHS III technical documentation
  - 1907/2006/EC REACH
- Déclare sous sa seule responsabilité que tous les produits: **RAMSES, RAMSES UP, KEOPS & KEFREN, Monophasée et Triphasée**. Fabriquées à partir du 03/10/2019, indépendamment du numéro de série, sont conformes avec:
  - Directive de sécurité de machines 2006/42/EC
  - Directive d'équipements de basse tension 2014/35/EU
  - Directive d'émission sonore 2000/14/EC
  - EN 60335-1:2012/A2:2019
  - EN 60335-2-41:2003/A2:2010
  - EN 62233:2008 Mesures des champs EM des appareils électrodomestiques (humaine exposition)
  - Documentation technique normes EN 50581:2012 / EN 63000:2018 RoHS III
  - 1907/2006/EC REACH
- Declara bajo su única responsabilidad que todos los productos del tipo: **RAMSES, RAMSES UP, KEOPS & KEFREN, Monofásicas y Trifásicas**. Producidas a partir del 03/10/2019, independientemente del número de serie, son conformes con:
  - Directiva de seguridad de máquinas 2006/42/CE
  - Directiva de equipos de baja tensión 2014/35/EU
  - Directiva de emisión sonora 2000/14/CE
  - EN 60335-1:2012/A2:2019
  - EN 60335-2-41:2003/A2:2010
  - EN 62233:2008 Medida CEM de electrodomésticos (exposición humana)
  - EN 50581:2012 / EN 63000:2018 RoHS III documentación técnica
  - 1907/2006/EC REACH
- Dichiaro sotto la sua diretta responsabilità che tutti i prodotti del tipo: **RAMSES, RAMSES UP, KEOPS & KEFREN, Monofase e Trifase**. Prodotte a partire dal 03/10/2019, indipendentemente dal numero di serie, sono conformi a:
  - Direttiva sulla sicurezza delle macchine 2006/42/EC
  - Direttiva apparecchiatura in bassa tensione 2014/35/EU
  - Direttiva sulle emissioni sonore 2000/14/EC
  - EN 60335-1:2012/A2:2019
  - EN 60335-2-41:2003/A2:2010
  - EN 62233:2008 Misurazione dei CEM di apparecchi domestici (esposizione umana)
  - EN 50581:2012 / EN 63000:2018 RoHS III Documentazione tecnica
  - 1907/2006/EC REACH
- Bescheinigt in alleiniger Verantwortung, dass alle Artikel: **RAMSES, RAMSES UP, KEOPS & KEFREN, Einphasig und Dreiphasig**. Ab 03/10/2019, produziert wurden, unabhängig von der Seriennummer, konform sind mit:
  - Richtlinie 2006/42/EWG über die Sicherheit von Maschinen
  - Richtlinie 2014/35/EWG über die Sicherheit von elektrischen Betriebsmitteln (Niederspannungsrichtlinie)
  - Richtlinie 2000/14/EWG über Geräusch emissionen.
  - EN 60335-1:2012/A2:2019
  - EN 60335-2-41:2003/A2:2010
  - EN 62233:2008 Messung der EMF von Haushaltgeräten (Exposition von Personen)
  - EN 50581:2012 / EN 63000:2018 RoHS III Technische Documentation
  - 1907/2006/EC REACH
- Declara sob sua única responsabilidade que todos os produtos: **RAMSES, RAMSES UP, KEOPS & KEFREN, Monofásicas e Trifásicas**. Produzidas a partir de 03/10/2019, independentemente do número de série, são conformes com:
  - Directiva de segurança de máquinas 2006/42/EC
  - Directiva de equipamentos de baixa tensão 2014/35/EU
  - Directiva de emissão sonora 2000/14/EC
  - EN 60335-1:2012/A2:2019
  - EN 60335-2-41:2003/A2:2010
  - EN 62233:2008 Medição EMC de eletrodomésticos (exposição humana)
  - EN 50581:2012 / EN 63000:2018 Documentação técnica RoHS III
  - 1907/2006/EC REACH
- Δηλώνω υπευθύνως ότι όλα τα προϊόντα τύπου: **RAMSES, RAMSES UP, KEOPS & KEFREN, Μονοφασικά και Τριφασικά**. Παραχθέντα από 03/10/2019, ανεξαρτήτως αριθμού σειράς, συμμορφώνονται με τις κάτωθι οδηγίες:
  - Οδηγία ασφάλειας μηχανών 2006/42/EK
  - Οδηγία εξοπλισμού χαμηλής τάσης 2014/35/EK
  - Οδηγία ηχητικής εκπομπής 2000/14/EK
  - EN 60335-1: 2012/A2:2019
  - EN 60335-2-41/A1:2012
  - EN 62233:2008 Μέτρηση της ηλεκτρομαγνητικής συμβατότητας των οικιακών συσκευών.
  - Τεχνική τεκμηρίωση EN 50581 / EN 63000 RoHS III
  - 1907/2006/EC REACH

Signed the present conformity evidence / Signe la présente déclaration / Firma la presente declaración / Firma la seguente dichiarazione / Unterzeichnet diese Erklärung / Assina a presente declaração / πογράφει την παρούσα δήλωση:

Polinyà, 02/04/2021

Signature / Firma / Unterschrift / Handtekening / Assinatura / Υπογραφή

**Josep Pausas Ginesta**, Managing Director of Inquide, S.A.U.

Article	Article number	Housing unit	Pump	Filter	Electrolysis
RAMSES COMPACT HOUSING ASTER 550 1HP	41910	RAMSES	SENA 1hp	ASTER 550 T/Z	-
RAMSES COMPACT HOUSING MILLENIUM 560 SENNA 1HP	69829	RAMSES	SENA 1 HP	MILLENIUM 560 T/Z	-
RAMSES UP COMPACT HOUSING ASTER 550 SENNA 1HP	61423AS55001	RAMSES UP	SENA 1 HP	ASTER 550 T/Z	-
KEOPS COMPACT HOUSING ASTER 600 VICTORIA PLUS 1HP	41479	KEOPS	VICTORIA PLUS SILENT 1HP	ASTER 600 T/N	-
KEOPS COMPACT HOUSING ASTER 600 VICTORIA PLUS 1HP ELECTROLYSIS	69831	KEOPS	VICTORIA PLUS SILENT 1HP	ASTER 600 T/N	ELECTROLYSIS COMPACT-100
KEOPS COMPACT HOUSING CANTABRIC 600 VICTORIA PLUS 1HP ELECTROLYSIS	69832	KEOPS	VICTORIA PLUS SILENT 1HP	CANTABRIC 600	ELECTROLYSIS COMPACT-100
*See electrical specifications on the pump's label					

Article	N° d'article	Local	Pompe	Filtre	Électrolyse
LOCAL TECHNIQUE RAMSES ASTER 550 1 CV	41910	RAMSES	SENA 1CV	ASTER 550 T/Z	-
LOCAL TECHNIQUE RAMSES MILLENIUM 560 SENA 1CV	69829	RAMSES	SENA 1 CV	MILLENIUM 560 T/Z	-
LOCAL TECHNIQUE RAMSES UP ASTER 550 SENNA 1CV	61423AS55001	RAMSES UP	SENA 1 CV	ASTER 550 T/Z	-
LOCAL TECHNIQUE KEOPS ASTER 600 VICTORIA PLUS 1CV	41479	KEOPS	VICTORIA PLUS SILENT 1CV	ASTER 600 T/N	-
LOCAL TECHNIQUE KEOPS ASTER 600 VICTORIA PLUS 1CV ÉLECTROLYSE	69831	KEOPS	VICTORIA PLUS SILENT 1CV	ASTER 600 T/N	ÉLECTROLYSE COMPACT-100
LOCAL TECHNIQUE KEOPS CANTABRIC 600 VICTORIA PLUS 1CV ÉLECTROLYSE	69832	KEOPS	VICTORIA PLUS SILENT 1CV	CANTABRIC 600	ÉLECTROLYSE COMPACT-100
* Voir éléments électriques de la pompe sur l'étiquette du produit					

Artículo	N° Artículo	Caseta	Bomba	Filtro	Electrólisis
CASETA ENTERRADA RAMSES ASTER 550 1 CV	41910	RAMSES	SENA 1CV	ASTER 550 T/Z	-
CASETA ENTERRADA RAMSES MILLENIUM 560 SENNA 1CV	69829	RAMSES	SENA 1 CV	MILLENIUM 560 T/Z	-
CASETA ELEVADA RAMSES UP ASTER 550 SENNA 1 CV	61423AS55001	RAMSES UP	SENA 1 CV	ASTER 550 T/Z	-
CASETA ENTERRADA KEOPS ASTER 600 VICTORIA PLUS 1CV	41479	KEOPS	VICTORIA PLUS SILENT 1CV	ASTER 600 T/N	-
CASETA ENTERRADA KEOPS ASTER 600 VICTORIA PLUS 1CV ELECTROLISIS	69831	KEOPS	VICTORIA PLUS SILENT 1CV	ASTER 600 T/N	ELECTROLISIS COMPACT-100
CASETA ENTERRADA KEOPS CANTABRIC 600 VICTORIA PLUS 1CV ELECTROLISIS	69832	KEOPS	VICTORIA PLUS SILENT 1CV	CANTABRIC 600	ELECTROLISIS COMPACT-100
* Ver detalles eléctricos de la bomba en la etiqueta del producto					

Prodotto	N° de Prodotto	Locali	Pompa	Filtro	Elettrolisi
LOCALI TECNICI COMPATTI RAMSES ASTER 550 1 CV	41910	RAMSES	SENA 1CV	ASTER 550 T/Z	-
LOCALI TECNICI COMPATTI RAMSES MILLENNIUM 560 SENA 1CV	69829	RAMSES	SENA 1 CV	MILLENNIUM 560 T/Z	-
LOCALI TECNICI COMPATTI RAMSES UP ASTER 550 SENA 1CV	61423AS55001	RAMSES UP	SENA 1 CV	ASTER 550 T/Z	-
LOCALI TECNICI COMPATTI KEOPS ASTER 600 VICTORIA PLUS 1CV	41479	KEOPS	VICTORIA PLUS SILENT 1CV	ASTER 600 T/N	-
LOCALI TECNICI COMPATTI KEOPS ASTER 600 VICTORIA PLUS 1CV ELETTROLISI	69831	KEOPS	VICTORIA PLUS SILENT 1CV	ASTER 600 T/N	ELETTROLISI COMPACT-100
LOCALI TECNICI COMPATTI KEOPS CANTABRIC 600 VICTORIA PLUS 1CV ELETTROLISI	69832	KEOPS	VICTORIA PLUS SILENT 1CV	CANTABRIC 600	ELETTROLISI COMPACT-100

\* Si vedano le specifiche elettriche della pompa indicate sulla targhetta del prodotto

Artikel	Artikelnummer	Filterkasten	Pumpe	Filter	Elektrolyse
RAMSES KOMPAKTE FILTERKASTEN ASTER 550 1 CV	41910	RAMSES	SENA 1CV	ASTER 550 T/Z	-
RAMSES KOMPAKTE FILTERKASTEN MILLENNIUM 560 SENA 1CV	69829	RAMSES	SENA 1 CV	MILLENNIUM 560 T/Z	-
KOMPAKTE FILTERKASTEN RAMSES UP ASTER 550 SENA 1CV	61423AS55001	RAMSES UP	SENA 1 CV	ASTER 550 T/Z	-
KEOPS KOMPAKTE FILTERKASTEN ASTER 600 VICTORIA PLUS 1CV	41479	KEOPS	VICTORIA PLUS SILENT 1CV	ASTER 600 T/N	-
KEOPS KOMPAKTE FILTERKASTEN ASTER 600 VICTORIA PLUS 1CV ELEKTROLYSE	69831	KEOPS	VICTORIA PLUS SILENT 1CV	ASTER 600 T/N	ELEKTROLYSE COMPACT-100
KEOPS KOMPAKTE FILTERKASTEN CANTABRIC 600 VICTORIA PLUS 1CV ELEKTROLYSE	69832	KEOPS	VICTORIA PLUS SILENT 1CV	CANTABRIC 600	ELEKTROLYSE COMPACT-100

\*Siehe Angaben zur Elektrik der Pumpe auf dem Produktetikett

Item	N° do item	Caixa	Bomba	Filtro	Eletrólise
CAIXA ENTERRADA RAMSES ASTER 550 1 CV	41910	RAMSES	SENA 1CV	ASTER 550 T/Z	-
CAIXA ENTERRADA RAMSES MILLENNIUM 560 SENA 1CV	69829	RAMSES	SENA 1 CV	MILLENNIUM 560 T/Z	-
CAIXA ELEVADA RAMSES UP ASTER 550 SENA 1CV	61423AS55001	RAMSES UP	SENA 1 CV	ASTER 550 T/Z	-
CAIXA ENTERRADA KEOPS ASTER 600 VICTORIA PLUS 1CV	41479	KEOPS	VICTORIA PLUS SILENT 1CV	ASTER 600 T/N	-
CAIXA ENTERRADA KEOPS ASTER 600 VICTORIA PLUS 1CV ELETRÓLISE	69831	KEOPS	VICTORIA PLUS SILENT 1CV	ASTER 600 T/N	ELETRÓLISE COMPACT-100
CAIXA ENTERRADA KEOPS CANTABRIC 600 VICTORIA PLUS 1CV ELETRÓLISE	69832	KEOPS	VICTORIA PLUS SILENT 1CV	CANTABRIC 600	ELETRÓLISE COMPACT-100

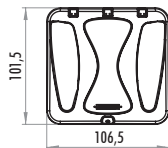
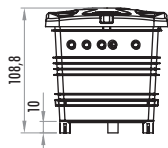
\* Consultar as especificações elétricas da bomba na etiqueta do produto

Είδος	Αρ. είδους	Θάλαμος	Αντλία	Φίλτρο	Ηλεκτρόλυση
ΥΠΟΓΕΙΟΣ ΘΑΛΑΜΟΣ RAMSES ASTER 550 1 CV	41910	RAMSES	SENA 1hp	ASTER 550 T/Z	-
ΥΠΟΓΕΙΟΣ ΘΑΛΑΜΟΣ RAMSES MILLENIUM 560 SENA 1CV	69829	RAMSES	SENA 1 HP	MILLENIUM 560 T/Z	-
ΥΠΕΡΓΕΙΟΣ ΘΑΛΑΜΟΣ RAMSES UP ASTER 550 SENA 1 CV	61423AS55001	RAMSES UP	SENA 1 HP	ASTER 550 T/Z	-
ΥΠΟΓΕΙΟΣ ΘΑΛΑΜΟΣ ΚΕΟΡS ASTER 600 VICTORIA PLUS 1CV	41479	ΚΕΟΡS	VICTORIA PLUS SILENT 1HP	ASTER 600 T/N	-
ΥΠΟΓΕΙΟΣ ΘΑΛΑΜΟΣ ΚΕΟΡS ASTER 600 VICTORIA PLUS 1CV ΗΛΕΚΤΡΟΛΥΣΗ	69831	ΚΕΟΡS	VICTORIA PLUS SILENT 1HP	ASTER 600 T/N	ELECTROLYSIS COMPACT-100
ΥΠΟΓΕΙΟΣ ΘΑΛΑΜΟΣ ΚΕΟΡS CANTABRIC 600 VICTORIA PLUS 1CV ΗΛΕΚΤΡΟΛΥΣΗ	69832	ΚΕΟΡS	VICTORIA PLUS SILENT 1HP	CANTABRIC 600	ELECTROLYSIS COMPACT-100
*Βλ. Ηλεκτρικές λεπτομέρειες της αντλίας στην ετικέτα του προϊόντος					

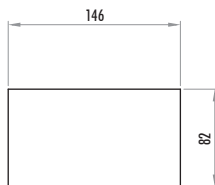
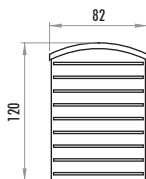
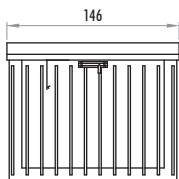


**TECHNICAL SPECIFICATIONS**  
**RENSEIGNEMENTS TECHNIQUES**  
**CARACTERÍSTICAS TÉCNICAS**  
**DATI TECNICI**  
**TECHNISCHE DATEN**  
**CARACTERÍSTICAS TÉCNICAS**  
**ΤΕΧΝΙΚΑ ΧΑΡΑΚΤΗΡΙΣΤΙΚΑ**

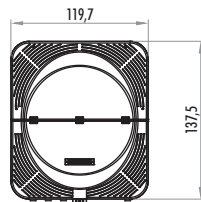
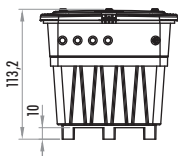
**RAMSES**



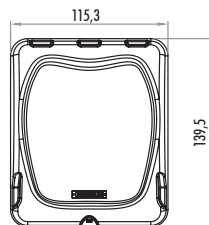
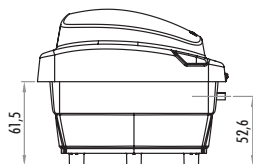
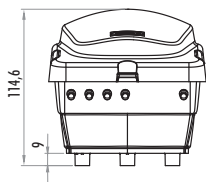
**RAMSES UP**



**KEOPS**



**KEFREN**





### **Recycling**

This symbol is required by European Community Directive 2012/19/UE on WEEE (Waste Electrical and Electronic Equipment) and means that your appliance must not be thrown into a normal bin. It will be selectively collected for the purpose of reuse, recycling or transformation. Any substances it may contain which are potentially dangerous to the environment shall be eliminated or neutralized. Request information on recycling procedures from your retailer.

### **Recyclage**

Ce symbole est requis par la Directive de la Communauté Européenne 2012/19 / UE sur les DEEE (Déchets d'Équipements Électriques et Électroniques) et signifie que votre appareil ne doit pas être jeté dans une poubelle normale. Il sera collecté de manière sélective à des fins de réutilisation, de recyclage ou de transformation. Toutes les substances qu'il peut contenir et qui sont potentiellement dangereuses pour l'environnement doivent être éliminées ou neutralisées. Demandez des informations sur les procédures de recyclage à votre revendeur.

### **Reciclaje**

Este símbolo es exigido por la Directiva 2012/19/UE de la Comunidad Europea sobre RAEE (residuos de aparatos eléctricos y electrónicos) e indica que no se debe tirar el aparato al contenedor normal. Habrá que realizar una recogida selectiva con el fin de reutilizarlo, reciclarlo o transformarlo y de eliminar o neutralizar cualquier sustancia que pueda contener y sea potencialmente peligrosa para el medio ambiente. Pida información sobre los procesos de reciclaje en su punto de venta.

### **Riciclaggio**

Questo simbolo è richiesto dalla Direttiva della Comunità Europea n. 2012/19/UE sui rifiuti di apparecchiature elettriche ed elettroniche (RAEE) e indica che il dispositivo acquistato non deve essere gettato in un normale cestino. Sarà invece oggetto di raccolta differenziata a scopo di riutilizzo, riciclaggio o trasformazione. Qualora il medesimo contenesse delle sostanze potenzialmente nocive per l'ambiente occorre eliminarle o neutralizzarle. Per ulteriori informazioni sulle procedure di riciclaggio rivolgersi al proprio rivenditore.

### **Recycling**

Dieses Symbol ist nach der Richtlinie der Europäischen Gemeinschaft 2012/19/UE über WEEE (Elektro- und Elektronikgeräte-Abfall) vorgeschrieben und bedeutet, dass Ihr Gerät nicht über den Hausmüll entsorgt werden darf. Es wird für seine Wiederverwendung, Recycling oder Umwandlung getrennt gesammelt. Jegliche eventuell darin enthaltenen potenziell umweltgefährdende Stoffe müssen entsorgt oder neutralisiert werden. Ihr Händler kann Sie über Recyclingverfahren informieren.

### **Reciclagem**

Este símbolo é exigido pela Diretiva da Comunidade Europeia 2012/19/UE relativa aos REEE (Resíduos de Equipamentos Eléctricos e Eletrónicos) e indica que o seu aparelho não deve ser descartado juntamente com o lixo urbano. Será recolhido seletivamente para fins de reutilização, reciclagem ou transformação. Quaisquer substâncias potencialmente nocivas para o meio ambiente que contenham devem ser eliminadas ou neutralizadas. Solicite mais informações sobre os procedimentos de reciclagem ao seu distribuidor.

### **Ανακύκλωση**

Το σύμβολο αυτό απαιτείται σύμφωνα με την Οδηγία της Ευρωπαϊκής Κοινότητας 2012/19/UE σχετικά με τα Απόβλητα ηλεκτρικού και ηλεκτρονικού εξοπλισμού (WEEE) και σημαίνει ότι η συσκευή σας δεν πρέπει να απορριφθεί σε συμβατικό κάδο απορριμμάτων. Θα συλλεχθεί με ειδικό τρόπο, με σκοπό την εκ νέου χρήση, την ανακύκλωση ή τον μετασχηματισμό. Οι ουσίες που μπορεί να περιέχει, οι οποίες είναι δυνητικά επικίνδυνες για το περιβάλλον, πρέπει να εξαιρεθούν ή να εξουδετερωθούν. Ζητήστε πληροφορίες σχετικά με τις διαδικασίες ανακύκλωσης από το κατάστημα λιανικής πώλησης.



## 69829-0008 / Rev. 02

---

- We reserve the right to totally or partially change our products' features or the content of this document without prior warning.
- Nous nous réservons le droit de modifier tout ou en partie les caractéristiques de nos articles ou le contenu de ce document sans avis préalable.
- Nos reservamos el derecho de cambiar total o parcialmente las características de nuestros artículos o contenido de este documento sin previo aviso.
- Ci riserviamo il diritto di cambiare totalmente o parzialmente le caratteristiche tecniche dei nostri prodotti ed il contenuto di questo documento senza nessun preavviso.
- Wir behalten uns das Recht vor, die Merkmale unserer Produkte und den Inhalt dieser Beschreibung ohne vorherige Unkündigung ganz oder teilweise zu ändern.
- Reservamo-nos o direito de alterar total ou parcialmente as características dos nossos artigos ou o conteúdo deste documento sem aviso prévio.
- Διατηρούμε το δικαίωμα να τροποποιήσουμε εν όλω ή εν μέρει τα χαρακτηριστικά των ειδών μας ή το περιεχόμενο αυτού του εγγράφου, χωρίς προηγούμενη ειδοποίηση.